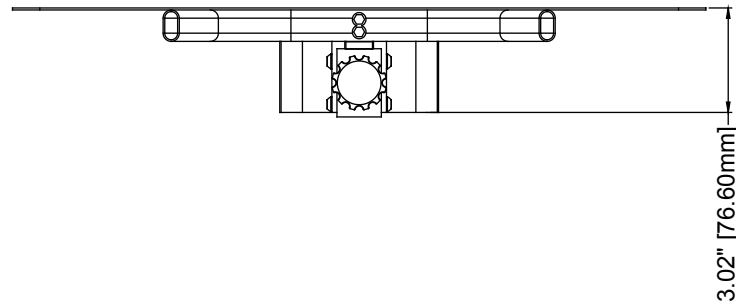
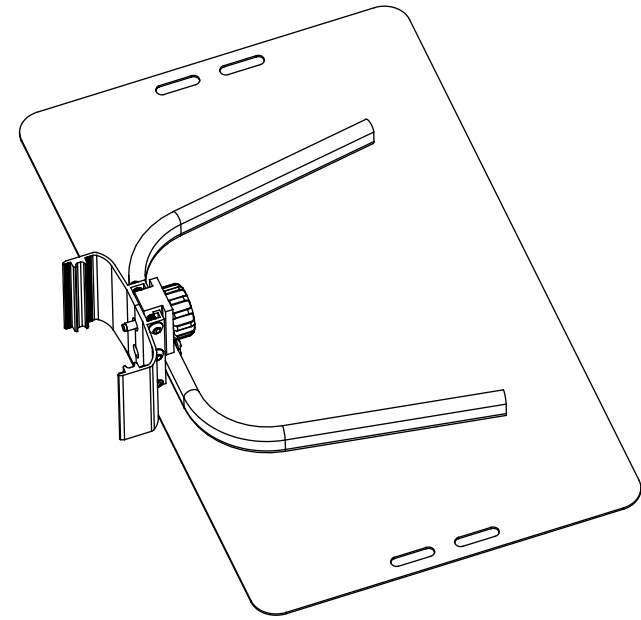
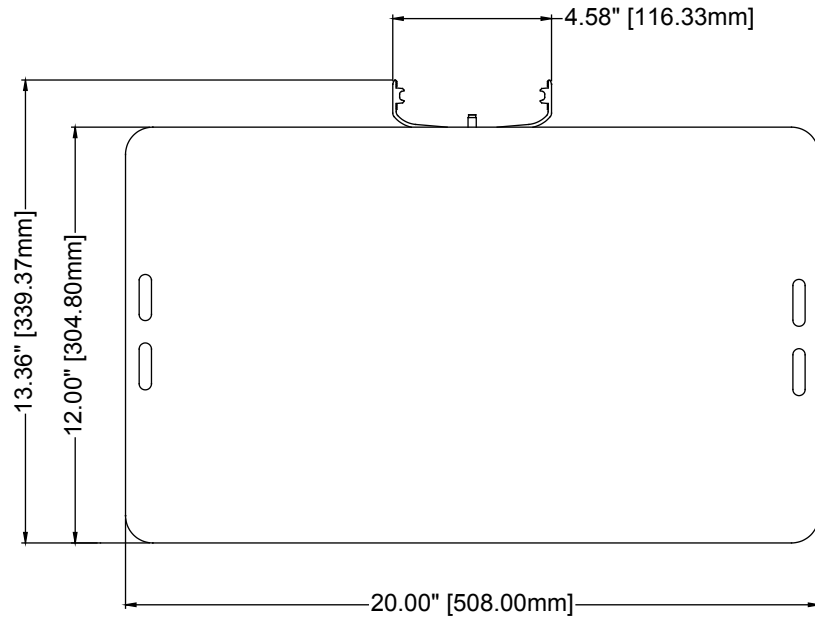


Maximum load rating: 50 lbs



THE INFORMATION CONTAINED IN THIS DRAWING IS THE SOLE PROPERTY OF CRIMSON AV LLC. ANY REPRODUCTION IN PART OR AS A WHOLE WITHOUT THE WRITTEN PERMISSION OF CRIMSON AV LLC IS PROHIBITED



CRIMSON AV LLC.

PRODUCT ORDER NUMBER: **MSM**
PHONE: 1-866-668-6888

Scale: 1:1

Crimson AV LLC. www.crimsonav.com	
TITLE:	MSM
SIZE DWG.N.O.	MSM