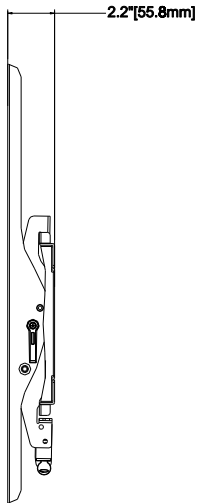
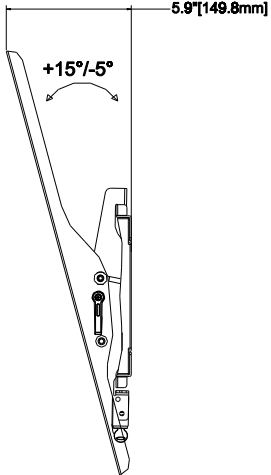
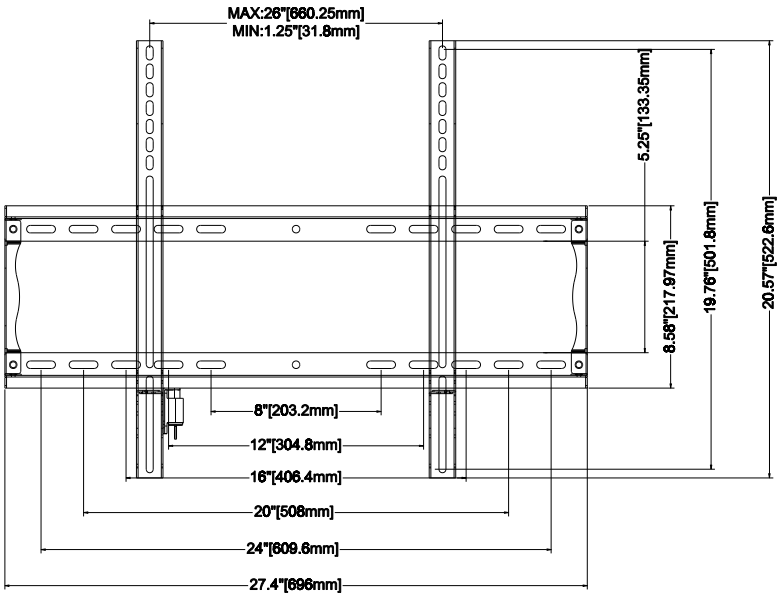
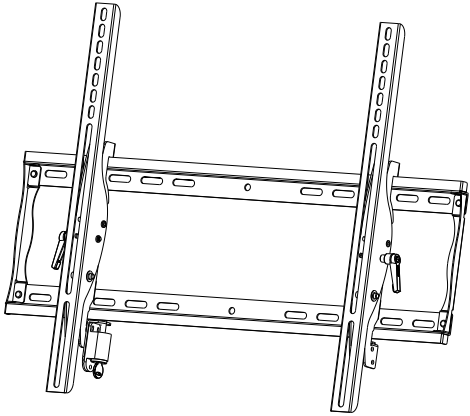


Maximum load rating: 200 lbs



THE INFORMATION CONTAINED IN THIS DRAWING IS THE SOLE PROPERTY OF CRIMSON AV LLC. ANY REPRODUCTION IN PART OR AS A WHOLE WITHOUT THE WRITTEN PERMISSION OF CRIMSON AV LLC IS PROHIBITED

CRIMSON AV LLC.
PRODUCT ORDER NUMBER: T55L
PHONE: 1-866-668-6888

Crimson AV LLC. www.crimsonav.com	
TITLE: T55L	
SIZE B	DWG.NO. T55L

Scale=1:1