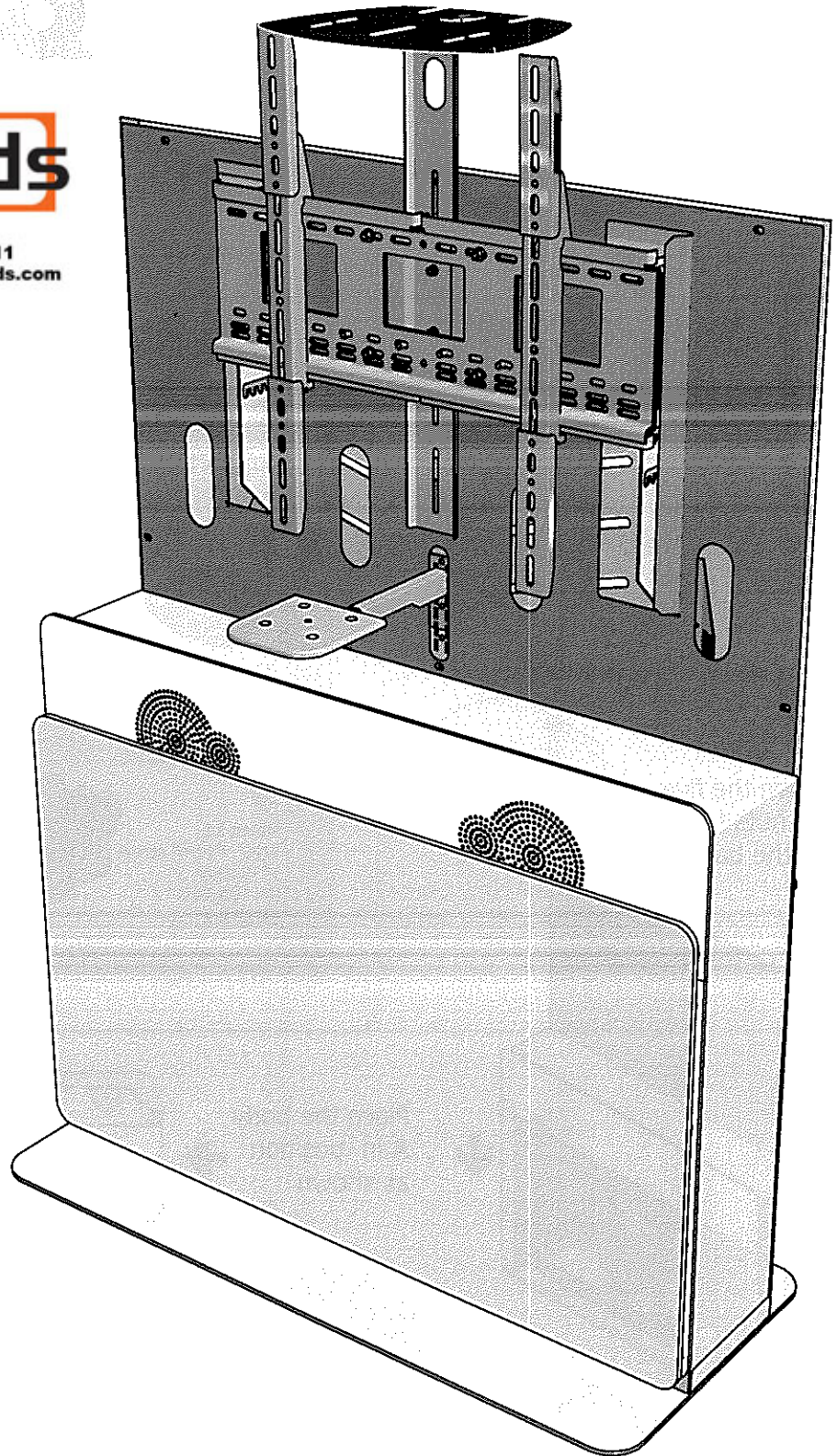


AVTEQ

Easy Setup™

Touchboards

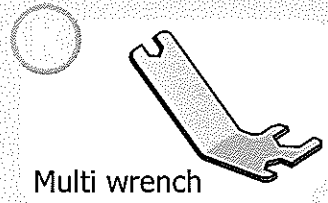
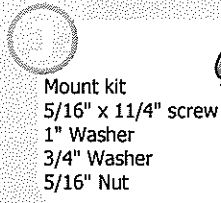
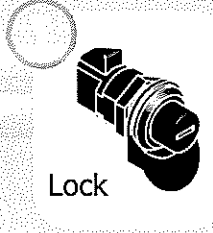
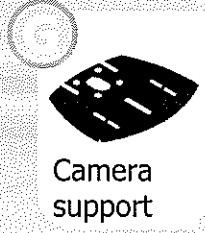
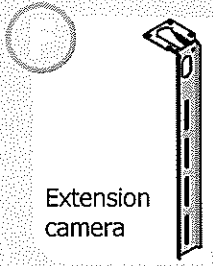
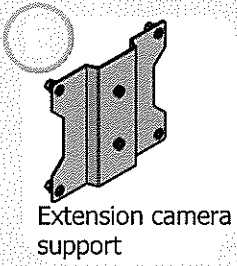
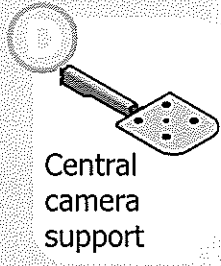
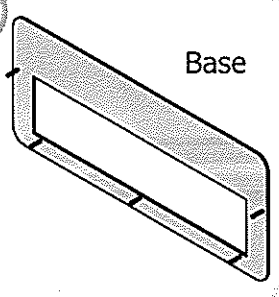
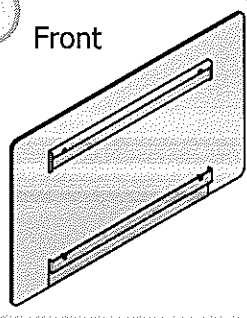
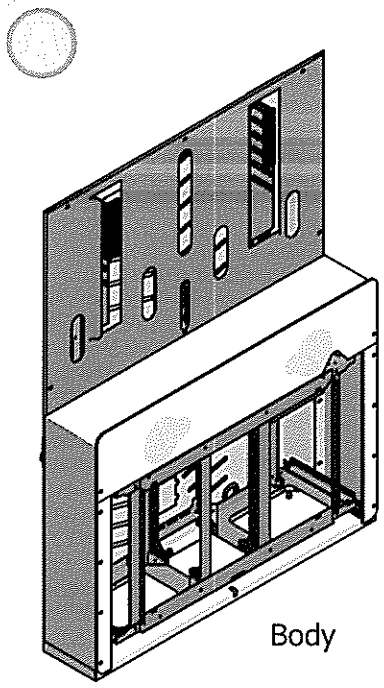
205 Westwood Ave, Long Branch, NJ 07740
Phone: 866-94 BOARDS (26273) / (732)-222-1511
Fax: (732)-222-7088 | E-mail: sales@touchboards.com



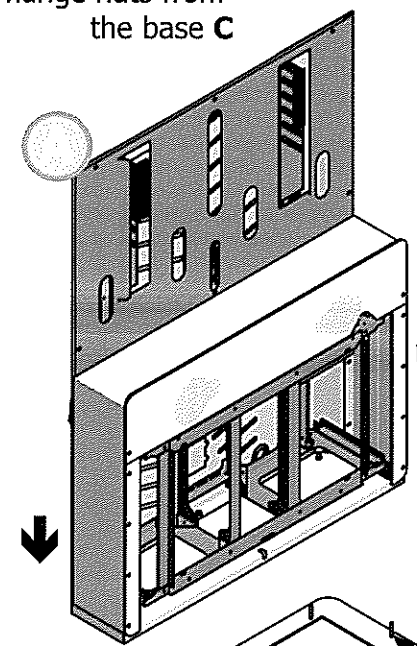
AVTEQ

Items not included:
- Phillips screw driver

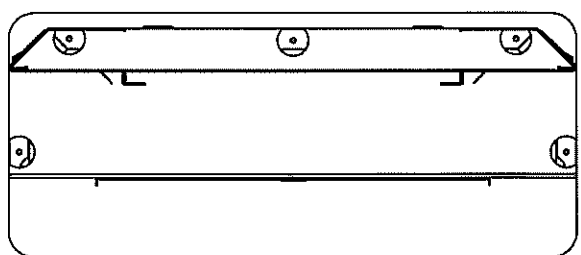
Items included



1
Remove the five flange nuts from the base C

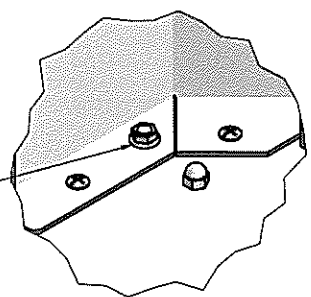


Place the body A in position as shown

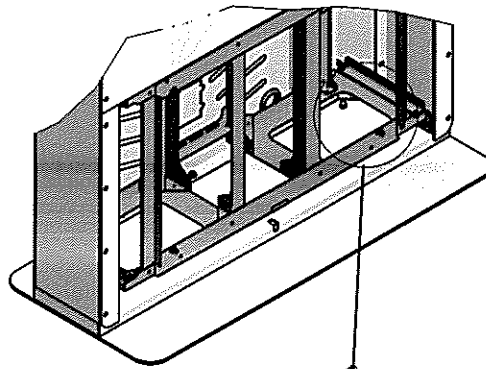
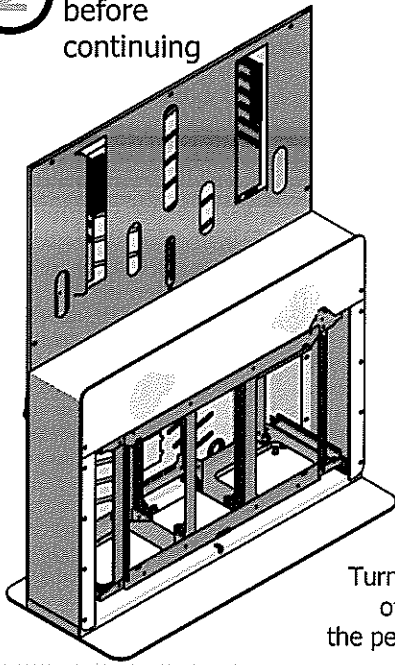


Align the base bolts with the lower body holes

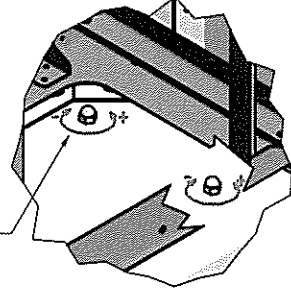
Tighten the five flange nuts



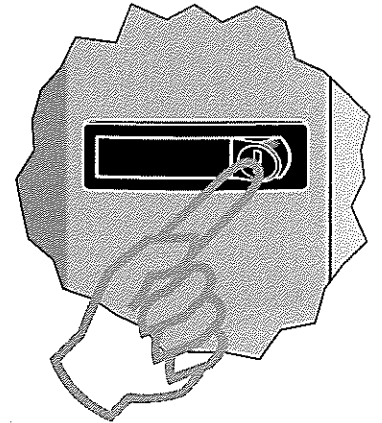
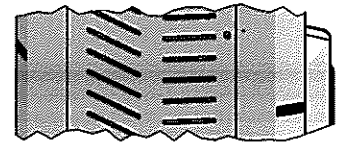
2 Level the ELT 2000 before continuing



Turn the blind nuts of the base until the pedestal is steady

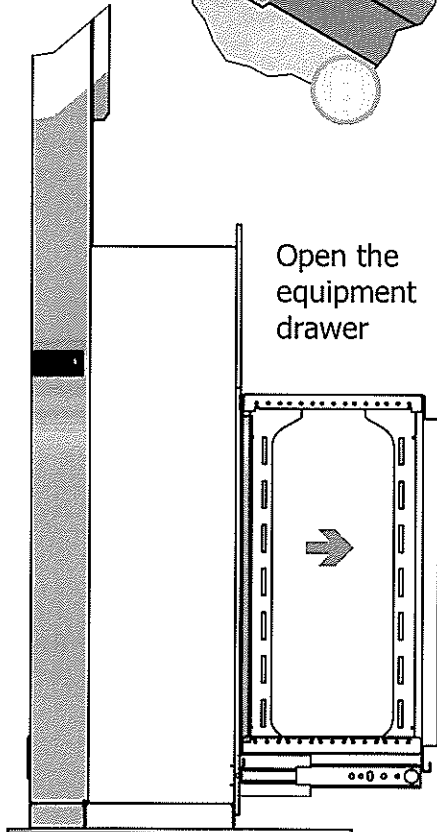
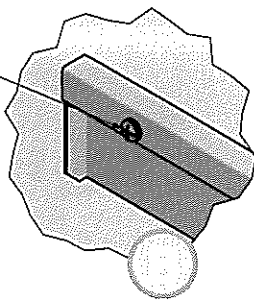


To open the rack drawer unlock the two side latches by pressing the key hole button

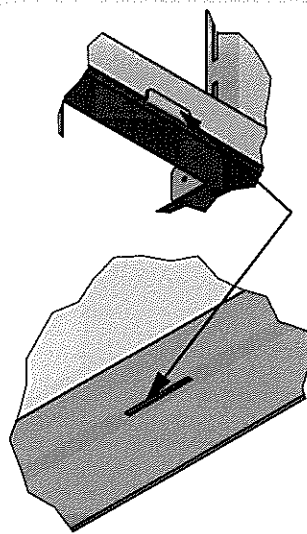


3

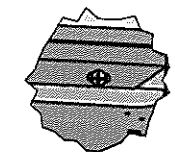
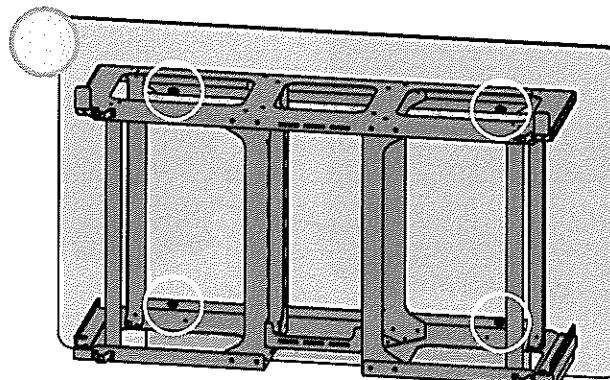
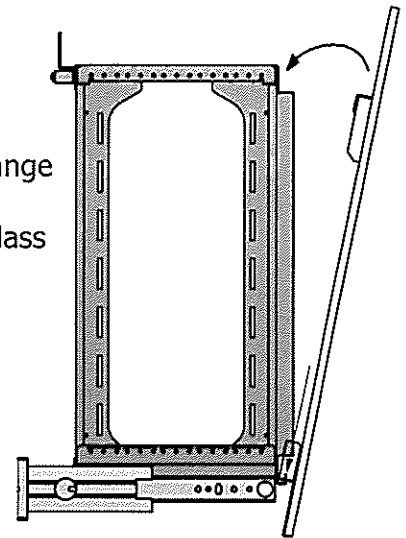
Remove the four screws from the glass **B**



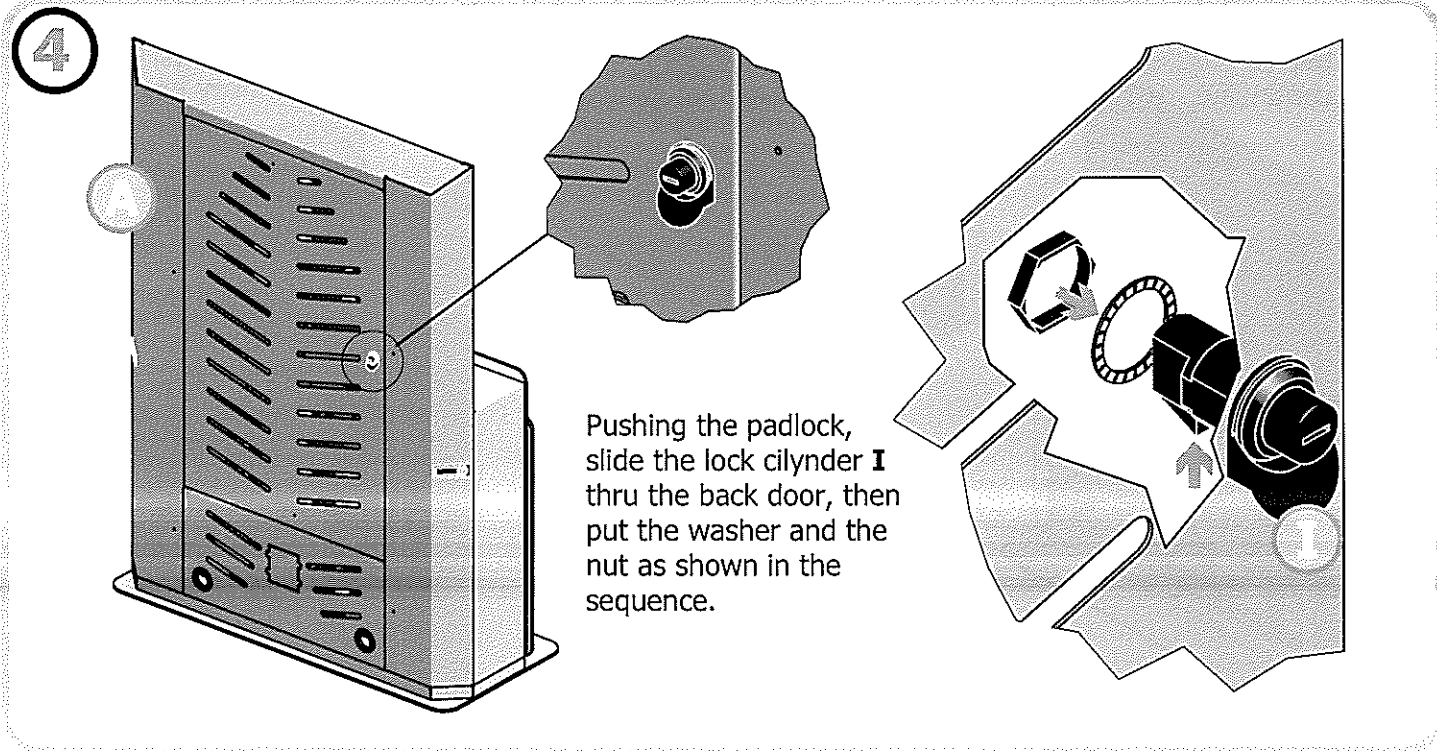
Open the equipment drawer



Fit the drawer front flange into the lower glass slot

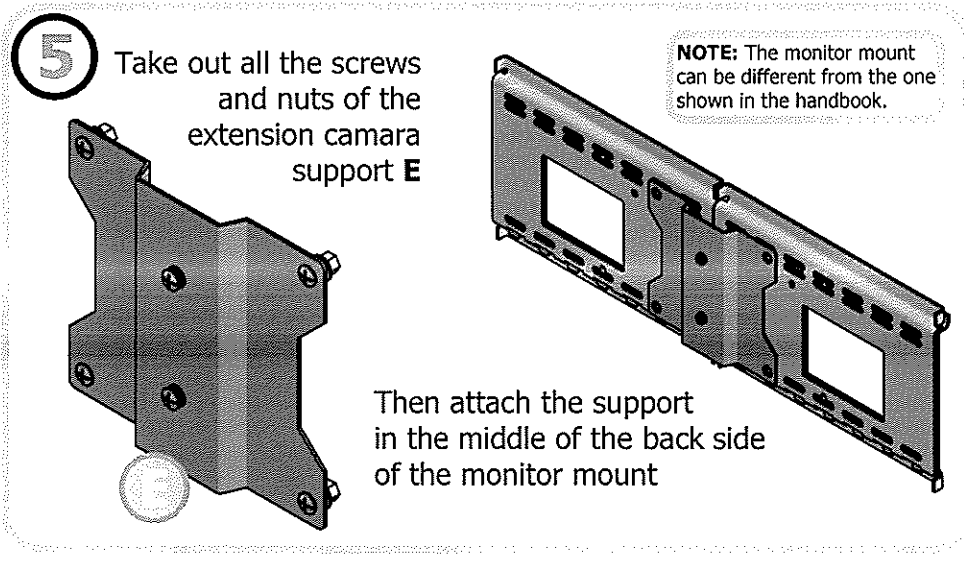


Lock the glass with four screws and tighten them from inside



4

Pushing the padlock, slide the lock cylinder **I** thru the back door, then put the washer and the nut as shown in the sequence.

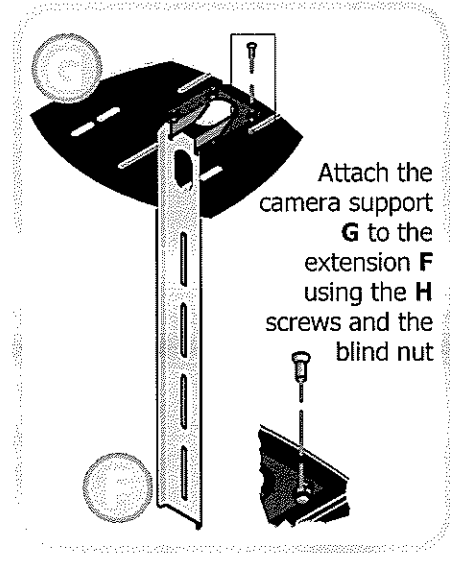


5

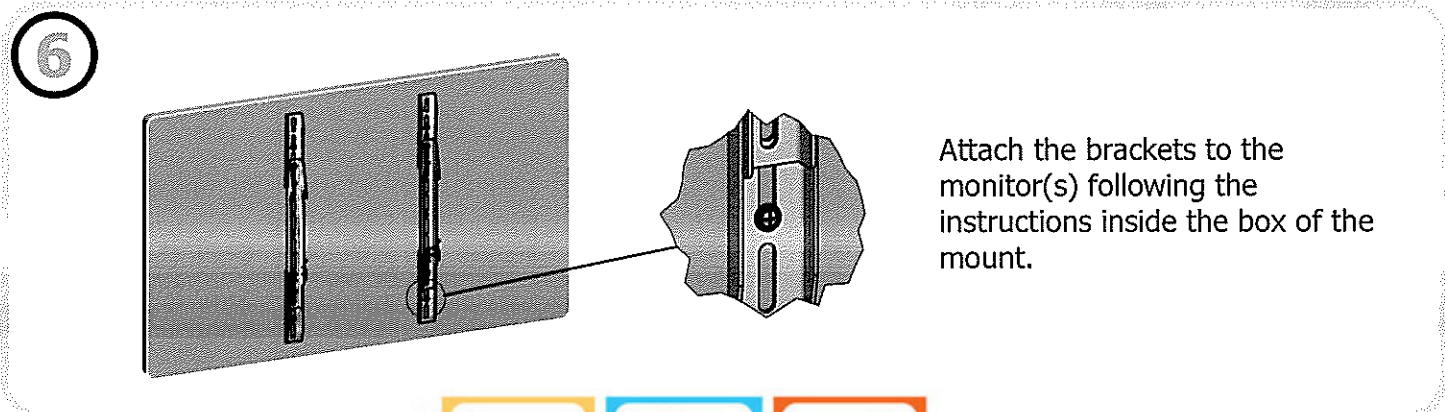
Take out all the screws and nuts of the extension camera support **E**

NOTE: The monitor mount can be different from the one shown in the handbook.

Then attach the support in the middle of the back side of the monitor mount



Attach the camera support **G** to the extension **F** using the **H** screws and the blind nut



6

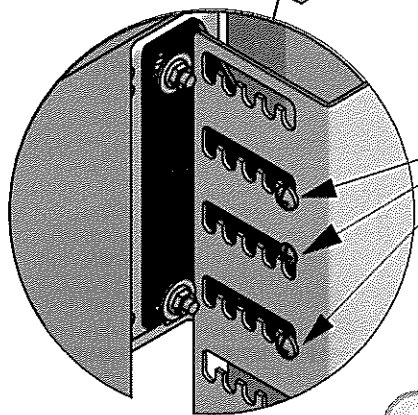
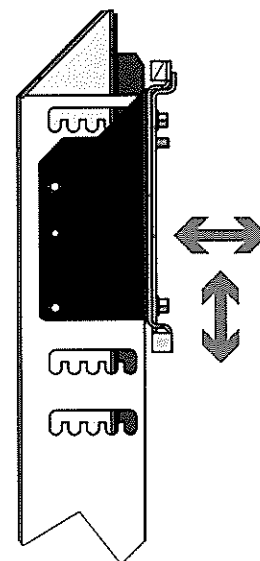
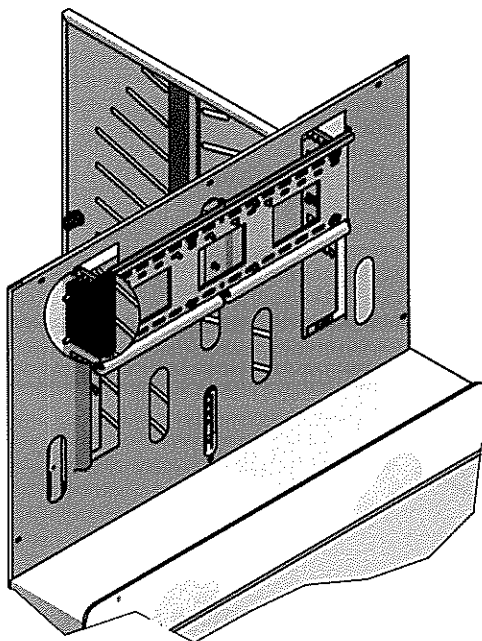
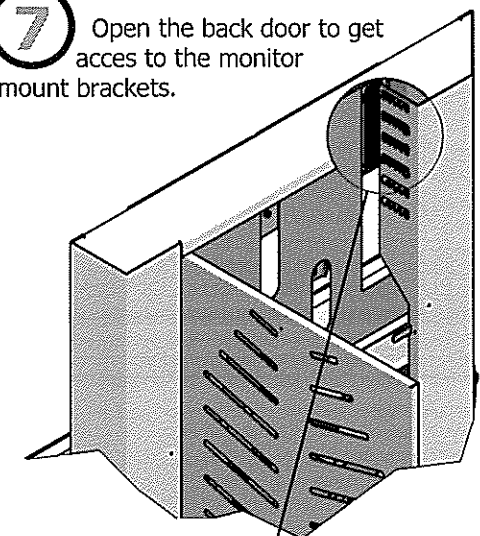
Attach the brackets to the monitor(s) following the instructions inside the box of the mount.

Touchboards

205 Westwood Ave, Long Branch, NJ 07740
 Phone: 866-94 BOARDS (26273) / (732)-222-1511
 Fax: (732)-222-7088 | E-mail: sales@touchboards.com

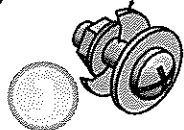
www.avteq.net

7 Open the back door to get access to the monitor mount brackets.



Tighten the screws when the monitor is at the desired level.

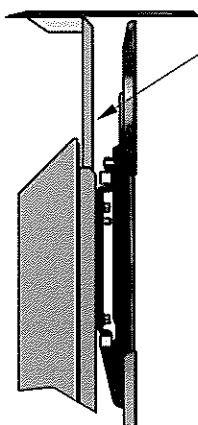
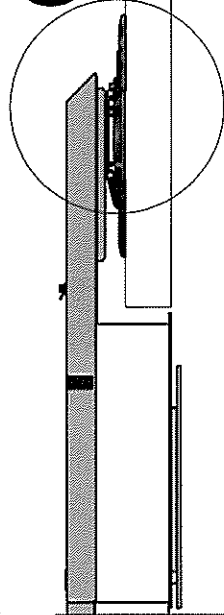
Use the screws kit **J** following the the monitor mount handbook



The mount support can be adjusted in horizontally and vertically by using the slots.

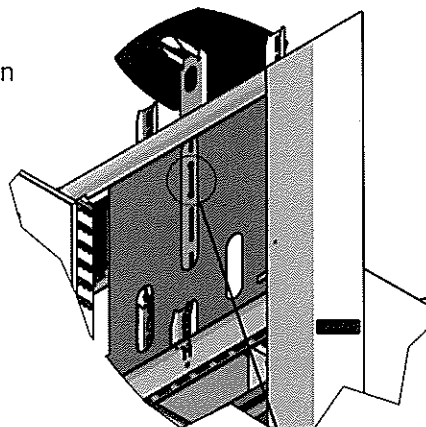
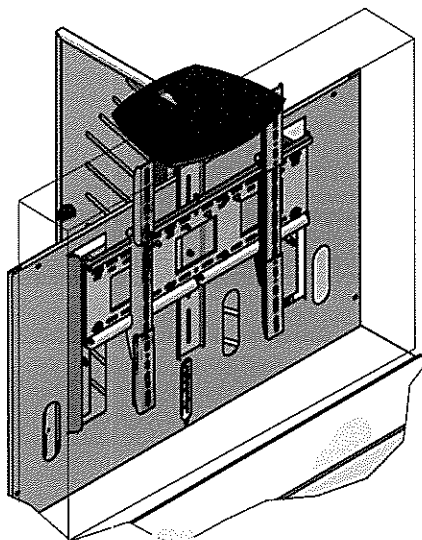
NOTE: Use the top camera extension when the monitor is not too high.

8

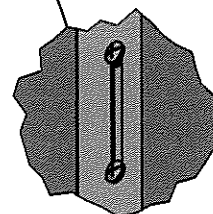


Slide the camera extension into the extension camera support at the desired height

Hang the monitor on the mount ELT 2000 using the brackets as shown in the mount handbook.

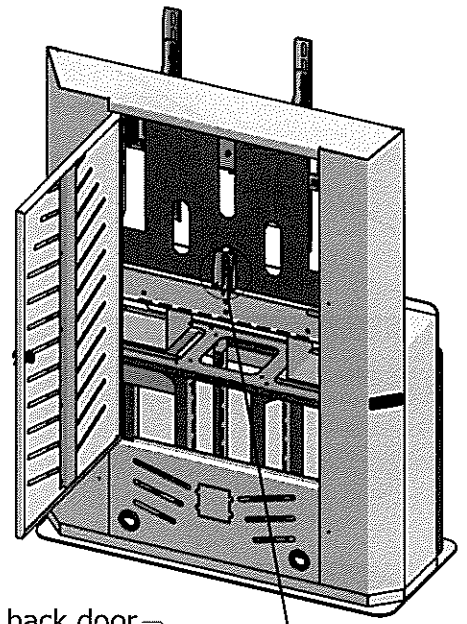
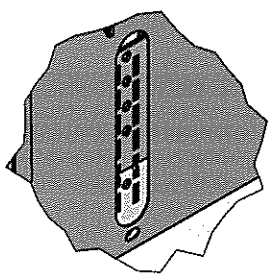
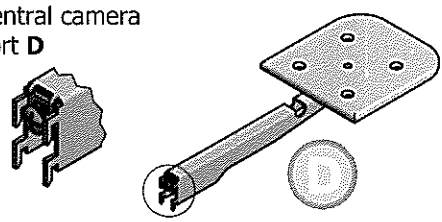
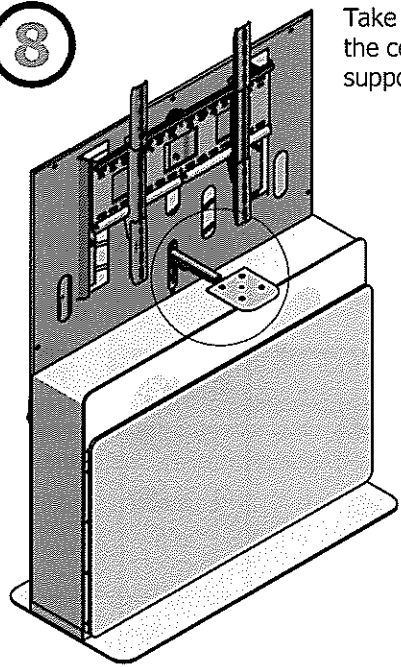


With the back door open adjust the camera extension with the two screws from the extension camera support.



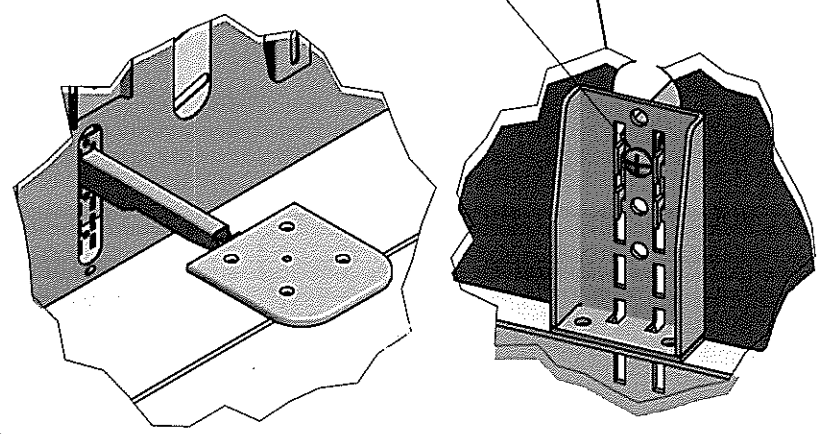
8

Take out the screw from the central camera support **D**



Secure the camera support thru the back door

Slide the central camera support latches into the body slots at the desired height.



Note: Use the central support when the monitors are too big or between two monitors

Touchboards

205 Westwood Ave, Long Branch, NJ 07740
Phone: 866-94 BOARDS (26273) / (732)-222-1511
Fax: (732)-222-7088 | E-mail: sales@touchboards.com