

TMP-300 Telemedicine Cart

The compact TMP-300 telemedicine cart offers a perfect blend of functionality and design for caregivers in hospitals or small clinics. The TMP-300 has a small footprint and smooth gliding casters that easily travel across carpet or hard surface floors.

This highly customizable cart supports a single display and accommodates a variety of technology to provide the ultimate telemedicine solution. The TMP-300 provides an adjustable videoconferencing camera shelf, a pull-out keyboard tray, and a large locking storage area. The TMP-300 telemedicine cart integrates a wide range of technology to bring remote physicians right to the side of the patient.

FEATURES

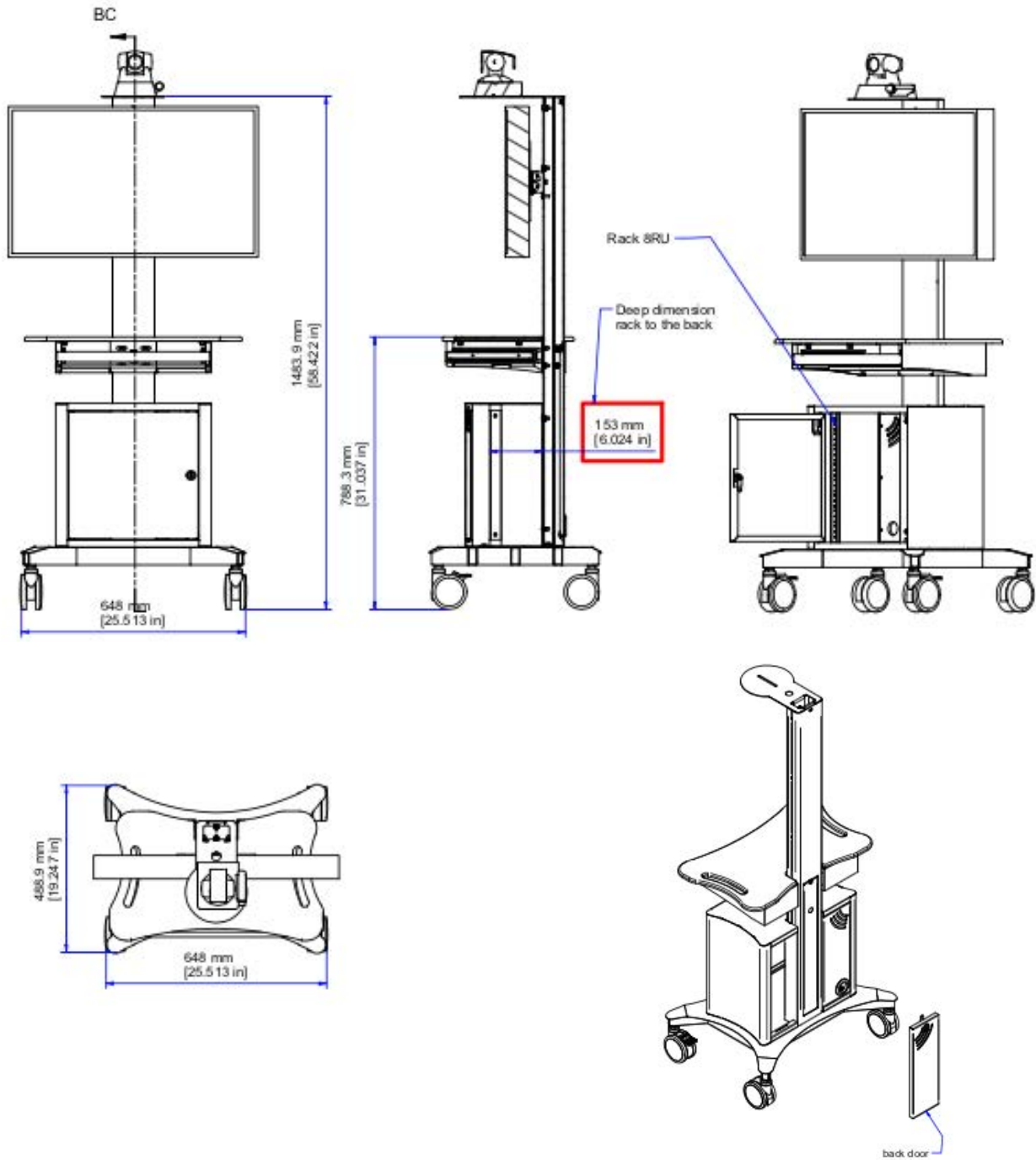
- Supports a single display up to 40"
- 8RU
- Adjustable videoconferencing camera shelf
- Front locking door
- Removable rear panel
- One slide-out keyboard tray
- 4" dual-wheel casters, two locking
- Rack-mounted medical surge protector
- Cable management features
- 100% solid steel construction



The TMP-300 supports the Cisco® Webex DX80 with the optional DX80 Mounting Bracket.



DIMENSIONAL DRAWING



SPECIFICATIONS

DIMENSIONS	KEYBOARD TRAY	RACK SPACE	LOAD CAPACITY	DISPLAY SIZE	PART NUMBER
58.39"H x 25.32"W x 19.5"D	17.5"L x 9.9"W x 1.2" D	8RU	200 lbs	40"	TMP-300

AVTEQ®

Call 800.285.8315 or visit AVTEQ.net

[facebook.com/avteq](https://www.facebook.com/avteq)
twitter.com/avteqinc
[youtube.com/avteq](https://www.youtube.com/avteq)
[linkedin.com/avteqinc](https://www.linkedin.com/avteqinc)