

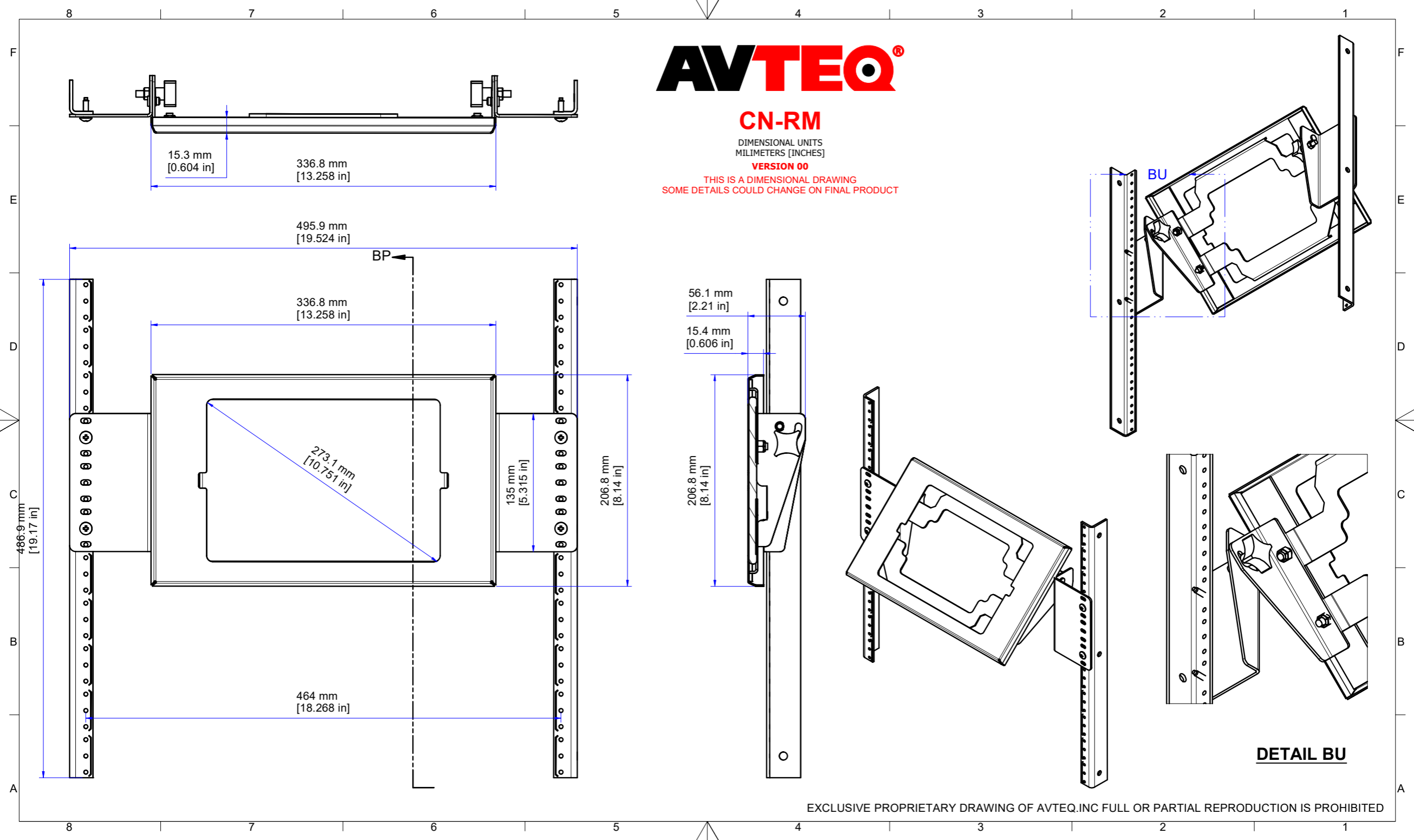
AVTEQ®

CN-RM

DIMENSIONAL UNITS
MILIMETERS [INCHES]

VERSION 00

THIS IS A DIMENSIONAL DRAWING
SOME DETAILS COULD CHANGE ON FINAL PRODUCT



DETAIL BU