

# EDC Classroom Display Cart

## Supports 55 to 86 inch displays

The AVTEQ EDC mobile display cart is the perfect solution for collaborative classrooms. The EDC mobile cart supports single displays from 55 to 86 inches. The mobile cart includes two large shelves that offer ample storage space for laptops, remote controls, and other devices. The EDC mobile cart moves easily across various floor surfaces and provides teachers the flexibility to adjust the classroom for different interactive centers. The EDC mobile cart also can be shared between multiple classrooms to maximize the technology solution.

### FEATURES

- Universal VESA mount
- Two large shelves
- 3" casters, two locking
- Durable steel construction
- Black powder coat finish
- TAA-compliant



EDC-100



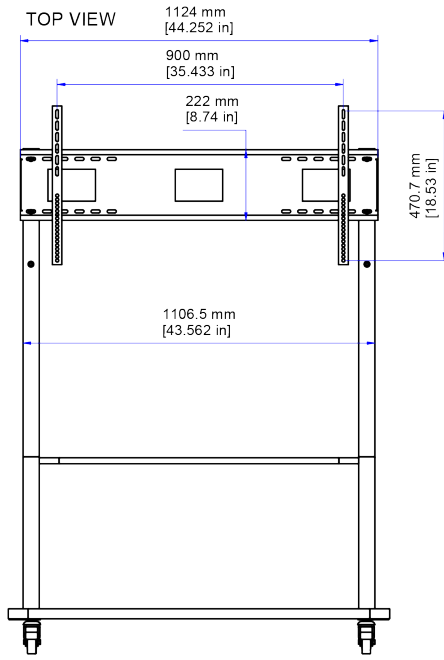
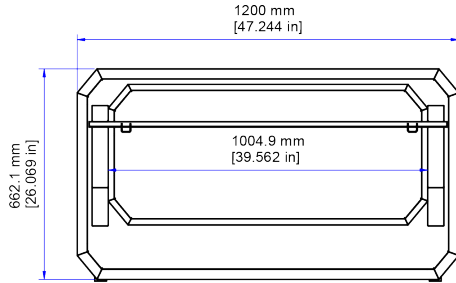
Supports 55-86 inch displays



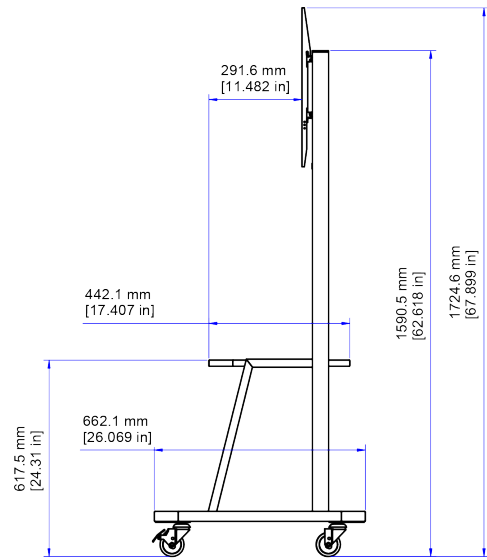
Top shelf -  
39.5 x 17.4 inches

Bottom shelf -  
47.2 x 26 inches

## DIMENSIONS



FRONT VIEW



SIDE VIEW

## SPECIFICATIONS

Part Number	EDC-100
Display Size	Single 55 - 86 inches
Maximum Display Height	60 inches
Cart Dimensions (HxWxD)	62.62 x 44.25 x 26 inches 1590.5 x 1124 x 662.2 mm
Top Shelf Dimensions	39.5 x 17.4 inches 1004.9 x 442.1 mm
Bottom Shelf Dimensions	47.2 x 26 inches 1200 x 662.1 mm
Casters	3 inch, two locking



Call 800.285.8315 or visit [AVTEQ.net](http://AVTEQ.net)

[facebook.com/avteq](https://www.facebook.com/avteq)
[twitter.com/avteqinc](https://twitter.com/avteqinc)
[youtube.com/avteq](https://www.youtube.com/avteq)
[linkedin.com/avteqinc](https://www.linkedin.com/avteqinc)