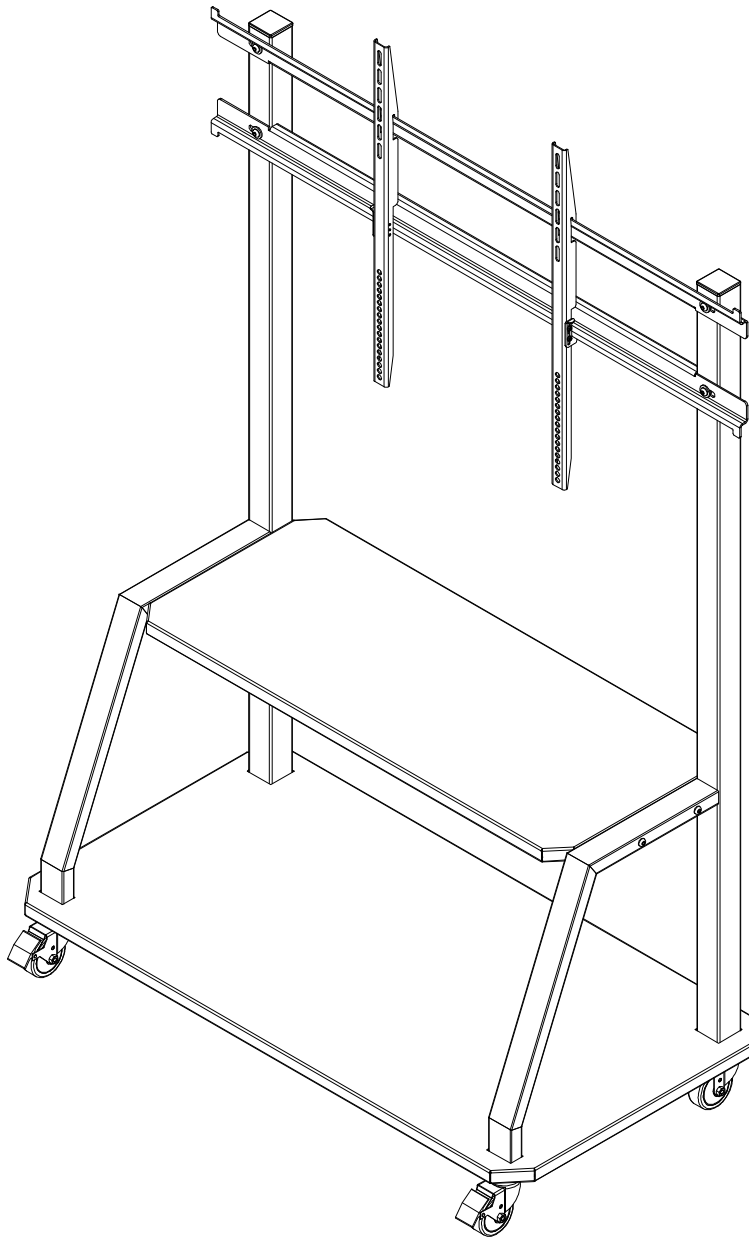




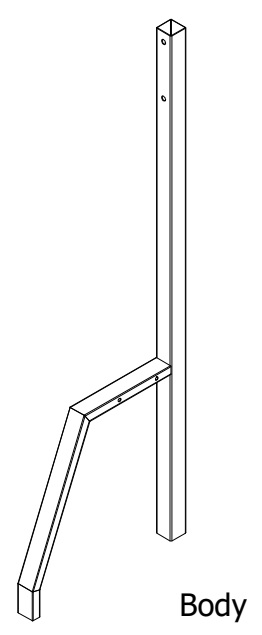
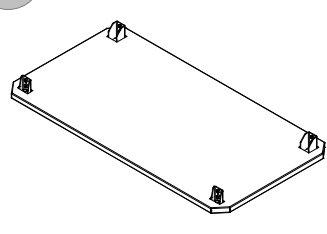
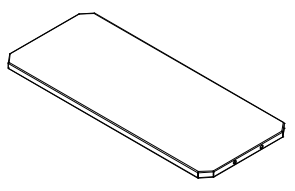
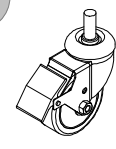
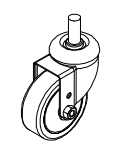
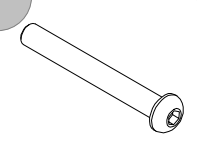
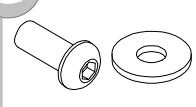
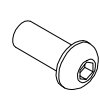
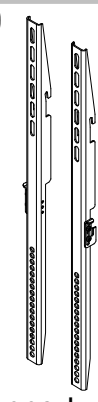
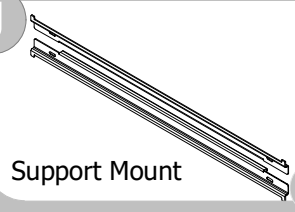
EASY SETUP GUIDE

EDC 100

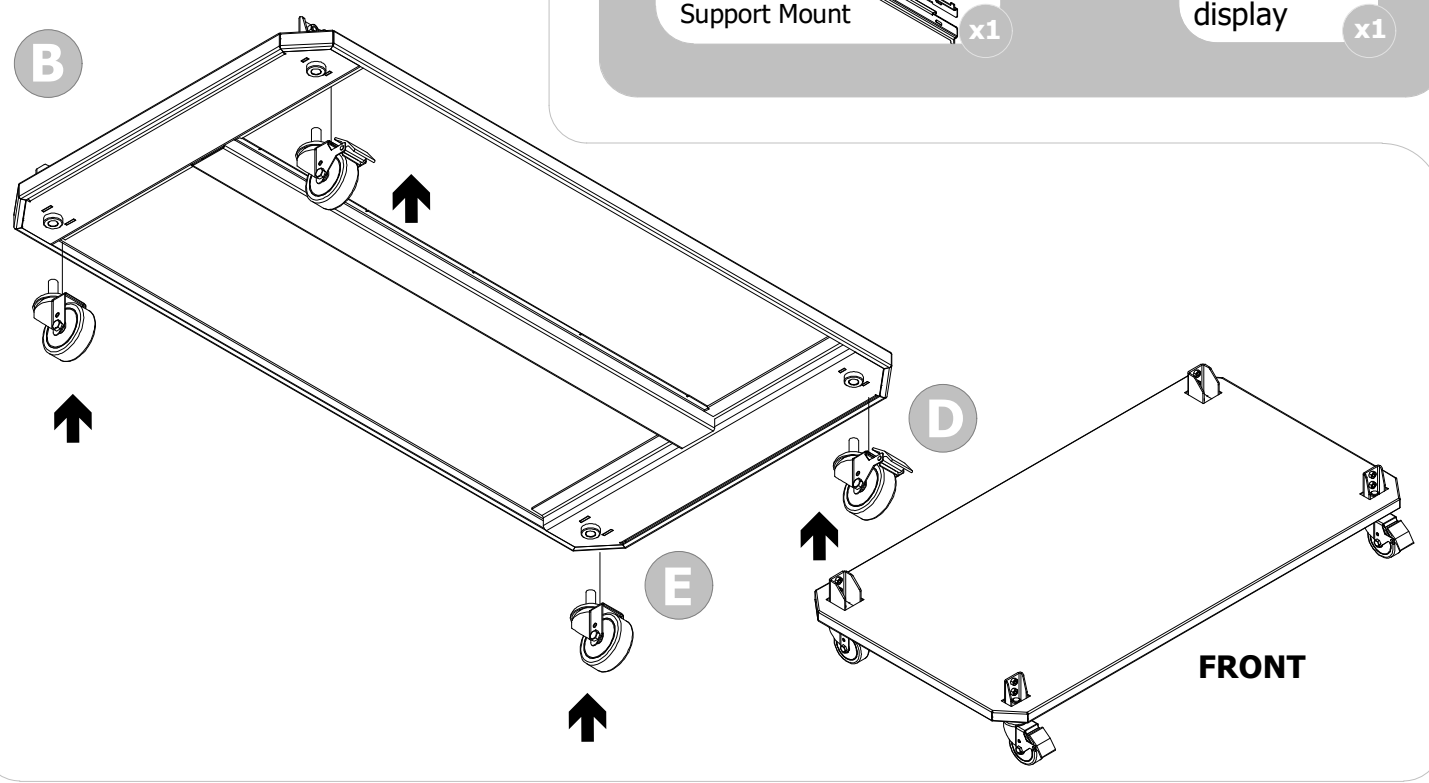


Items not included:
- Phillips screw driver

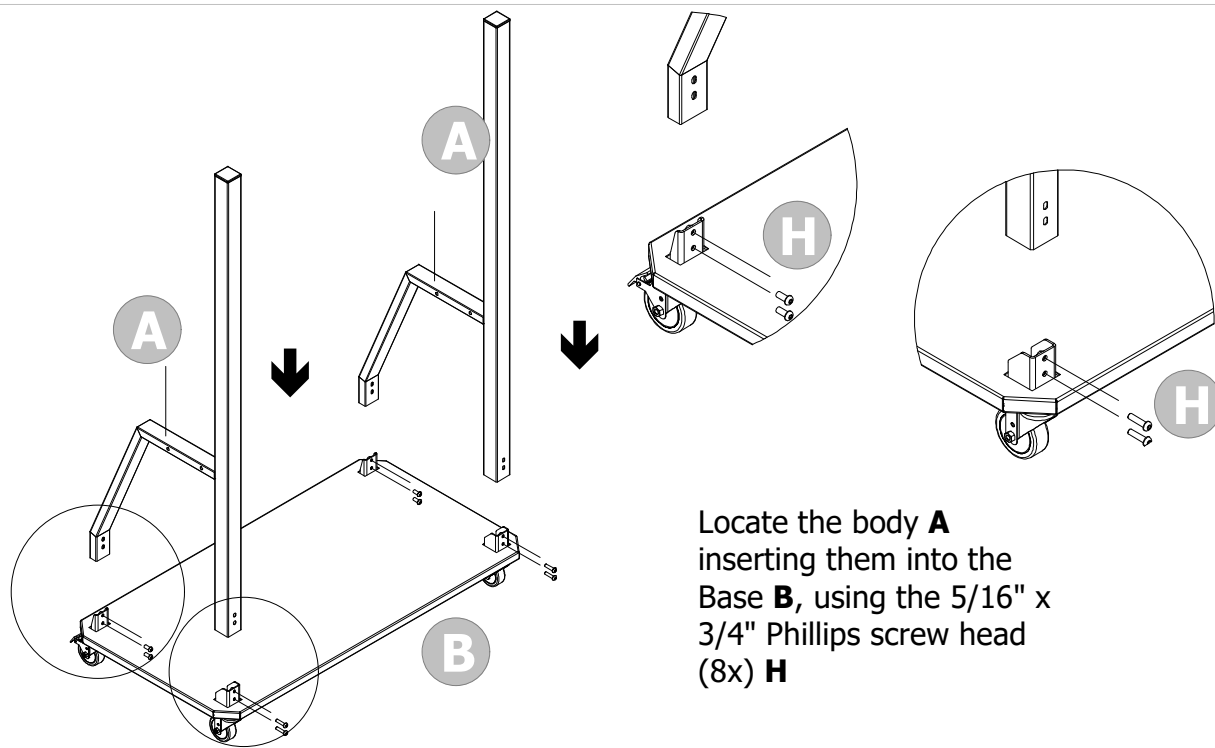
Items included

<p>A</p>  <p>Body x2</p>	<p>B</p>  <p>Base x1</p>	<p>C</p>  <p>Shelf x1</p>
<p>D</p>  <p>wheel with brake x2</p>	<p>E</p>  <p>wheel without brake x2</p>	<p>F</p>  <p>5/16" x 2-1/2" Phillips screw head x4</p>
<p>G</p>  <p>- 5/16" x 3/4" Phillips screw head - 5/16" washer x4</p>	<p>H</p>  <p>5/16" x 3/4" Phillips screw head x8</p>	<p>I</p>  <p>Support display x1</p>
<p>J</p>  <p>Support Mount x1</p>		

1 Place the Wheels (wheel with brake in front) in Bottom base **B** in position as shown

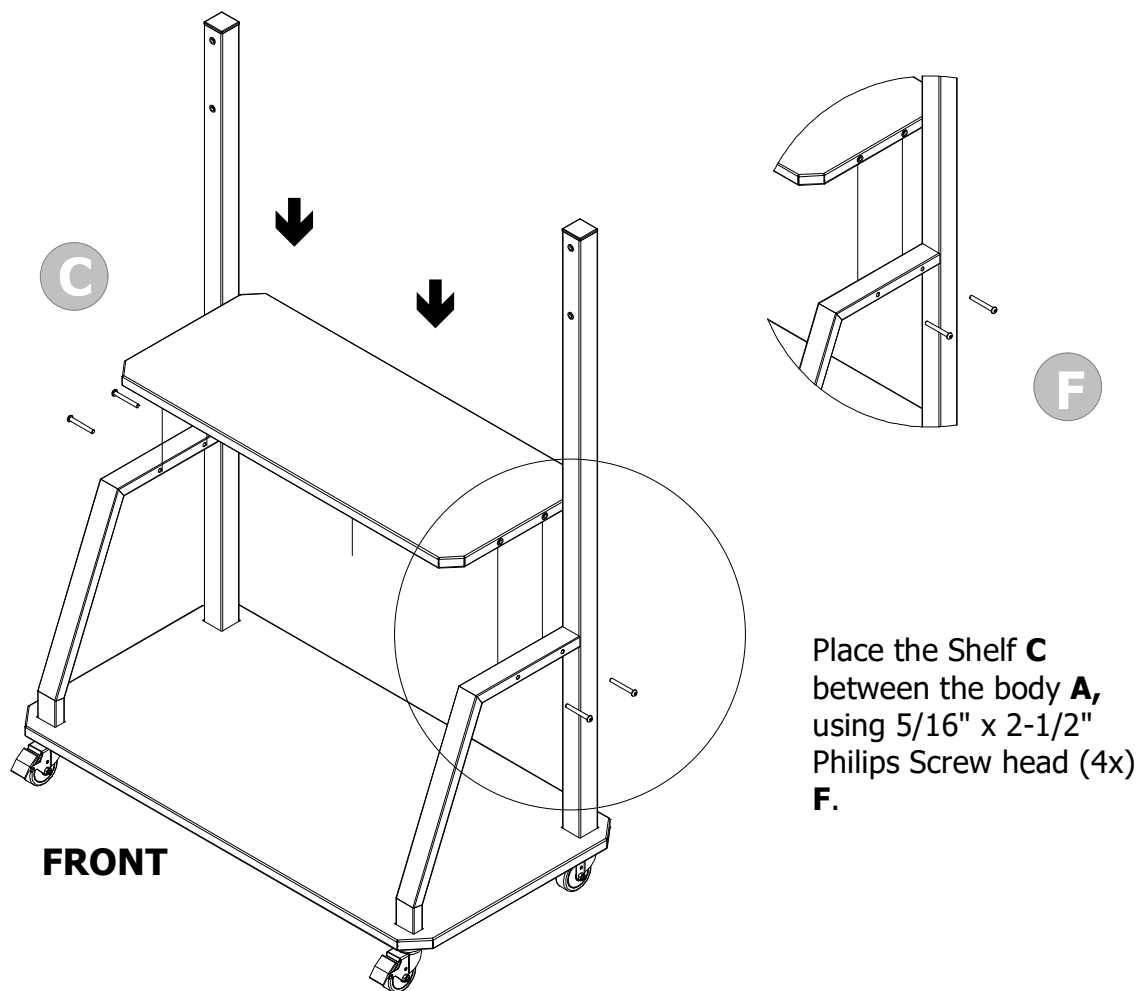


2



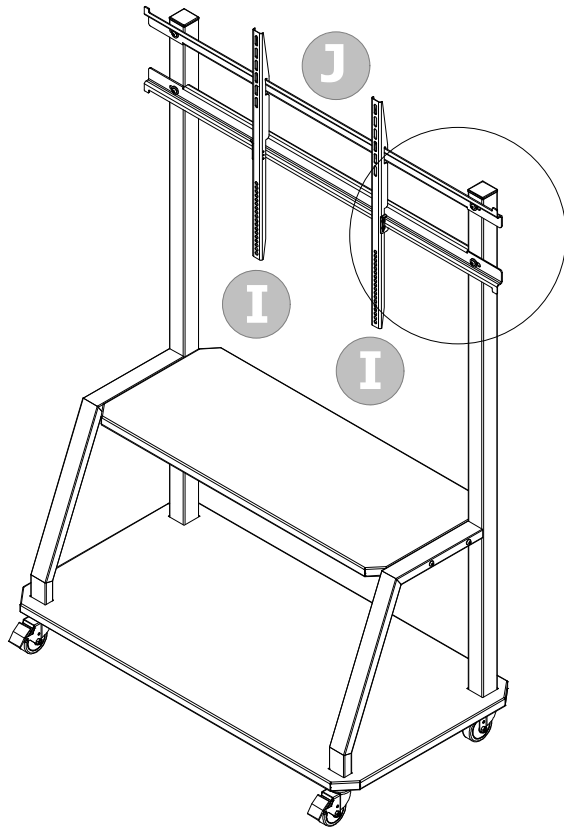
Locate the body **A**
inserting them into the
Base **B**, using the 5/16" x
3/4" Phillips screw head
(8x) **H**

3



Place the Shelf **C**
between the body **A**,
using 5/16" x 2-1/2"
Phillips Screw head (4x)
F.

4



Place the Support Display mount **I-J** at the top between the body **A**, using 5/16" x 3/4" Phillips screw head and 5/16" washer (4x) **G**.



Customer Service

(800) 285-8315

Address:

9003 Governors Row

Dallas, TX 75247

Phone: (214) 905-9001