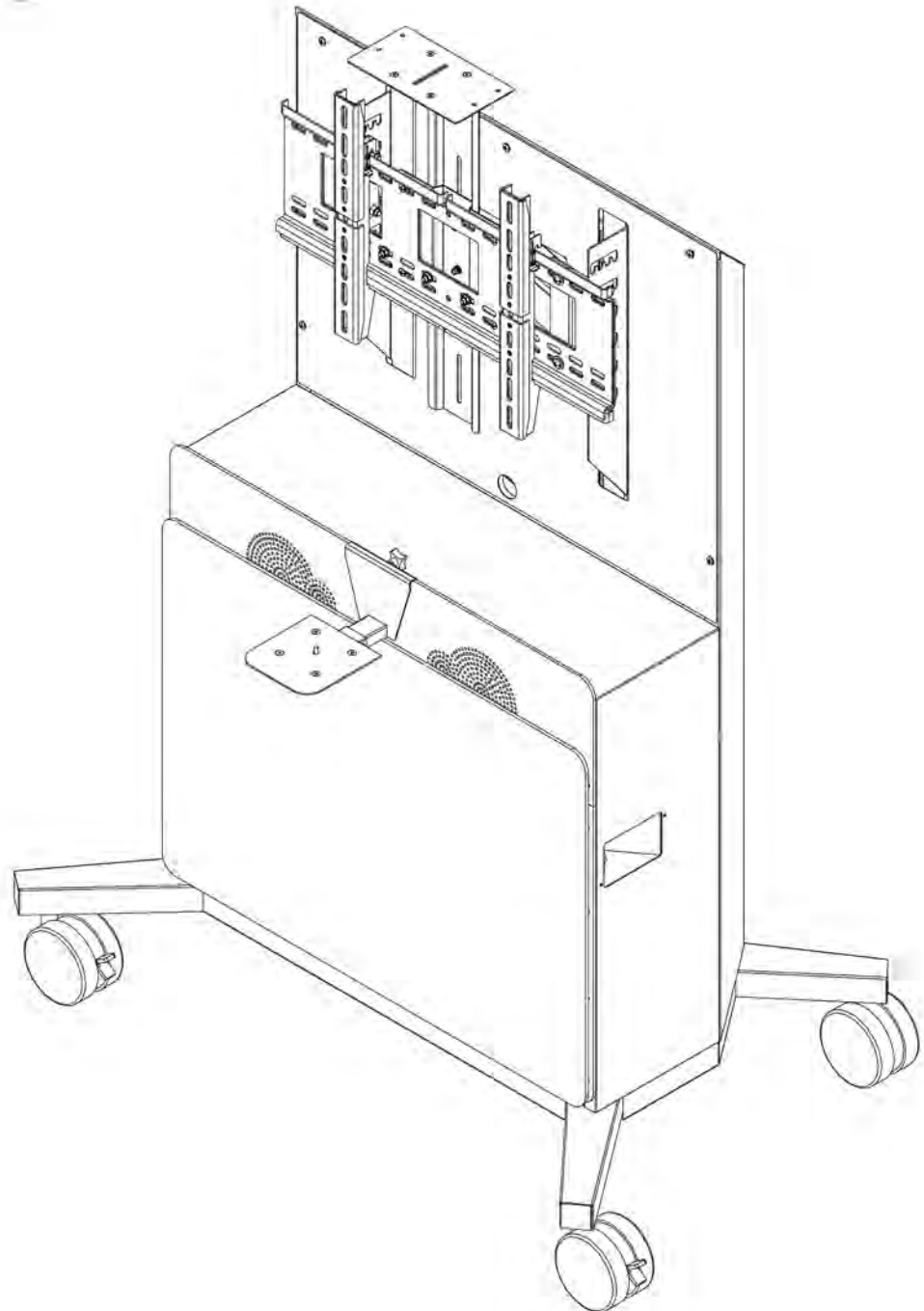




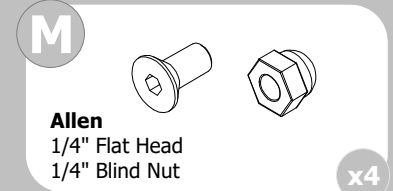
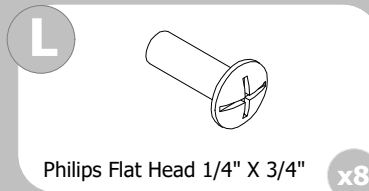
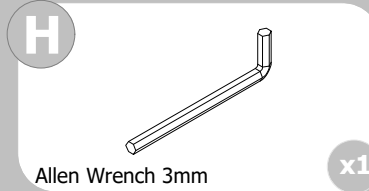
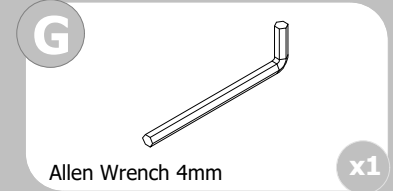
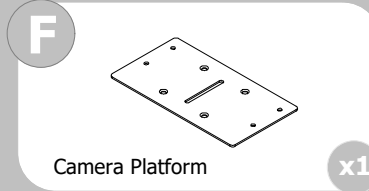
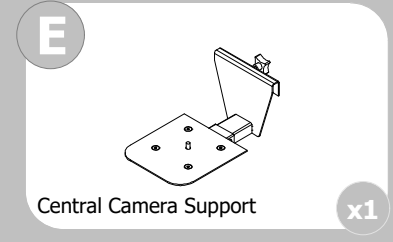
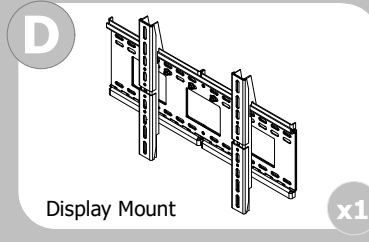
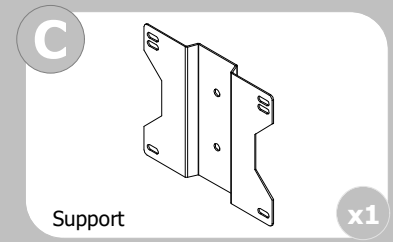
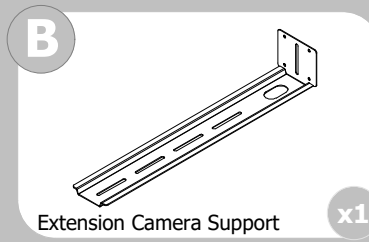
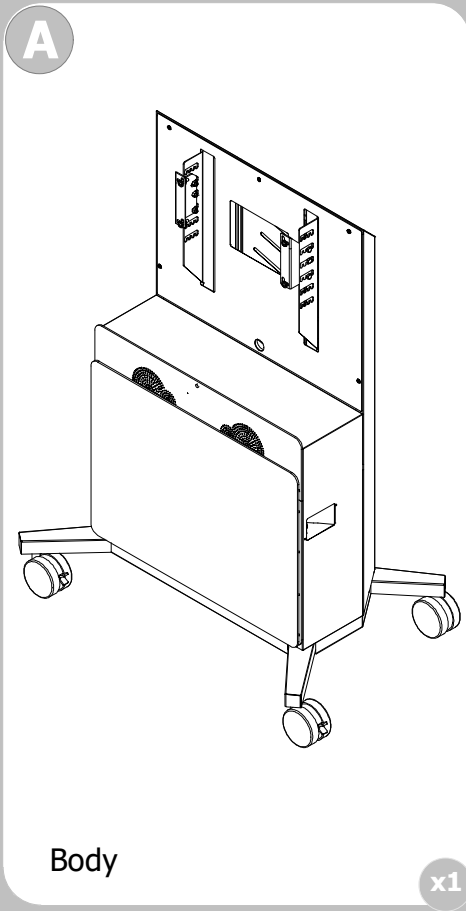
Easy Setup Guide

ELT-2100

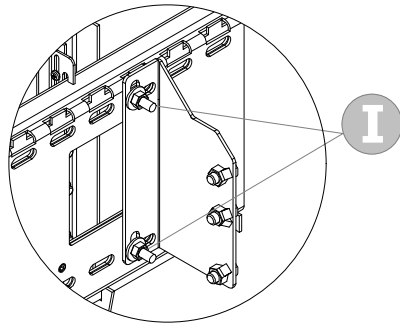


Items not included:
 - Phillips screw driver
 - Fixed base

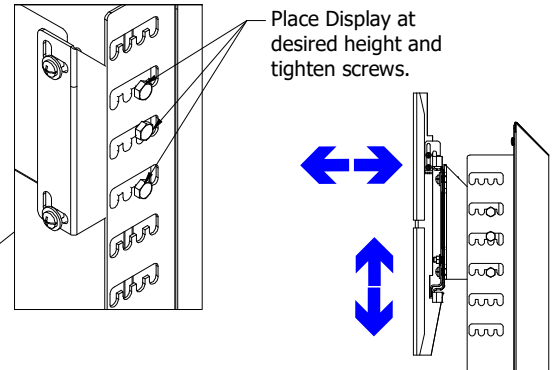
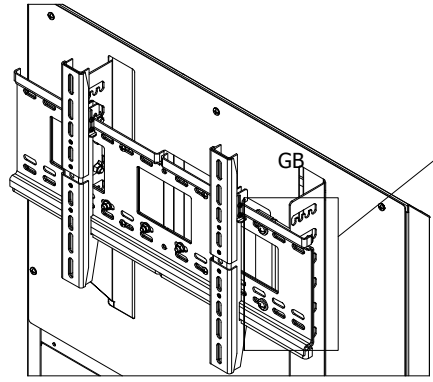
Items included



1 Use Mount kit **(I)** and follow Display mount instructions.



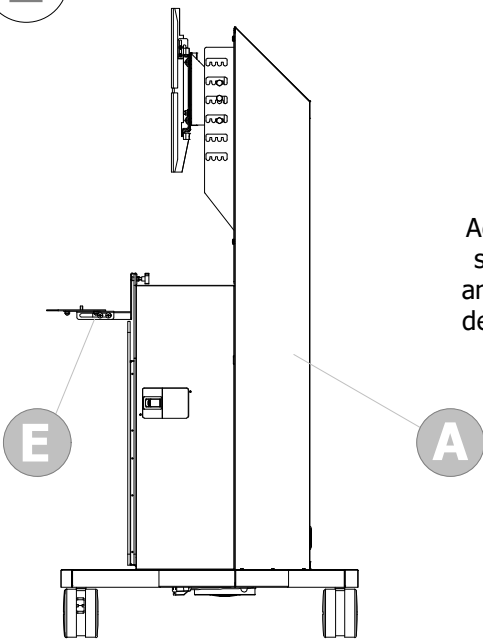
Install Tip: Before installing the Display Mount, measure the VESA pattern on the back of the display to make sure any adjustments to the Display Mount are done prior to mounting it to the cart.



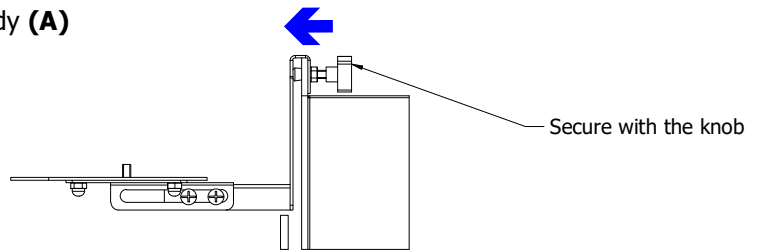
Adjust mount support horizontally and vertically by using the slots

2

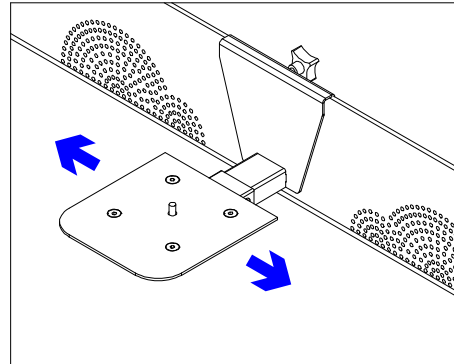
Attach Central Camera Support (E) to front of Body (A)



Adjust camera support back and forth to the desired position



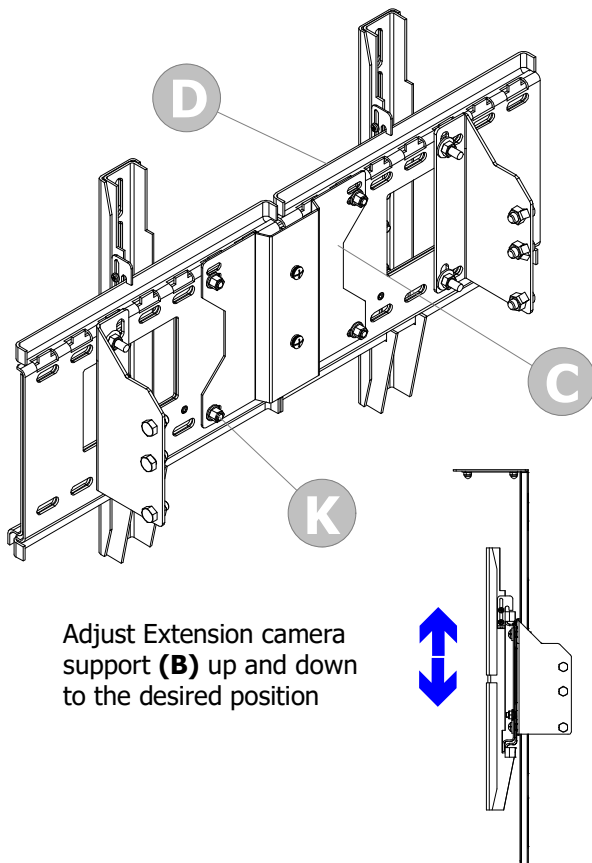
Secure with the knob



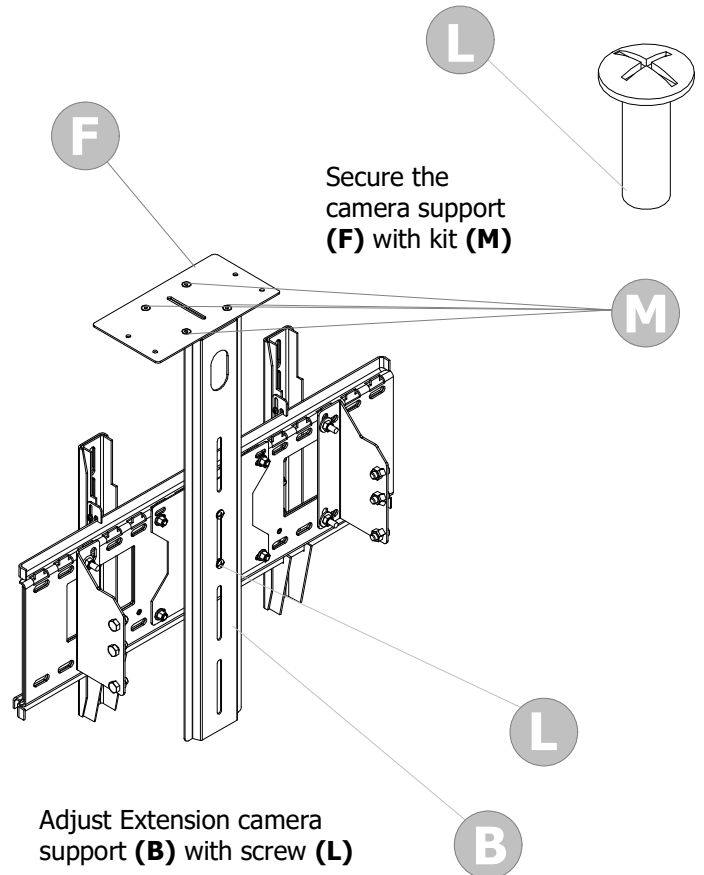
Attention: Follow this step if using Central Camera Support (F)

3

Attach support (C) with 1/4" x 3/4" screws (L) to mount and secure with 1/4" flange nut (K)



Adjust Extension camera support (B) up and down to the desired position



Secure the camera support (F) with kit (M)

Adjust Extension camera support (B) with screw (L)

Attention: Follow this step if using Extension Camera Support (B and F)