

DynamiQ™ RPS-500

Height Adjustable Series

The DynamiQ RPS-500 height adjustable mobile cart is an ideal solution for interactive displays. The spring-weighted mount allows the display to easily glide up and down with a feather-light touch of your finger.

The DynamiQ RPS-500 supports a single display and offers an optional mount for the 55" and 70" Cisco Spark Board. The height adjustable capability enhances the interactive experience for any corporate, educational, or other collaborative environment.

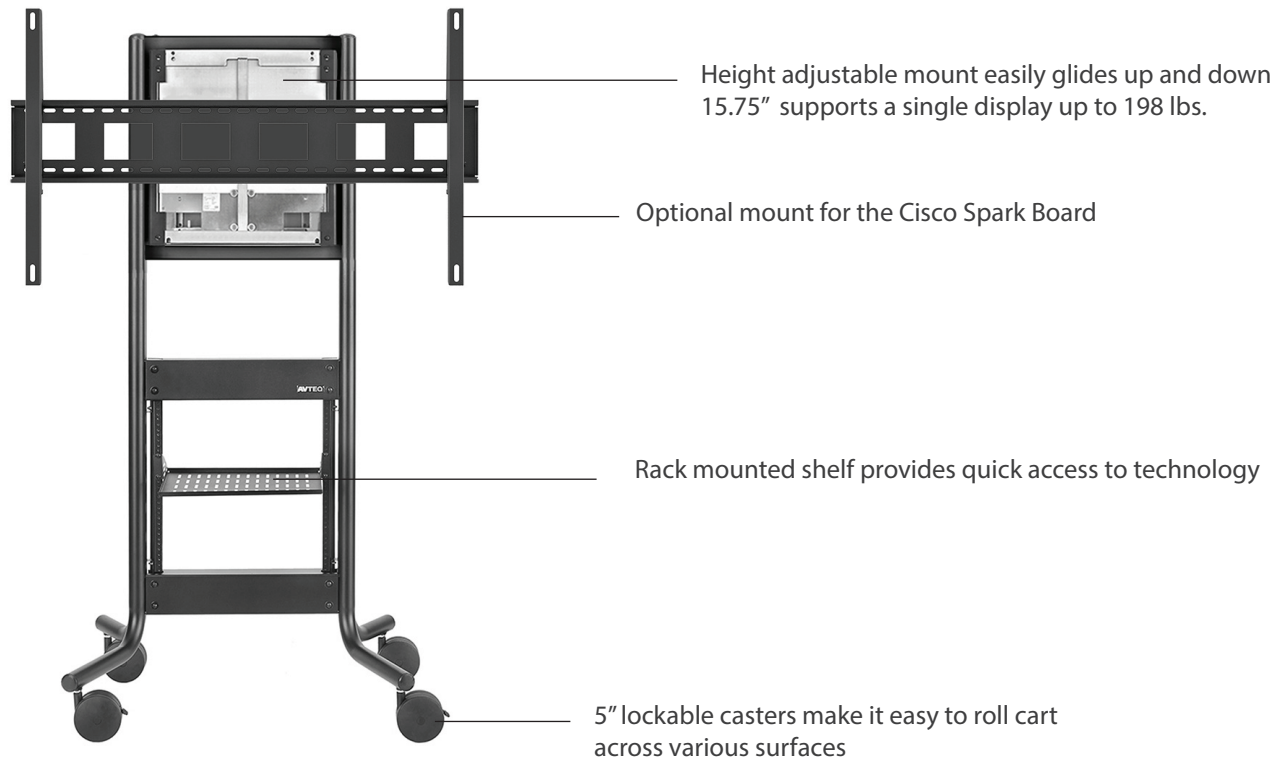
FEATURES

- Height adjustable mount with spring-weighted technology
- Adjusts vertically 15.75"
- Rack mounted shelf
- 5" casters, two locking
- 6-port surge protector
- Cable management features
- Powder-coated frame in black or white
- 100% solid steel construction
- Ships unassembled, palletized



DynamiQ RPS-500 shown in white with the additional Spark Board mount.





SPECIFICATIONS

DIMENSIONS	LIFT	VERTICAL ADJUST	RACK SPACE	LOAD CAPACITY	DISPLAY	FRAME COLOR	PART NUMBER
74"H x 40"W x 30"D	Easy glide	15.75"	10RU	Up to 83.6 lbs	Single display	Black	RPS-500-40
				83.6 - 145 lbs.	Single display	Black	RPS-500-70
				145.2 - 198 lbs	Single display	Black	RPS-500-90
74"H x 48"W x 30"D				Up to 145 lbs	55" Cisco Spark Board	Black	RPS-500-BB-CSB55B
74"H x 48"W x 30"D				Up to 145 lbs	55" Cisco Spark Board	White	RPS-500-BB-CSB55W
74"H x 62"W x 30"D				Up to 198 lbs	70" Cisco Spark Board	Black	RPS-500-BB-CSB70B
74"H x 62"W x 30"D				Up to 198 lbs	70" Cisco Spark Board	White	RPS-500-BB-CSB70W



Need a custom solution?
Give us call.

AVTEQ®

Call 800.285.8315 or visit AVTEQ.net



facebook.com/avteq



twitter.com/avteqinc



youtube.com/avteq