

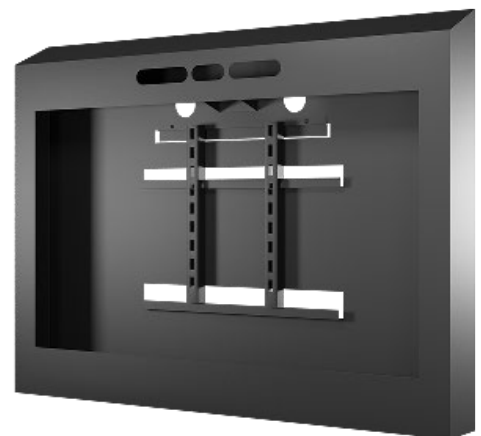
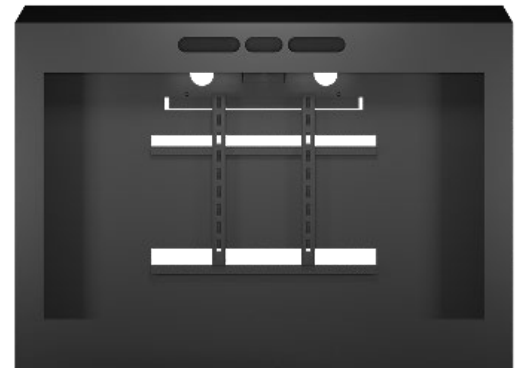
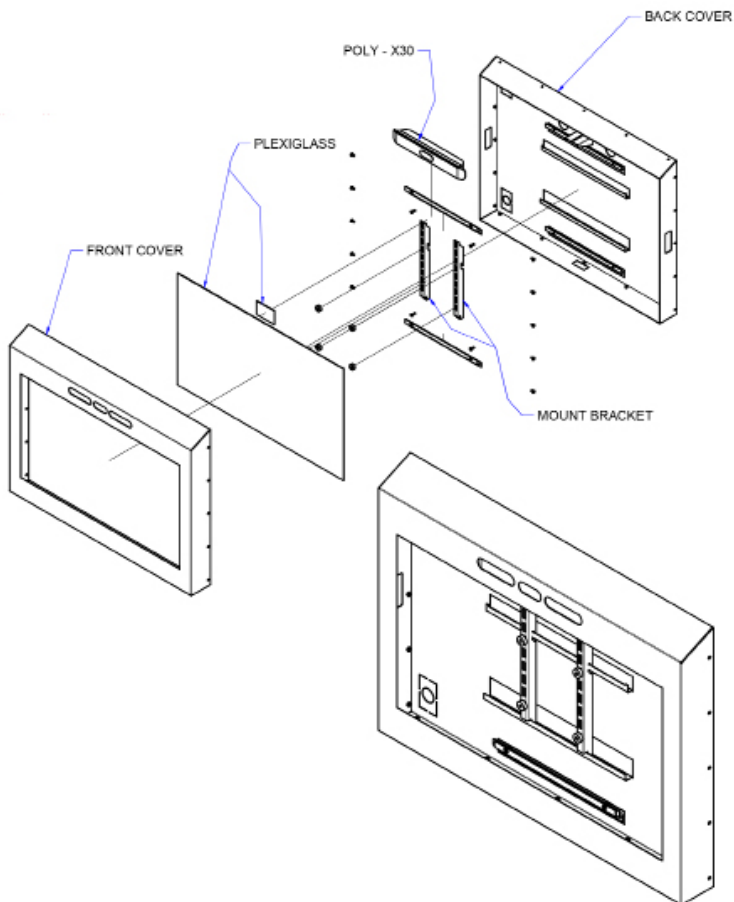
Security Display Enclosure for Poly Studio X30

The Security Display Enclosures are designed to protect the audio visual technology and prevent anyone from using the hardware to inflict harm to themselves or others. The wall-mounted enclosure is customized specifically to support the Poly Studio X30 video bar along with a 32 or 43 inch display. The enclosure provides a safe and secure solution to mount the Poly Studio X30 and display in environments where the need for a safe video conferencing solution is essential, such as correctional or mental health facilities.

The sloped top provides a non-looping enclosure that reduces the chance of the enclosure becoming a ligature point. All cabling and power access can be protected by the cover for maximum safety.

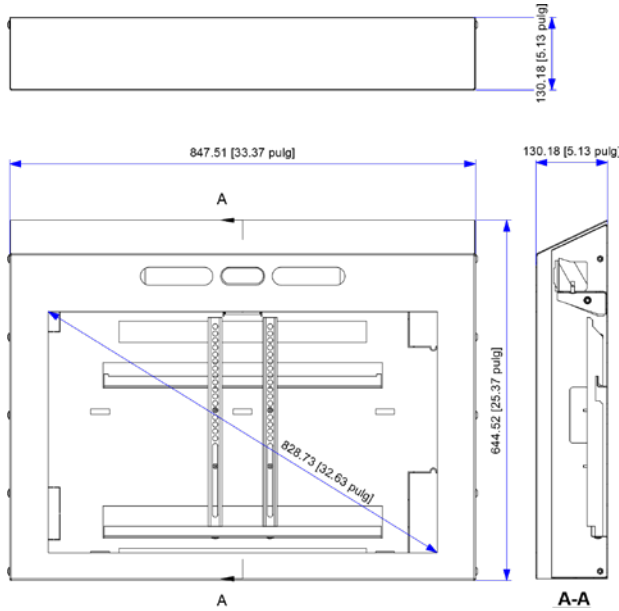
FEATURES

- Supports the Poly Studio X30 video bar
- 32 or 43 inch Samsung display included
- 3mm polycarbonate screen protection
- Single gang cutout
- 100% steel frame
- Black powder-coated finish

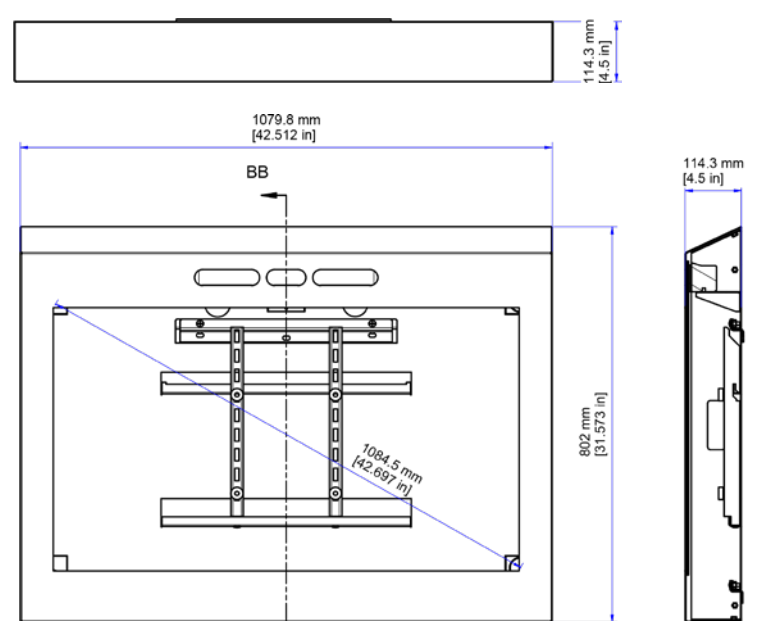


DIMENSIONAL DRAWING

32-inch Enclosure (SSENC-32-POLY)



43-inch Enclosure (SSENC-43-POLY)



SPECIFICATIONS

Part Number	SSENC-32-POLY: 32 inches SSENC-43-POLY: 43 inches
Dimensions (HxWxD)	
32"	23.37 x 33.37 x 5.15 Inches (593.598 x 847.598 x 130.81 mm)
43"	31.6 x 42.5 x 4.5 Inches (802.64 x 1079.5 x 114.3 mm)



Call 800.285.8315 or visit AVTEQ.net