

# VW400M Mosaic Video Wall Mount

## For Displays With 400x400mm VESA Pattern

### Customize Your Desired Effect

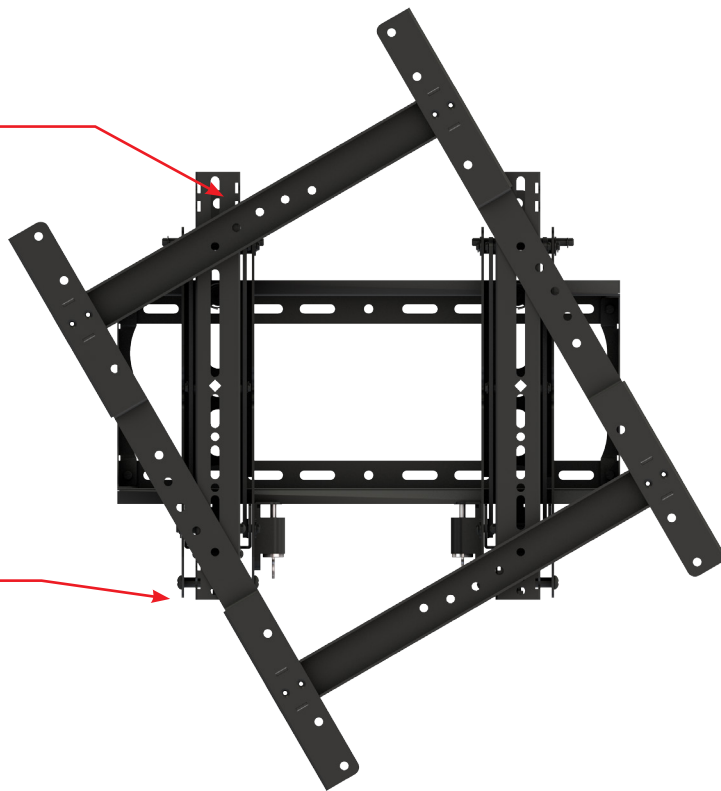
- Fits displays with 400 x 400mm VESA patterns
- Five predetermined rotation angles for a unique configuration (30°, 37.5°, 45°, 52.5°, 60°)
- Integrated security lock and key system
- Fine adjustment for leveling the video wall layout, including lateral, vertical, rotation and plumb adjustments
- Up to 10" extension for easy wiring



### INCREMENTAL ROTATION

30°, 37.5°, 45°, 52.5°, 60°

Five preset rotation angles for a layout limited only by your imagination.



### FULLY ADJUSTABLE

Plumb, Vertical Adjustment & Leveling

Use a powered screwdriver to easily adjust and level the monitors.



### EXTENSION

Pulls out For Wiring and Service

Up to 10" extension from the wall for easy wiring and service.



# VW400M Mosaic Video Wall Mount

## For Displays With 400x400mm VESA Pattern

1-866-MOUNT-TV  
www.crimsonav.com



VW400M allows integrators to configure custom video wall layouts for a unique look and presentation.

Attribute	Value
Monitor size	Any monitor under 150LB with 400 x 400mm VESA pattern
Orientation	landscape or portrait
Weight capacity	150lb
Max mounting pattern	400x400mm
VESA mounting patterns	400x400mm
Adjustments	Plumb, vertical, leveling, lateral
Rotation	Lockable at 30°, 37.5°, 45°, 52.5°, 60°
Security	Proprietary lock and key system (double locks)
Packaging Dimensions	Box 1: 5" x 36" x 13" Box 2: 24.6" x 17.9" x 1"
Shipping weight	Box 1: 17.5 lb Box 2: 18.82 lb
Construction	High-grade cold rolled steel
Product finish	Scratch resistant epoxy powder coat
Color	Black
Model number	VW400M
Warranty	Lifetime

