

# Wall Mounted Menu Board Systems

## Custom Configured for Your Project

for 40" - 65"+ displays

### Modular

A fully modular solution for mounting menu board displays to the wall in portrait or landscape configuration for commercial displays up to 65"+ in size.

### Easy to Quote-Easy to Order

Priced per display makes it easy to specify and quote. Simply select the Crimson model based on the size and orientation (landscape or portrait) of display being installed and we will configure the components for you.

### Easy Leveling and Display Placement

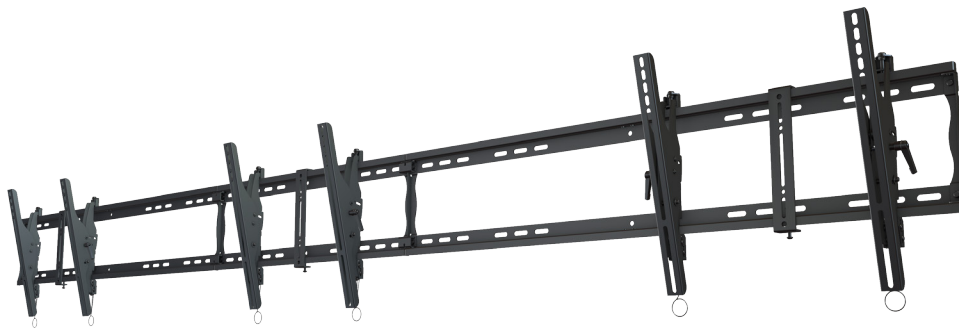
Aligning the displays is easy with the post installation leveling mechanism. Simply adjust the leveling screws for each display to level and eliminate gaps. The heavy duty click in place latch mechanism makes hanging and removing the display a breeze. Latch can be locked down with included securing screw, to prevent removal.

### Cord Management

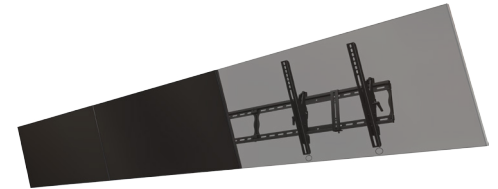
Removable cord management bracket included for each display.



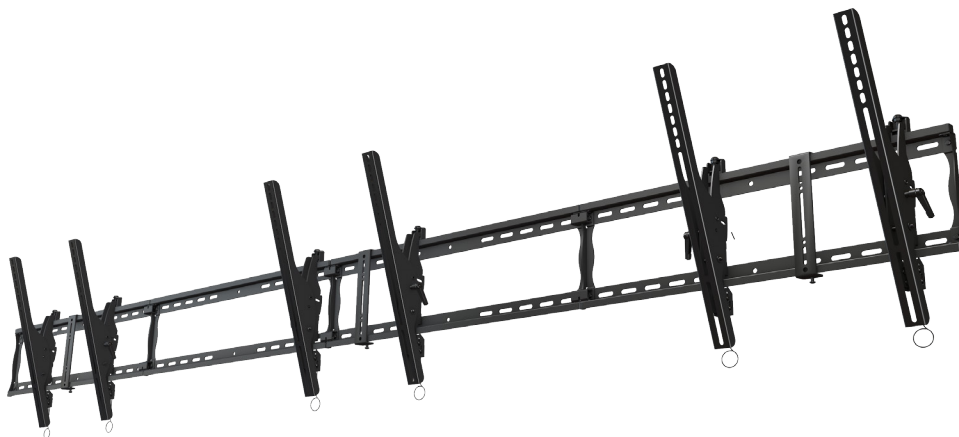
## Landscape Orientation (WML)



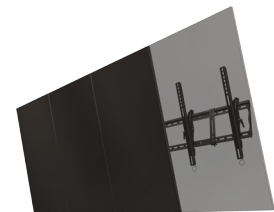
Model	Display Size	Load Rating (per display)
WML47	40"-47"	200lb
WML55	50"-55"	200lb
WML65	60"-65"+	200lb



## Portrait Orientation (WMP)



Model	Display Size	Load Rating (per display)
WMP47	40"-47"	200lb
WMP55	50"-55"	200lb
WMP65	60"-65"+	200lb



# Wall Mounted Menu Board Systems

## Custom Configured for Your Project

for 40" - 65"+ displays

1-866-MOUNT-TV  
www.crimsonav.com



A fully modular solution for mounting menu board displays to the wall in landscape or portrait orientation, for commercial displays up to 65"+ in size. Features unique post-installation leveling and cable management capabilities, and includes all of the necessary components and hardware needed to complete the installation. Systems designers need only to know the size and number of displays to be used as well as the orientation; we'll kit the complete mount system and ship it to the location requested. We'll even provide a custom dimensioned drawing with each configuration ordered. Prices are based on the number of displays to be mounted, further simplifying the specification and quotation process.

Attribute	Value
TV size range	40" - 65"+
Weight capacity	200lb (91kg) per display
Max mounting pattern	757mm high
Orientation	landscape or portrait
Displays per configuration	unlimited
Tilt	+15°/-5°
Depth from wall	2.2" (56mm)
Height adjustment	±0.4"
Lateral adjustment	varies with screen
Mounting surface	wood stud, concrete, cinder block or metal stud (accessory required HT)
Stud spacing	dual stud 16", 20", 24" on center, triple stud on 16" center
Construction	high-grade cold rolled steel
Product finish	Scratch resistant epoxy powder coat
Color	black
Model number	Portrait: WMP47, WMP55, WMP65 Landscape: WML47, WML55, WML65
Warranty	10 years

