

BROADBAND ANTENNAS

OMNILOG[®]

SERIES

Omni-directional broadband antenna with up to 8 GHz frequency range and high gain



Highlights:

- Perfectly usable with Spectrum Analyzers for omnidirectional measurements
- SMA-connector with heavy-duty 90° knuckle base
- Very compact design, lightweight

**AARONIA AG**
WWW.AARONIA.DE

Gewerbegebiet Aaronia AG II, DE-54597 Strickscheid
Tel.: +49(0)6556-9019-355 Fax: +49(0)6556-93034
www.aaronia.com E-Mail: mail@aaronia.de



MADE IN GERMANY

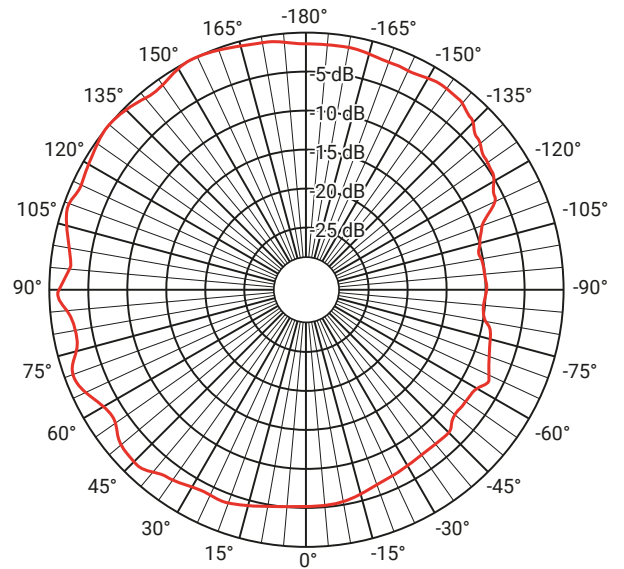
Specifications

OmniLOG® 70600

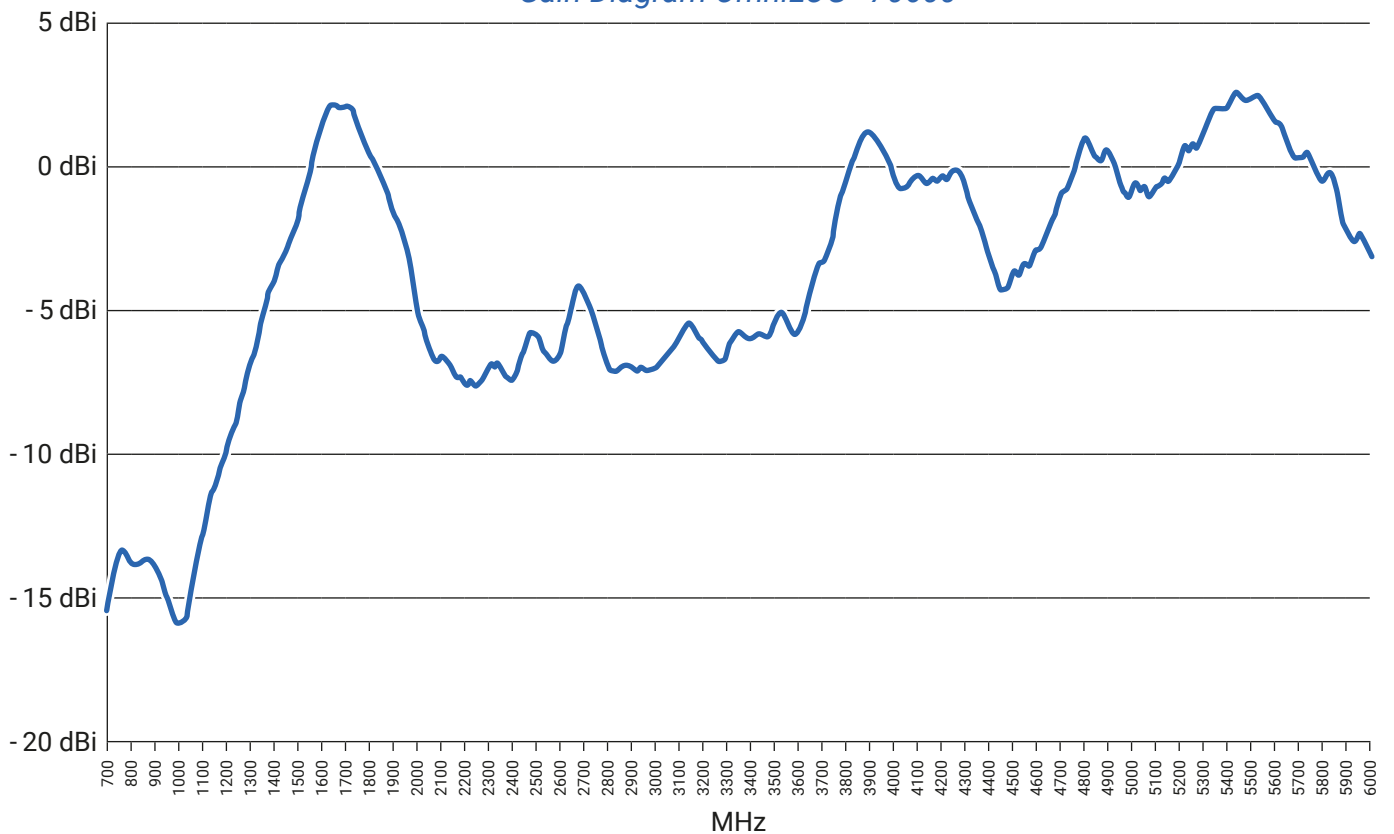
Dimensions [L x W x D]	173 x 62 x 9 mm
Weight	54 g
Design	Omnidirectional
RF Connection	SMA (male)
Frequency Range	680 MHz – 6 GHz
Nominal Impedance	50 Ohm
VSWR (typ.)	< 3:1
Max. Input Power	5 W
Temperature Range	- 40° C – + 85° C
Relative Humidity	0 % – 95 %
Polarisation	Linear
Warranty	2 years

RoHs compliant

Horizontal Pattern OmniLOG® 70600

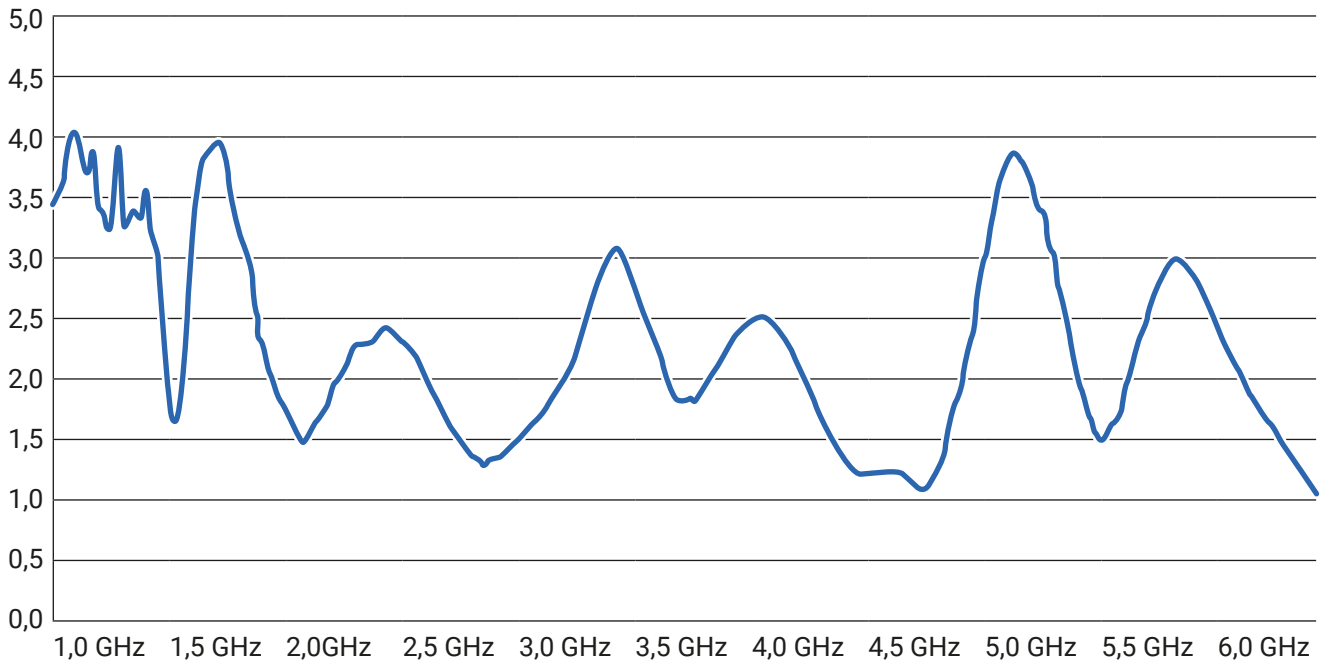


Gain Diagram OmniLOG® 70600

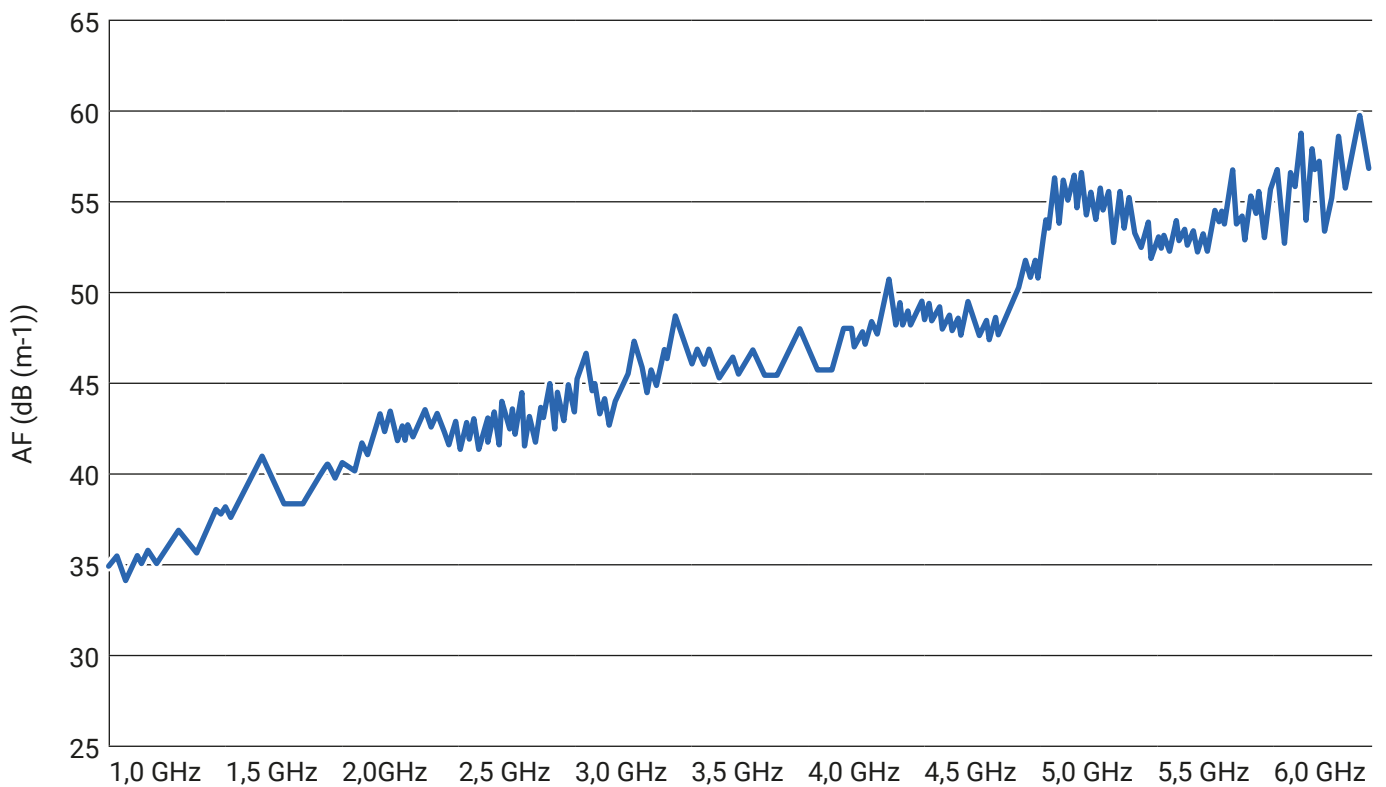


Specifications

VSWR Diagram OmniLOG® 70600



Antenna Factor Diagram OmniLOG® 70600



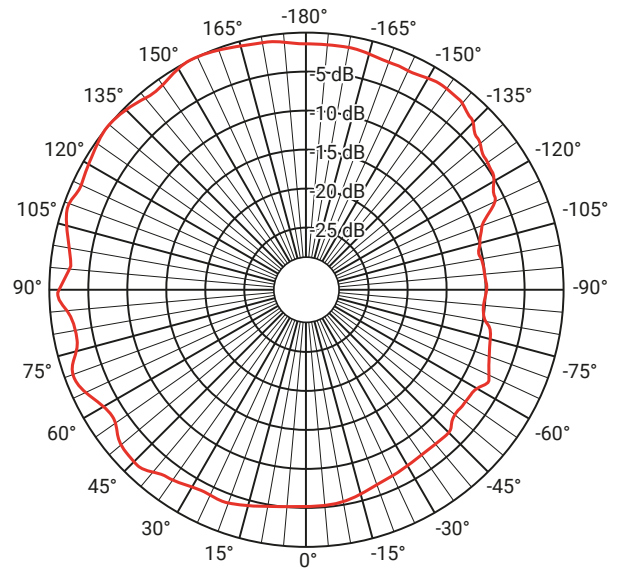
Specifications

OmniLOG® 30800

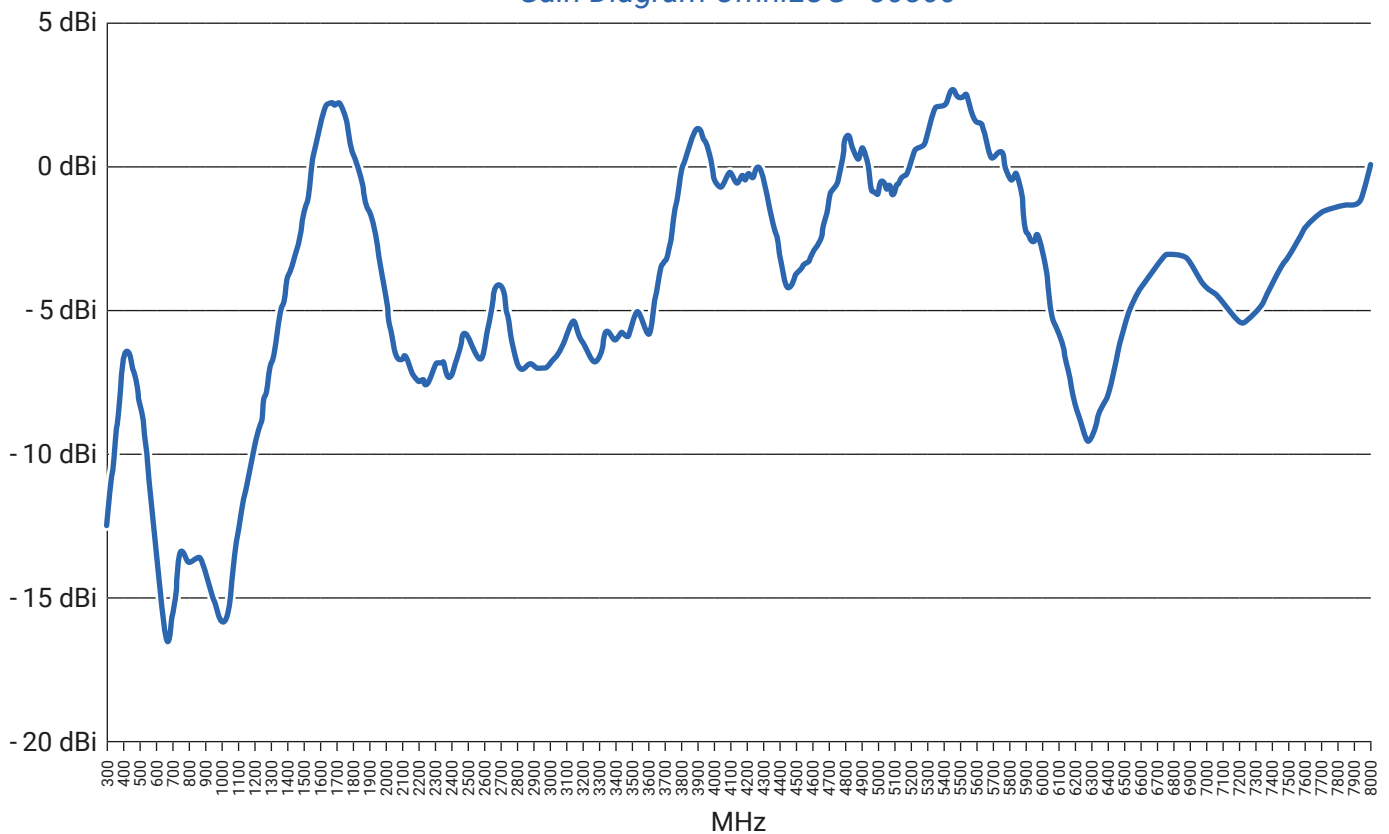
Dimensions [L x W x D]	173 x 62 x 9 mm
Weight	54 g
Design	Omnidirectional
RF Connection	SMA (male)
Frequency Range	300 MHz – 8 GHz
Nominal Impedance	50 Ohm
VSWR (typ.)	< 3:1
Max. Input Power	5 W
Temperature Range	- 40° C – + 85° C
Relative Humidity	0% – 95%
Polarisation	Linear
Warranty	2 years

RoHs compliant

Horizontal Pattern OmniLOG® 30800

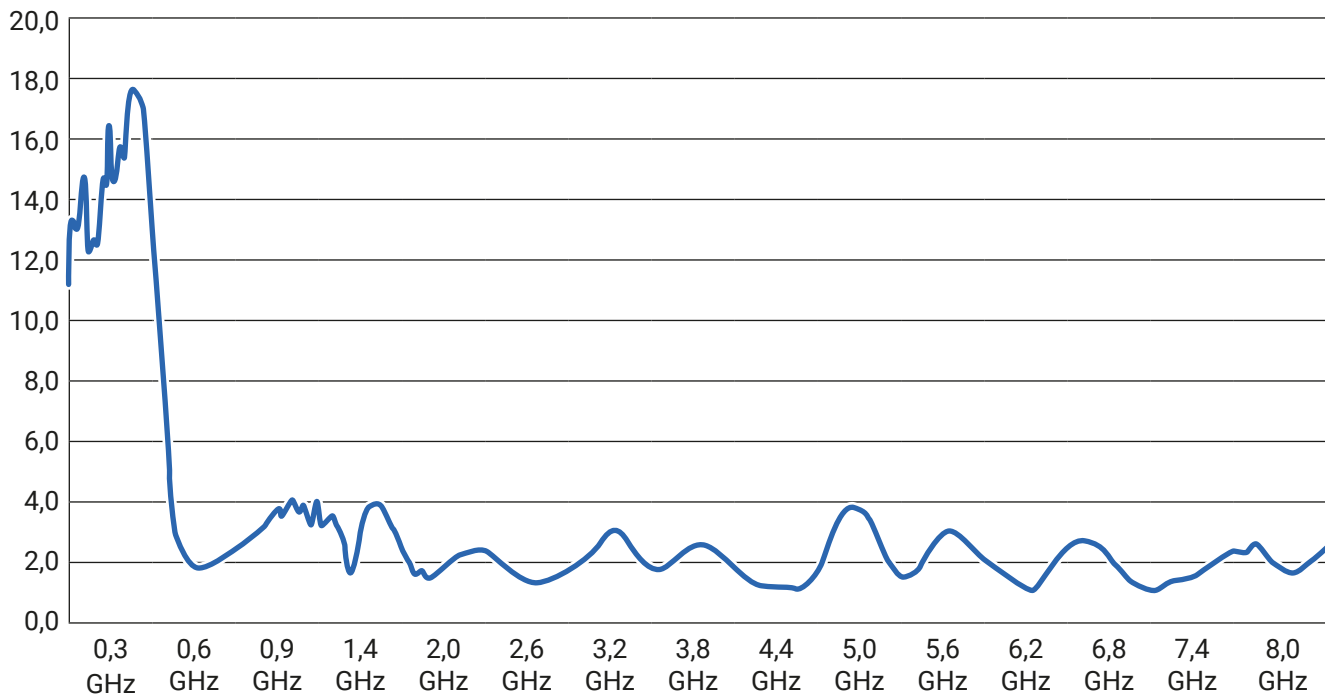


Gain Diagram OmniLOG® 30800

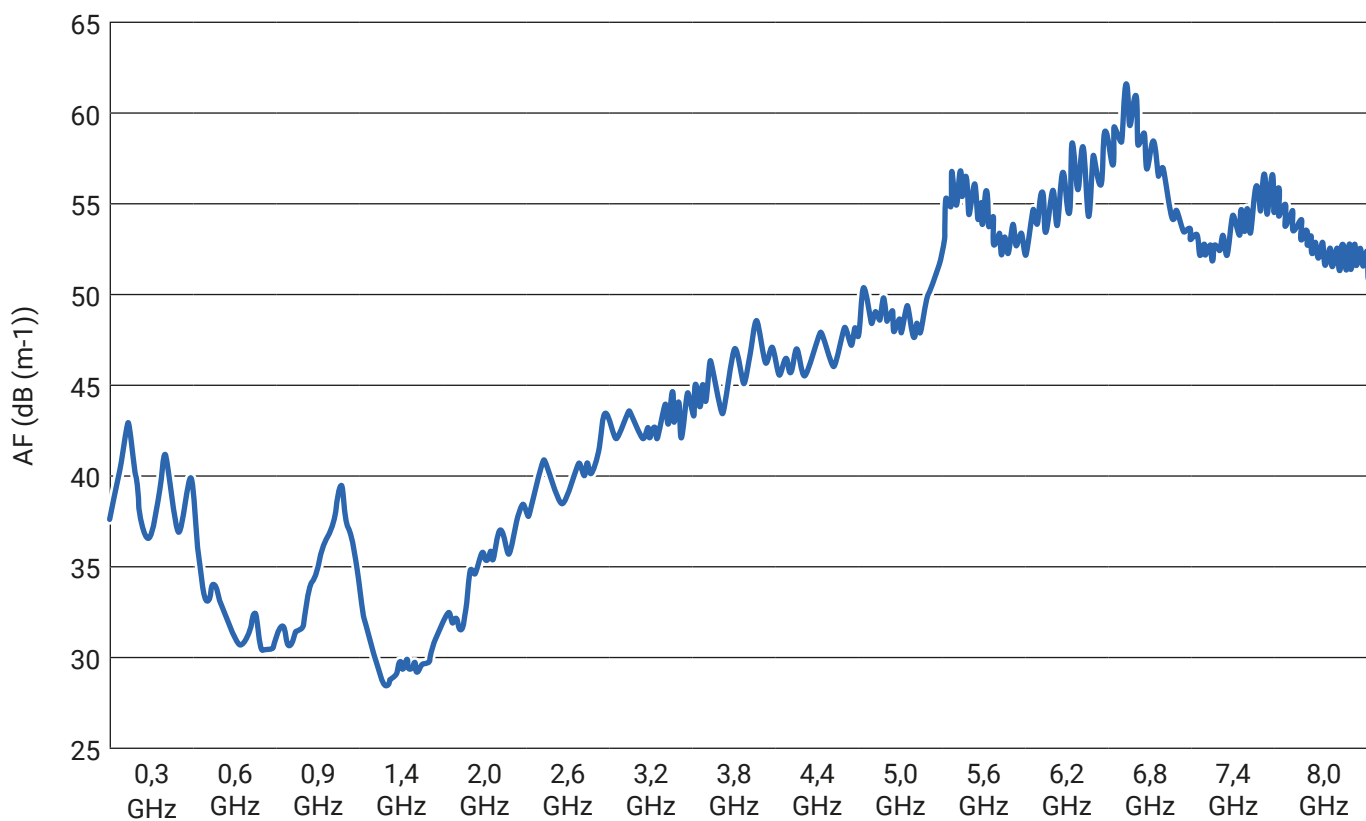


Specifications

VSWR Diagram OmniLOG® 30800



Antenna Factor Diagram OmniLOG® 30800

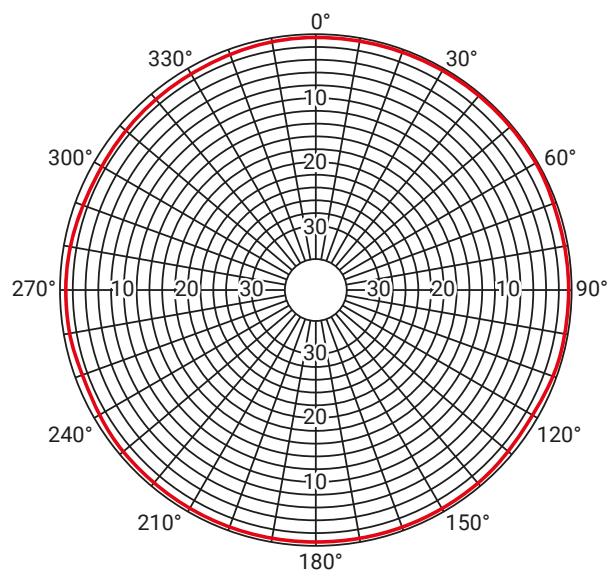


Specifications

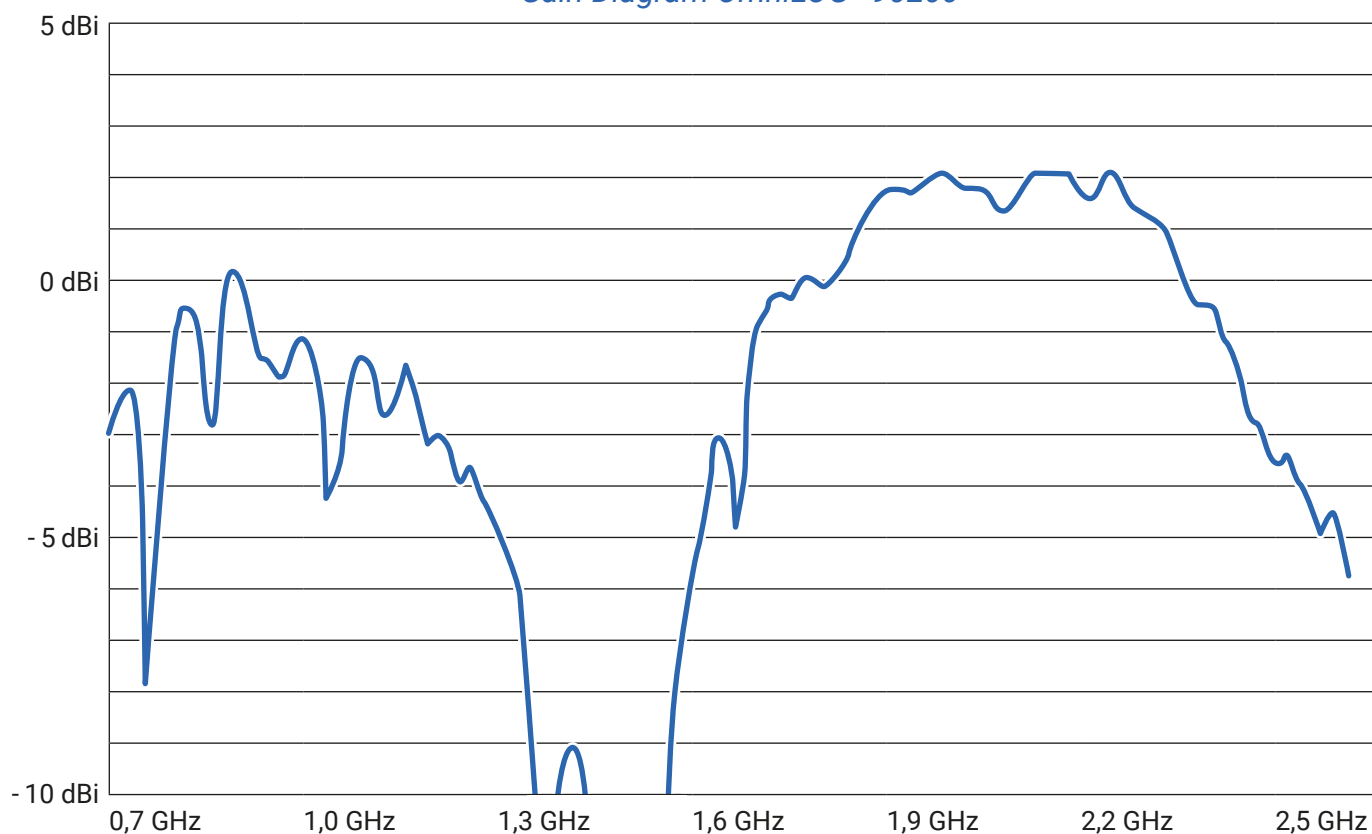
OmniLOG® 90200

Dimensions [L x W x D]	210 x 20 mm
Weight	70 g
Design	Omnidirectional
RF Connection	SMA (male)
Frequency Range	700 MHz – 2,5 GHz
Nominal Impedance	50 Ohm
VSWR (typ.)	< 3:1
Temperature Range	- 20° C – + 70° C Shock: 40 G at 10 msec
Temperature Shock	- 20° C – + 70° C 10 cycles
Warranty	2 years

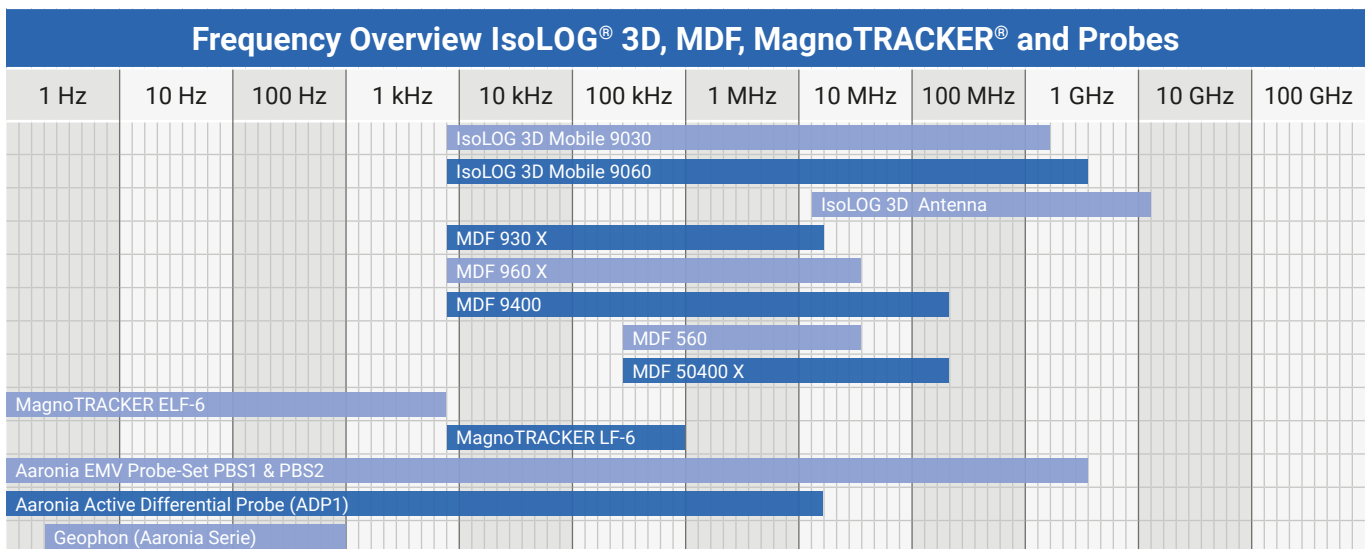
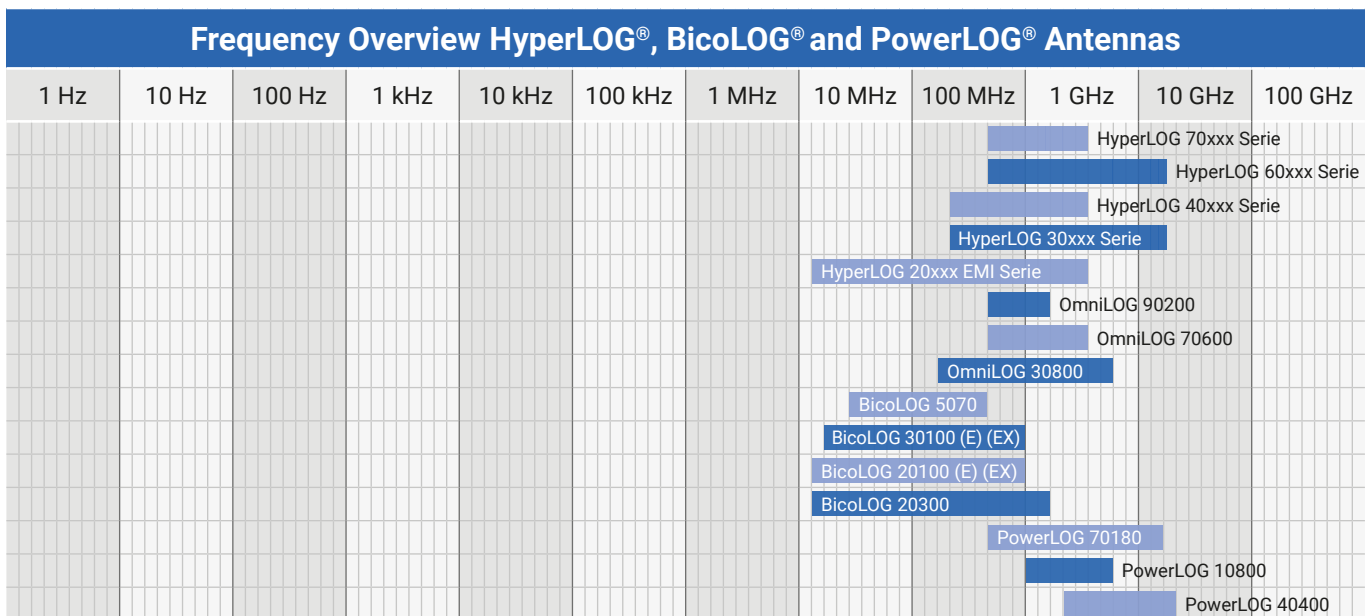
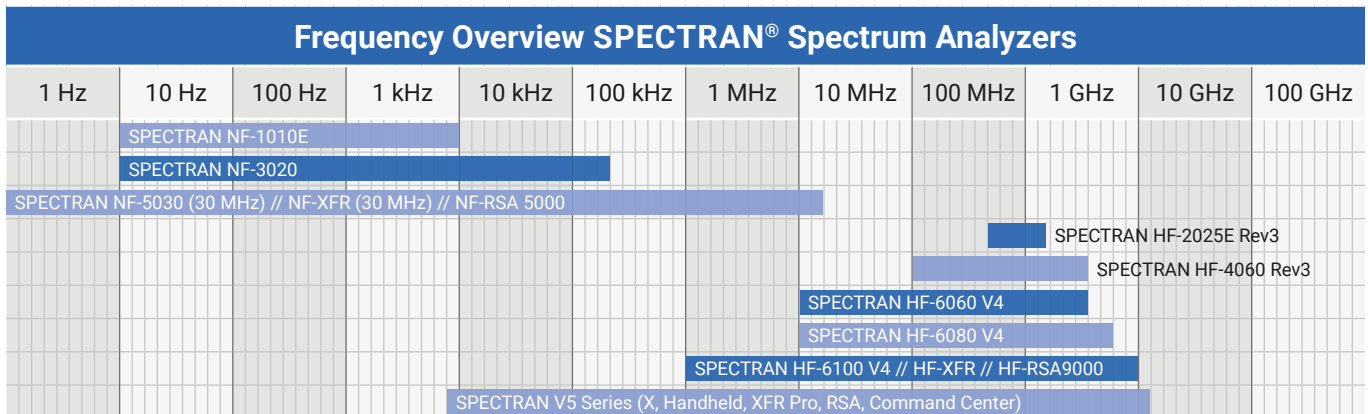
Horizontal Pattern OmniLOG® 90200



Gain Diagram OmniLOG® 90200



Frequency Overviews



REFERENCES



Selected Aaronia Clients

Government, Military, Aeronautic, Astronautic

- **NATO**, Belgium
- **Department of Defense (DoD)**, USA
- **Department of Defence**, Australia
- **Airbus**, Germany
- **Boeing**, USA
- **German Armed Forces**, Germany
- **NASA**, USA
- **Lockheed Martin**, USA
- **Lufthansa**, Germany
- **German Aerospace Center (DLR)**, Germany
- **Eurocontrol**, Belgium
- **EADS**, Germany
- **Drug Enforcement Administration (DEA)**, USA
- **Federal Bureau of Investigation (FBI)**, USA
- **Federal Criminal Police Office (BKA)**, Germany
- **Federal Police**, Germany
- **Ministry of Defence**, Netherlands

Research/Development, Science and Universities

- **MIT - Physics Department**, USA
- **California State University**, USA
- **Indonesian Institute of Science (LIPI)**, Indonesia
- **Los Alamos National Laboratory (LANL)**, USA
- **University of Bahrain**, Bahrain
- **University of Florida**, USA
- **University of Victoria**, Canada
- **University of Newcastle**, United Kingdom
- **University of Durham**, United Kingdom
- **University Strasbourg**, France
- **University of Sydney**, Australia
- **University of Athen**, Greece
- **University of Munich**, Germany
- **Technical University of Hamburg**, Germany
- **Max-Planck Inst. for Radio Astronomy**, Germany
- **Max-Planck Inst. for Nuclear Physics**, Germany
- **Research Centre Karlsruhe**, Germany

Industry

- **IBM**, Switzerland
- **Intel**, Germany
- **Shell Oil Company**, USA
- **ATI**, USA
- **Microsoft**, USA
- **Motorola**, Brazil
- **Audi**, Germany
- **BMW**, Germany
- **Daimler**, Germany
- **Volkswagen**, Germany
- **BASF**, Germany
- **Siemens AG**, Germany
- **Rohde & Schwarz**, Germany
- **Infineon**, Austria
- **Philips**, Germany
- **ThyssenKrupp**, Germany
- **EnBW (Energie Baden-Württemberg)**, Germany
- **CNN**, USA
- **Duracell**, USA
- **German Telekom**, Germany
- **Bank of Canada**, Canada
- **NBC News**, USA
- **Sony**, Germany
- **Anritsu**, Germany
- **Hewlett-Packard**, Germany
- **Bosch**, Germany
- **Mercedes-Benz**, Austria
- **Osram**, Germany
- **DEKRA**, Germany
- **AMD**, Germany
- **Keysight**, China
- **Infineon Technologies**, Germany
- **Philips Semiconductors**, Germany
- **Hyundai Europe**, Germany
- **VIAVI**, Korea
- **Wilkinson Sword**, Germany
- **IBM Deutschland**, Germany
- **Nokia-Siemens Networks**, Germany



Aaronia AG, Gewerbegebiet Aaronia AG, DE-54597 Strickscheid, Germany
Phone: +49(0)6556-900310 | Fax: +49(0)6556-900319
Email: mail@aaronia.de | URL: www.aaronia.com