

ABK / AFK Bench and Floor Scales



Adam's ABK and AFK scales are built tough to deliver reliable performance and effortless weighing. Designed for rugged industrial applications, a sleek, stainless steel indicator with superior sealing protects from dust, ensuring longevity. When used in production and warehouse environments, the large backlit display is vivid and easy-to-read, helping to streamline activities and reduce errors in data entry. Built-in limit lights make the ABK and AFK ideal for check weighing; the indicator shows when you are below your desired weight, at your required weight, or above your weight, and an audible alarm assists to give a secondary notification.

No matter what the application, the ABK and AFK offer the right combination of features and performance needed in industry today.

With over forty years of experience in the production of weighing instruments you can trust Adam for quality products that offer a range of features designed for a variety of applications.



ADAM[®]
THE RIGHT BALANCE
Speed, Performance, Value

ABK and AFK Highlights:

ABK and AFK color LED indicators make easy work of check weighing products. Indicators for low, OK and high visually show users what they need to do, making for faster, more accurate check weighing.

Simple-to-use keypad features color-coded keys for quick recognition of the most frequently used keys. For example, using the tare key to zero out a container is straightforward, as users can quickly recognize the yellow tare key.

The adjustable indicator can be set to any angle and rotated 360 degrees. The indicator is IP66 rated and can be mounted on the supplied pillar or attached to a wall as needed.

The large backlit display and capacity tracker monitor the weight limits to help protect from overloads. The ABK and AFK offer six weighing units and five weighing modes, including dynamic weighing for measuring moving objects such as liquids or animals, parts counting to perform stock checks, percentage weighing and check weighing.

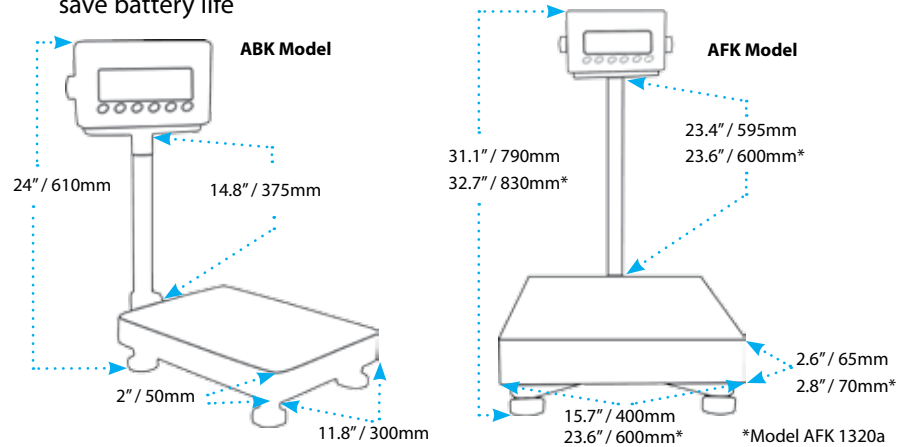
Durable industrial bench and floor scales

Features

- Six weighing units (kg, g, lb, oz, lb:oz, Newtons)
- Color-coded keypad
- Display hold function
- Large backlit display with capacity tracker
- Wall mount or pillar mount indicator, with adjustable viewing angle
- Non-slip rubber feet
- Stainless steel platform
- Stainless steel indicator, sealed for heavy dust and wet environments
- Check weighing LED indicators
- External automatic calibration
- RS-232 data output
- Rechargeable battery with up to 90 hours of operation on a single charge
- Adjustable auto sleep/power-down setting to save battery life

Applications

- Weighing
- Parts counting
- Check weighing
- Animal/Dynamic weighing
- Percentage weighing



Technical Specifications

Model	ABK 16a	ABK 35a	ABK 70a	ABK 130a	ABK 260a	AFK 165a	AFK 330a	AFK 660a	AFK 1320a
Capacity	16lb / 8000g	35lb / 16kg	70lb / 32kg	130lb / 60kg	260lb / 120kg	165lb / 75kg	330lb / 150kg	660lb / 300kg	1320lb / 600kg
Readability	0.0005lb / 0.2g	0.001lb / 0.5g	0.002lb / 1g	0.005lb / 2g	0.01lb / 5g	0.01lb / 5g	0.02lb / 10g	0.05lb / 20g	0.1lb / 50g
Repeatability (S.D.)	0.0005lb / 0.2g	0.001lb / 0.5g	0.002lb / 1g	0.005lb / 2g	0.01lb / 5g	0.01lb / 5g	0.02lb / 10g	0.05lb / 20g	0.1lb / 50g
Linearity (+/-)	0.0010lb / 0.4g	0.002lb / 1g	0.004lb / 2g	0.01lb / 4g	0.02lb / 10g	0.02lb / 10g	0.04lb / 20g	0.1lb / 40g	0.2lb / 100g
Pan Size	11.8" x 15.7" / 300 x 400mm					15.7" x 19.7" / 400 x 500mm			23.6" x 31.5" / 600 x 800mm
Weighing Units	g, kg, lb, oz, lb:oz, N								
Stabilization Time	2-3 secs								
Calibration	External								
Display	Backlit LCD display with 1.6" / 40mm digits and capacity tracker								
Power Supply	12vDC 800mA adapter or rechargeable battery (6v 4.5Ah battery)								
Operating Temperature	32°F to 104°F / -10° to +40°C								
Construction	Indicator: stainless steel - Top Pan: 304 stainless steel pan								
Overall Dimensions (wxdxh)	11.8" x 20.5" x 24" / 300 x 520 x 610mm					15.7" x 24.4" x 31.1" / 400 x 620 x 790mm			23.6" x 37" x 32.7" / 600 x 940 x 830mm
Net Weight	17.4lb / 7.9kg					28.2lb / 12.8kg			53.6lb / 24.3kg

Accessories

- No. 1120011156 ATP printer
- No. 3123011281 ATP thermal paper (10 pack)
- No. 700000012 Adam printer
- No. 400005055 Adam printer thermal paper (5 pack)

- No. 600002028 AdamDU - data collection program
- No. 1100011297 External relay output box
- No. 700400103 RS-232 cable to PC
- No. 3074010507 RS-232 to USB Interface Cable
- (must be ordered with 3074010266 RS232 cable)