

Warrior Wash-Down Scales



Warrior scales meet the demands of tough wash-down and cleanroom environments. Solid stainless steel construction of the base and indicator provide rugged durability. IP66-rated, the Warrior comes with all the features necessary to perform a variety of functions in the food, pharmaceutical, veterinary and manufacturing industries.

The check-weighing function, with colored LED lights, makes smooth work of precisely weighing repetitive samples. Other application modes available on all Warrior models are parts counting, percentage weighing and dynamic weighing. The large vivid display is backlit for easy reading, reducing the chance of errors when transcribing data. With data output via a RS-232 connector and optional relay triggers, the Warrior can be set to control other devices. It is loaded with smart features you rely on Adam to deliver.

With more than 40 years of experience in the production of weighing instruments, you can trust Adam for quality products that offer a range of features designed for a variety of applications.



ADAM[®]
THE RIGHT BALANCE
Speed, Performance, Value

Warrior Highlights:

With its IP66-rated stainless steel indicator and IP67-rated load cell, cleaning is quick and easy with a simple hosing.

LED indicators streamline check-weighing activities. Indicators for high, low and OK show the user what to do, making for faster, more accurate check-weighing procedures.

The efficiently designed keypad with color-coded keys and symbols facilitates quick recognition of the most frequently used functions. Push-button keys are large and well-positioned, minimizing the chance of errors.

Its adjustable indicator can be set to any angle, and the indicator can be rotated 360 degrees. A large backlit display and capacity tracker monitor weight limits to help protect from overloads.

The Warrior offers six weighing units and six weighing modes, including dynamic weighing for measuring moving objects such as liquids or animals, parts counting to perform inventory checks, percentage weighing, check counting and check weighing.

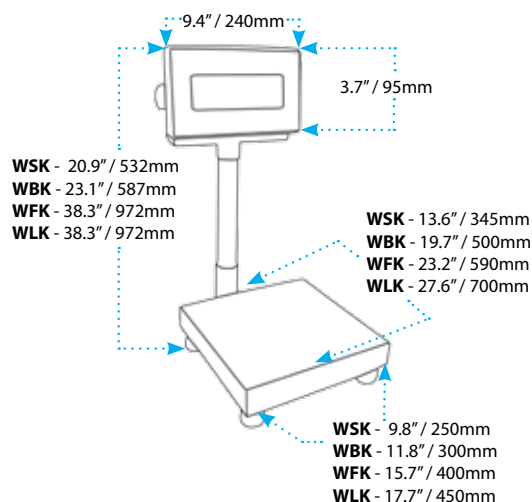
Rugged wash-down design and numerous features combine in an elegant yet robust weighing scale

Features

- Six weighing units (g, kg, lb, oz, lb:oz, N)
- Color-coded keypad with symbols and text
- Display/hold function
- Large backlit display with capacity tracker
- Adjustable indicator for ultimate viewing angle
- Non-slip rubber feet
- Type 304 stainless steel construction
- IP66-rated indicator and IP67-rated load cell for wash-down and dust protection
- Check-weighing LED indicators
- External automatic calibration
- RS-232 data output for connection to computers and printers
- Optional expansion unit for relay output
- Rechargeable battery with up to 90 hours of operation on a single charge
- Adjustable auto-sleep/power-down setting to save battery life

Applications

- Weighing
- Parts counting
- Check weighing
- Animal/dynamic weighing
- Percentage weighing
- Check counting



Technical Specifications

Model	WSK 16a	WSK 35a	WSK 70a	WBK 70a	WBK 165a	WFK 165a	WFK 330a	WLK 330a
Capacity	16lb / 8kg	35lb / 16kg	70lb / 32kg	70lb / 32kg	165lb / 75kg	165lb / 75kg	330lb / 150kg	330lb / 150kg
Readability	0.001lb / 0.5g	0.002lb / 1g	0.005lb / 2g	0.005lb / 2g	0.01lb / 5g	0.01lb / 5g	0.02lb / 10g	0.02lb / 10g
Repeatability (S.D.)	0.002lb / 1g	0.004lb / 2g	0.010lb / 4g	0.010lb / 4g	0.02lb / 10g	0.02lb / 10g	0.04lb / 20g	0.04lb / 20g
Linearity (+/-)	0.002lb / 1g	0.004lb / 2g	0.010lb / 4g	0.010lb / 4g	0.02lb / 10g	0.02lb / 10g	0.04lb / 20g	0.04lb / 20g
Pan Size	9.8" x 9.8" / 250 x 250mm			11.8" x 15.7" / 300 x 400mm		15.7" x 19.7" / 400 x 500mm		17.7" x 23.6" / 450 x 600mm
Weighing Units	g, kg, lb, oz, lb:oz, N							
Stabilization Time	2-3 seconds							
Calibration	External							
Display	Backlit display with 1.6" / 40mm digits and capacity tracker							
Power Supply	12vDC 800mA adapter or rechargeable battery (6v 4.5Ah battery)							
Operating Temperature	32°F to 104°F / -10° to +40°C							
Housing	Type 304 stainless steel base and indicator, IP66-rated							
Overall Dimensions (wx dxh)	9.8" x 13.6" x 20.9" / 250 x 345 x 532mm			11.8" x 19.7" x 23.1" / 300 x 500 x 587mm		15.7" x 23.2" x 38.3" / 400 x 590 x 972mm		17.7" x 27.6" x 38.3" / 450 x 700 x 972mm
Net Weight	13.2lb / 6kg			19.8lb / 9kg		28.6lb / 13kg		41.8lb / 19kg

Accessories

No. 1120011156 ATP printer
 No. 3123011281 ATP thermal paper (10 pack)
 No. 700000012 Adam printer

No. 400005055 Adam printer thermal paper (5 pack)
 No. 600002028 AdamDU - data collection program
 No. 1100011297 External relay output box