



HMI Cover Kit

Human Machine Interface Cover Kit

Base P/N AMHMI

Allied Moulded's HMI cover kits are designed to provide protection for instruments or electronics requiring routine attention or detail and makes accessibility to electronic components easy! The kits are available in a variety of sizes to accommodate varying HMI display sizes and panel configurations, and securely mount to the outside of any enclosure option.

The cover kits feature a strong and rigid design and are well suited for a variety of indoor or outdoor applications. They are UL® listed and come standard with multiple cover latching options, and are available in solid opaque or polycarbonate thermoplastic clear covers for easy component visibility. Optional prop arms secure the cover kit in the "open" position, and allow for easy access to electrical components.



Application

- Ideal for covering and protecting instruments or electronics through an enclosure wall, while maintaining all applicable standards and classifications
- No need to open the enclosure to view electronics or perform maintenance, decreasing arc flash risks and safety hazards
- Includes mounting hole pattern for easy cover kit installation
- Protects from UV, dirt, dust, oil and water



Scan to learn more about HMI Cover Kits!

Construction

- Clear polycarbonate thermoplastic, or polycarbonate for opaque covers
- 316 stainless steel external cover latching hardware and hinge pin
- 316 stainless steel snap latches feature padlock hasp (3/8")
- UV stabilized for outdoor use
- Formed-In-Place (FIP) polyurethane gasket in continuous channel
- Designed for use with wall thicknesses ranging from 16 gauge through 1/4"
- #10-32 threaded brass inserts with plated steel mounting fasteners

Standards

- UL® listed and recognized component for use with CSA® listed enclosure products Types 1, 2, 3, 3R, 4, 4X, 12 and 13
- EN / IEC 60204-1 and 60529 Type IP66

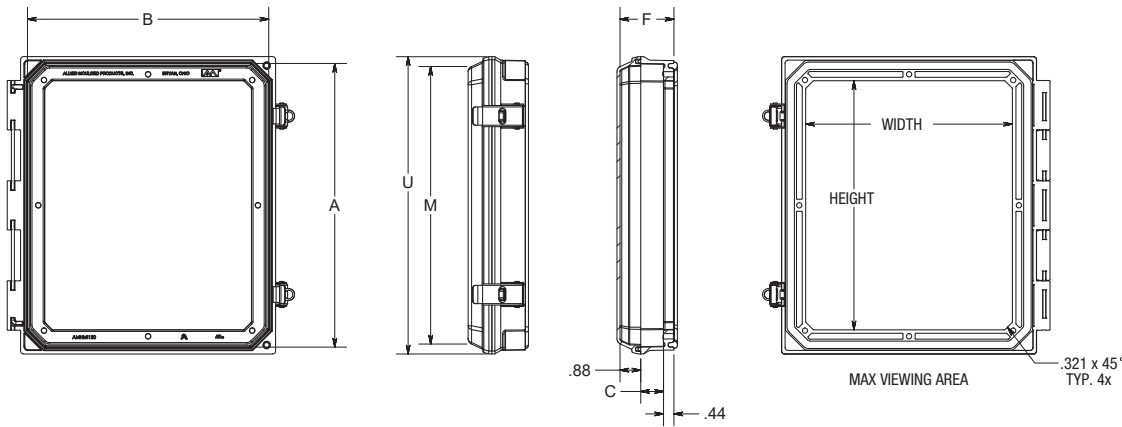
Additional Accessories

Other available accessories include back panel kits, ULTRAPLUG® hole plugs, inspection windows, vent kits, pole mount kits, and much more!

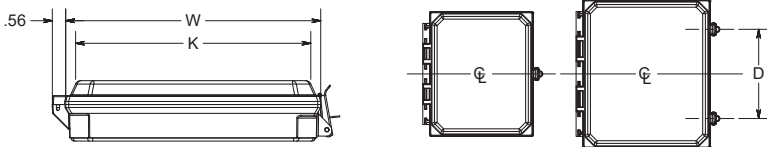
Custom Modifications

Custom holes and cutouts, along with polycarbonate viewing windows are available. Contact factory for additional modification options.





LATCH LOCATIONS



Note: For use on flat smooth surfaces of NEMA Types 1, 3, 3R, 4, 4X, 12 or 13 enclosures

FOR USE ON
8X8
10X8

FOR USE ON
12x10 D=7.5 (191mm)
14x12 D=8.00 (203mm)
16x14 D=9.00 (229mm)
20x16 D=16.81 (427mm)

Part No. Configuration Options	
Part No. Suffix	Description
CCH	Clear Cover Hinge / 2 Screws
CCHTP	Clear Cover Hinge Tamper Proof Screw
CCL	Clear Cover Hinge Snap Latch
H	Opaque Cover Hinge / 2 Screws
HTP	Opaque Cover Hinge Tamper Proof Screw
L	Opaque Cover Hinge Snap Latch

Prop Arm Size Configuration	
HMI Size	Part No.
6"x6"	AMHMIPROP66
8"x6"	AMHMIPROP86
8"x8"	AMHMIPROP88
10"x8"	AMHMIPROP108
12"x10"	AMHMIPROP120
14"x12"	AMHMIPROP142
16"x14"	AMHMIPROP164
20"x16"	AMHMIPROP206

Base Part No.	Frame Size Inside Dimensions			Usable Depth	Cover Size				Max Viewing Area		Nom. Wall Thickness
	A	B	C		F	K	M	W	U	Width	
AMHMI66	5.93	6.15	0.96	2.27	5.43	5.21	6.72	6.5	4.69	4.47	0.14
	151mm	156mm	24mm	58mm	138mm	132mm	171mm	165mm	119mm	114mm	4mm
AMHMI86	7.93	6.15	0.96	2.27	5.43	7.21	6.72	8.5	4.69	6.47	0.14
	201mm	156mm	24mm	58mm	138mm	183mm	171mm	216mm	119mm	164mm	4mm
AMHMI88	7.93	8.15	0.96	2.27	7.75	7.53	8.72	8.5	6.69	6.47	0.14
	201mm	207mm	24mm	58mm	197mm	191mm	221mm	216mm	170mm	164mm	4mm
AMHMI108	9.93	8.15	0.96	2.27	7.89	9.67	8.72	10.5	6.69	8.47	0.14
	252mm	207mm	24mm	58mm	200mm	246mm	221mm	267mm	170mm	215mm	4mm
AMHMI120	11.93	10.15	0.96	2.27	9.89	11.67	10.72	12.5	8.69	10.47	0.14
	303mm	258mm	24mm	58mm	251mm	296mm	272mm	318mm	221mm	266mm	4mm
AMHMI142	13.95	12.07	0.96	2.2	11.89	13.67	12.72	14.5	10.71	12.49	0.19
	354mm	307mm	24mm	56mm	302mm	347mm	323mm	368mm	272mm	317mm	5mm
AMHMI164	15.87	14.07	0.96	2.2	13.89	14.72	14.72	16.5	12.71	14.49	0.19
	403mm	357mm	24mm	56mm	353mm	374mm	374mm	419mm	323mm	368mm	5mm
AMHMI206	19.85	16.07	0.96	2.27	15.75	19.53	16.72	20.5	14.71	18.49	0.19
	504mm	408mm	24mm	58mm	400mm	496mm	425mm	521mm	374mm	470mm	5mm

All dimensions are in inches unless otherwise noted
Base part number listed only. To complete part number, refer to the "Part # Suffix" chart above
Refer to website for complete mounting hole pattern configuration

Data subject to change without notice

Add the "Part No. Suffix" to the base part number to create a complete HMI cover kit (ex. AMHMI206CCL is a 20" x 16" with a clear cover and latch)

Options/ Accessories



Cover Latching Options



Secure Hinge Pin



Formed-In-Place Gasket



Prop Arm

