

AM-R Series JIC Size Junction Boxes: Twist Latch Hinged Cover

APPLICATION

- Designed to insulate and house electrical and electronic controls, instruments or components for indoor and outdoor applications
- Especially well suited for high temperature or corrosive environments
- Protects from dirt, dust, oil and water

STANDARDS

- UL Types 1, 2, 3, 4, 4X, 12, and 13
- CSA Types 1, 2, 3, 3R, 4, 4X, 12 and 13
- NEMA Types 1, 2, 3, 3R, 4, 4X, 12 and 13
- IEC 60529 Type IP66
- Compliant with RoHS directive (Restriction of Hazardous Substances)

CONSTRUCTION

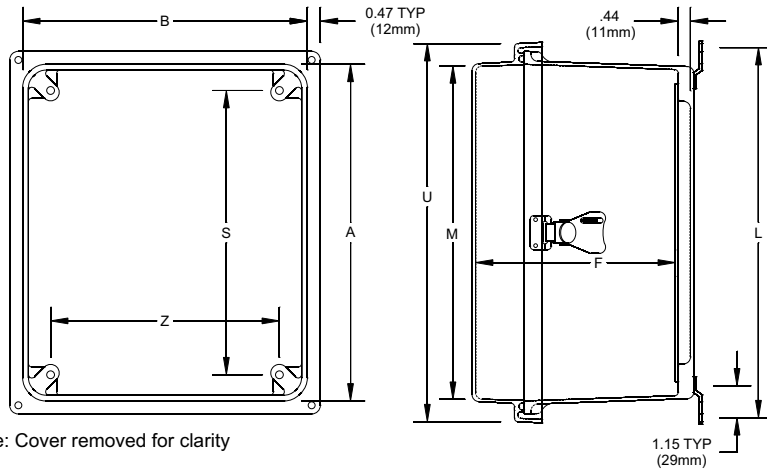
- Strong, molded Ultraguard® fiberglass reinforced polyester material construction with matching raised cover
- 300 series stainless steel twist latches feature padlock hasp
- Continuous 300 series stainless steel hinge
- Gasket made of closed-cell neoprene cord encased in a continuous channel
- 300 series stainless steel wall mounting feet with 10-32 stainless steel screws included
- 10-32 threaded inserts are installed for optional back panel
- JIC sizing
- Ultraguard® fiberglass material is easily punched, drilled or sawed
- UV stabilized for outdoor use

ACCESSORIES

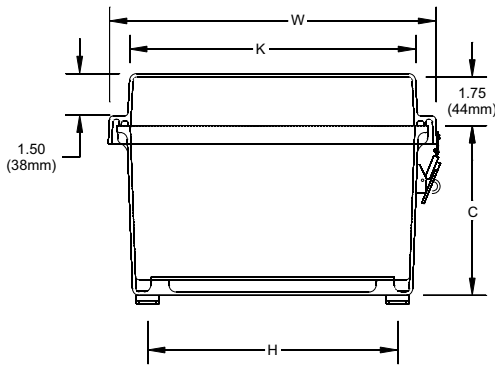
- Optional back panels (See table on pages 100-101.)
- Optional hinged front panel (See table on page 102.)
- Optional thermal management products (See pages 103-104.)

MODIFICATIONS

- Custom size holes and cutouts
- Custom size polycarbonate viewing windows
- Molded-in color matches
- Hinge installed on short side
- EMI/RFI shielding
- Factory-supplied silk screening



Note: Cover removed for clarity



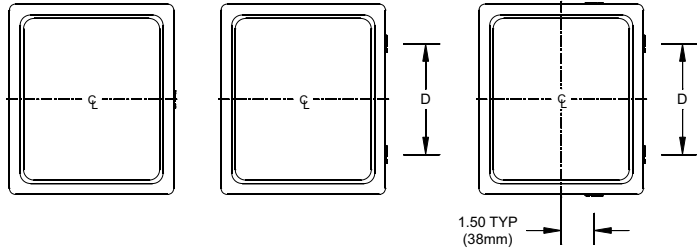
Nominal 1/8" (3mm) wall thickness

LATCH LOCATIONS

For use on
6x6x4
8x6x4
10x8x4
10x8x6

For use on
12x10x6 D=8.00 (203mm)
14x12x6 D=8.54 (217mm)
16x14x8 D=8.54 (217mm)

For use on
18x16x8 D=6.50 (165mm)
20x16x8 D=10.52 (267mm)



Part No.	Box Size			Usable Depth F	Panel Boss Centers		Panel Sizes		Foot Mount Centers		Cover Size			
	A	B	C		S	Z	Height	Width	H	L	K	M	U	W
AM664RT	6.10 155mm	6.10 155mm	4.18 106mm	5.26 134mm	4.25 108mm	4.25 108mm	4.81 122mm	4.81 122mm	5.01 127mm	7.32 186mm	6.08 154mm	6.08 154mm	7.69 195mm	7.69 195mm
AM864RT	8.00 203mm	6.13 156mm	4.13 105mm	5.21 132mm	6.25 159mm	4.25 108mm	6.75 171mm	4.88 124mm	5.01 127mm	9.19 233mm	6.11 155mm	7.98 203mm	9.59 244mm	7.71 196mm
AM1084RT	10.14 258mm	8.26 210mm	4.13 105mm	5.21 132mm	8.25 210mm	6.25 159mm	8.75 222mm	6.88 175mm	7.01 178mm	11.19 284mm	8.44 214mm	10.32 262mm	11.73 298mm	9.85 250mm
AM1086RT	10.14 258mm	8.26 210mm	6.13 156mm	7.21 183mm	8.25 210mm	6.25 159mm	8.75 222mm	6.88 175mm	7.01 178mm	11.19 284mm	8.44 214mm	10.32 262mm	11.73 298mm	9.85 250mm
AM1206RT	12.14 308mm	10.26 261mm	6.13 156mm	7.21 183mm	10.25 260mm	8.25 210mm	10.75 173mm	8.88 226mm	9.01 229mm	13.19 335mm	10.45 265mm	12.32 313mm	13.73 349mm	11.85 301mm
AM1426RT	14.13 359mm	12.26 311mm	6.13 156mm	7.21 183mm	12.25 311mm	10.25 260mm	12.75 324mm	10.88 276mm	11.01 280mm	15.19 386mm	12.45 316mm	14.32 364mm	15.73 400mm	13.85 352mm
AM1648RT	16.27 413mm	14.40 366mm	8.13 207mm	9.21 234mm	14.25 362mm	12.25 311mm	14.75 375mm	12.88 327mm	13.01 330mm	17.19 437mm	13.86 352mm	15.73 400mm	17.87 454mm	15.99 406mm
AM1868RT	18.40 467mm	16.40 417mm	8.13 207mm	9.21 234mm	16.25 413mm	14.25 362mm	16.88 429mm	14.88 378mm	14.97 380mm	19.28 490mm	15.86 403mm	17.86 454mm	20.00 508mm	18.00 457mm
AM2068RT	20.00 508mm	16.00 406mm	8.13 207mm	9.21 234mm	17.81 452mm	13.81 351mm	18.44 468mm	14.44 367mm	14.54 369mm	20.84 529mm	15.43 392mm	19.43 494mm	21.59 548mm	17.59 447mm

All dimensions are in inches unless otherwise noted.



Order Today: 419-636-4217, Fax: 419-636-2450, e-mail: sales@alliedmoulded.com