

## AM Series JIC Size Junction Boxes: Hinged Screw Cover

### APPLICATION

- Designed to insulate and house electrical and electronic controls, instruments or components for indoor and outdoor applications
- Especially well suited for high temperature or corrosive environments
- Protects from dirt, dust, oil and water
- For use with industrial control equipment in ordinary locations

### STANDARDS

- UL Types 1, 2, 3, 4, 4X, 12, and 13
- CSA Types 1, 2, 3, 3R, 4, 4X, 12 and 13
- NEMA Types 1, 2, 3, 3R, 4, 4X, 12 and 13
- IEC 60529 Type IP66
- Compliant with RoHS directive (Restriction of Hazardous Substances)

### CONSTRUCTION

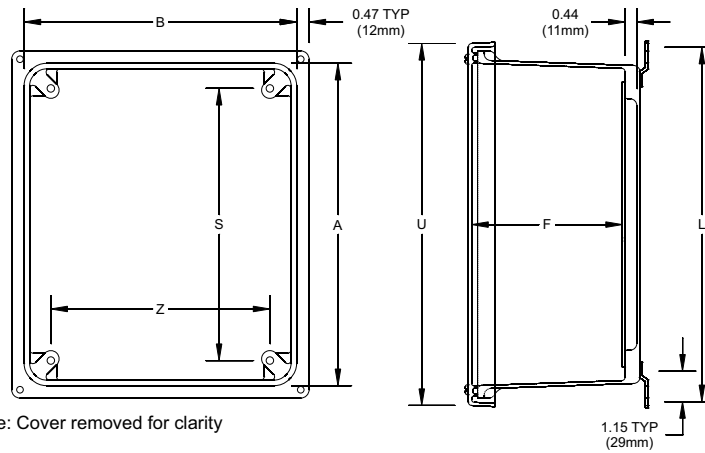
- Strong, molded Ultraguard® fiberglass reinforced polyester material construction with matching flat cover
- 300 series stainless steel captive cover screws
- Continuous 300 series stainless steel hinge
- Gasket made of closed cell neoprene cord encased in a continuous channel
- 300 series stainless steel wall mounting feet with 10-32 stainless steel screws included
- 10-32 threaded inserts are installed for optional back panel
- JIC sizing
- Ultraguard® fiberglass material is easily punched, drilled or sawed
- UV stabilized for outdoor use

### ACCESSORIES

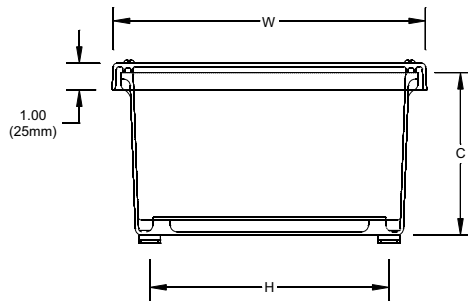
- Optional back panels (See table on pages 100-101.)
- Optional thermal management products (See pages 103-104.)

### MODIFICATIONS

- Custom holes and cutouts
- Custom size polycarbonate viewing windows
- Molded-in color matches
- Hinge installed on short side
- EMI/RFI shielding
- Factory-supplied silk screening



Note: Cover removed for clarity



Nominal 1/8" (3mm) wall thickness

Part No.	Box Size			Usable Depth F	Panel Boss Centers		Panel Sizes		Foot Mount Centers		Cover Size	
	A	B	C		S	Z	Height	Width	H	L	U	W
AM664H	6.10 155mm	6.10 155mm	4.18 106mm	3.76 96mm	4.25 108mm	4.25 108mm	4.81 122mm	4.81 122mm	5.01 127mm	7.32 186mm	7.69 195mm	7.69 195mm
AM864H	8.00 203mm	6.13 156mm	4.13 105mm	3.68 93mm	6.25 159mm	4.25 108mm	6.75 171mm	4.88 124mm	5.01 127mm	9.19 233mm	9.59 244mm	7.71 196mm
AM1084H	10.14 258mm	8.26 210mm	4.13 105mm	3.68 93mm	8.25 210mm	6.25 159mm	8.75 222mm	6.88 175mm	7.01 178mm	11.19 284mm	11.73 298mm	9.85 250mm
AM1086H	10.14 258mm	8.26 210mm	6.13 156mm	5.68 144mm	8.25 210mm	6.25 159mm	8.75 222mm	6.88 175mm	7.01 178mm	11.19 284mm	11.73 298mm	9.85 250mm
AM1206H	12.14 308mm	10.26 261mm	6.13 156mm	5.68 144mm	10.25 260mm	8.25 210mm	10.75 273mm	8.88 226mm	9.01 229mm	13.19 335mm	13.73 349mm	11.85 301mm
AM1426H	14.13 359mm	12.26 311mm	6.13 156mm	5.68 144mm	12.25 311mm	10.25 260mm	12.75 324mm	10.88 276mm	11.01 280mm	15.19 386mm	15.73 400mm	13.85 352mm
AM1648H	16.27 413mm	14.40 366mm	8.13 207mm	7.68 195mm	14.25 362mm	12.25 311mm	14.75 375mm	12.88 327mm	13.01 330mm	17.19 437mm	17.87 454mm	15.99 406mm
AM1868H	18.40 467mm	16.40 417mm	8.13 207mm	7.68 195mm	16.25 413mm	14.25 362mm	16.88 429mm	14.88 378mm	14.97 380mm	19.28 490mm	20.00 508mm	18.00 457mm
AM2068H	20.00 508mm	16.00 406mm	8.13 207mm	7.68 195mm	17.81 452mm	13.81 351mm	18.44 468mm	14.44 367mm	14.54 369mm	20.84 529mm	21.59 548mm	17.59 447mm

All dimensions are in inches unless otherwise noted.



Order Today: 419-636-4217, Fax: 419-636-2450, e-mail: sales@alliedmoulded.com