

Instructions for Installing HMI Cover

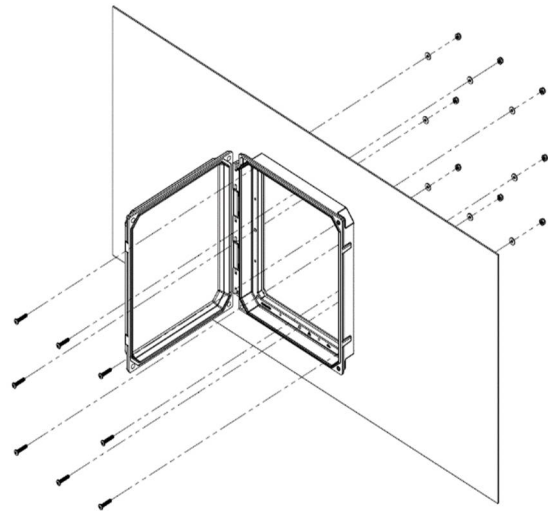
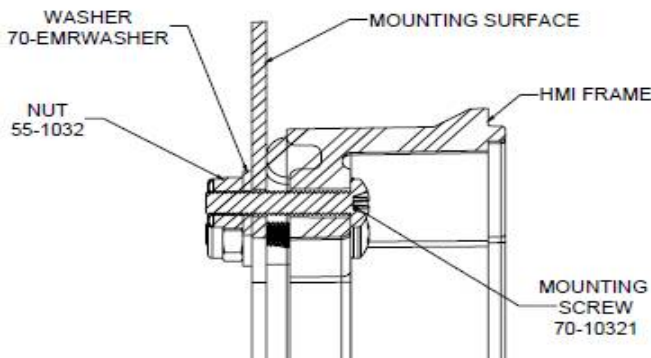
NOTE: Philips Screw Driver or similar tool is required to install cover.

1. Place frame on a flat smooth surface and mark hole locations and panel opening.
2. Drill or cut holes 7/32 or #2 (.220 Dia) and opening accordingly. (Prior to mounting clean surface and gasket of debris.)
3. Mount HMI Cover with supplied mounting hardware. Hardware applicable to mounting surface thickness of .059" - .250". Hardware torque specification 15 - 20 in -lbs.
4. Hardware kit includes:
 - 70-10321 quantity 10. 10-32 X 1 Pan Head Machine Screw.
 - 70-EMRWASHER quantity 10. Stainless Steel Washer Rivet.
 - 55-1032 quantity 10. Nut 10-32 With Nylon Insert.

PART NUMBER	NUMBER OF KITS	MAX PANEL CUTOUT SIZE (IN.)		NUMBER OF FASTENERS NEEDED
		H	W	
AMHMI88	1	6.47	6.69	8
AMHMI108	1	8.47	6.69	8
AMHMI120	1	10.47	8.69	8
AMHMI142	1	12.49	10.71	10
AMHMI164	1	14.49	12.71	10
AMHMI206	2	18.49	14.71	18

May include extra hardware depending on HMI frame size.

Note: Part includes padlock feature on latch that may be used to prevent unauthorized or unintentional opening of the latches.



Allied Moulded Products, Inc.

222 North Union Street • Bryan, OH 43506
 Phone: 1-800-722-2679 • Fax: 1-800-237-7269
www.alliedmoulded.com