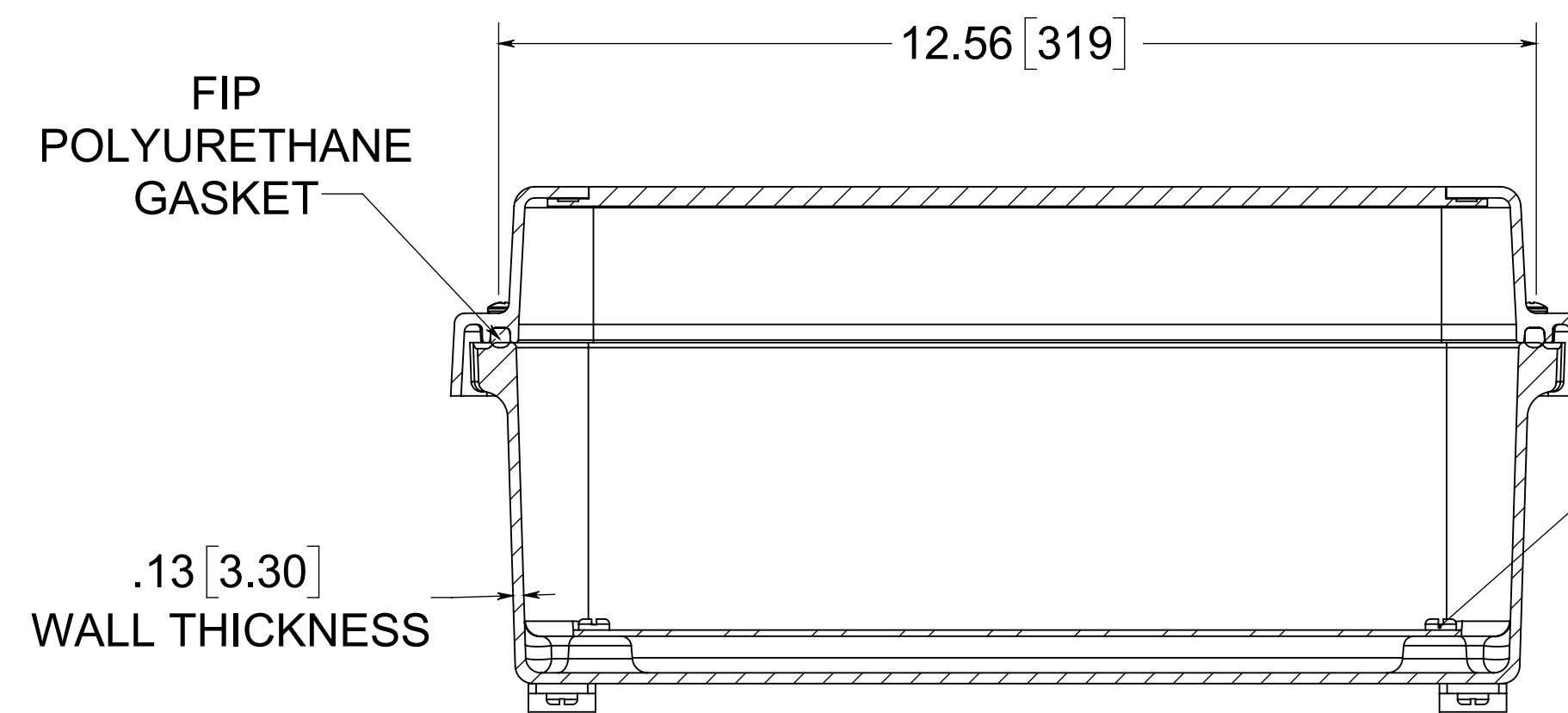


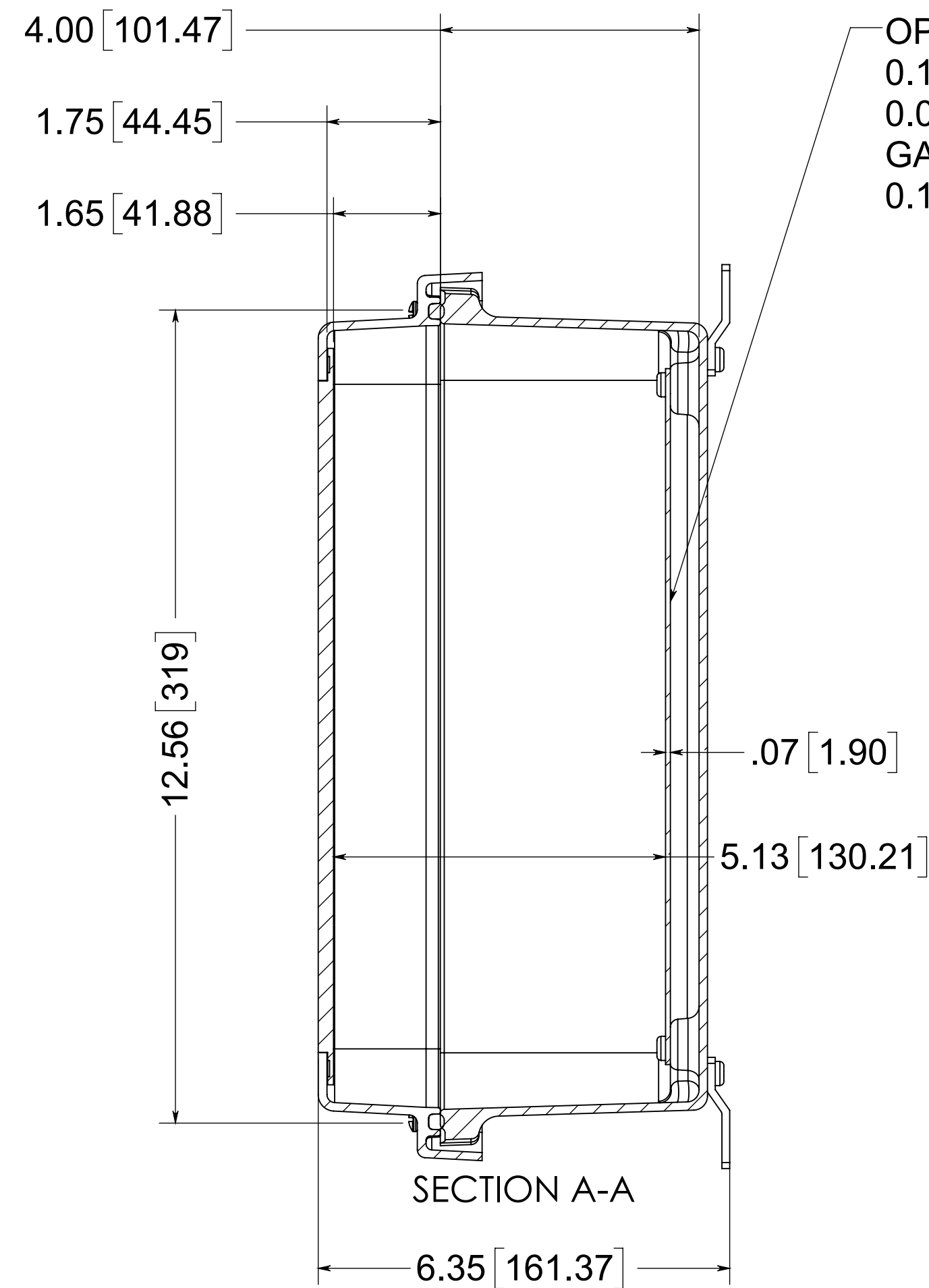
(4) EACH #10-32 BRASS INSERTS AND 316 STAINLESS STEEL CAPTIVE COVER SCREWS WITH RETAINING O-RING



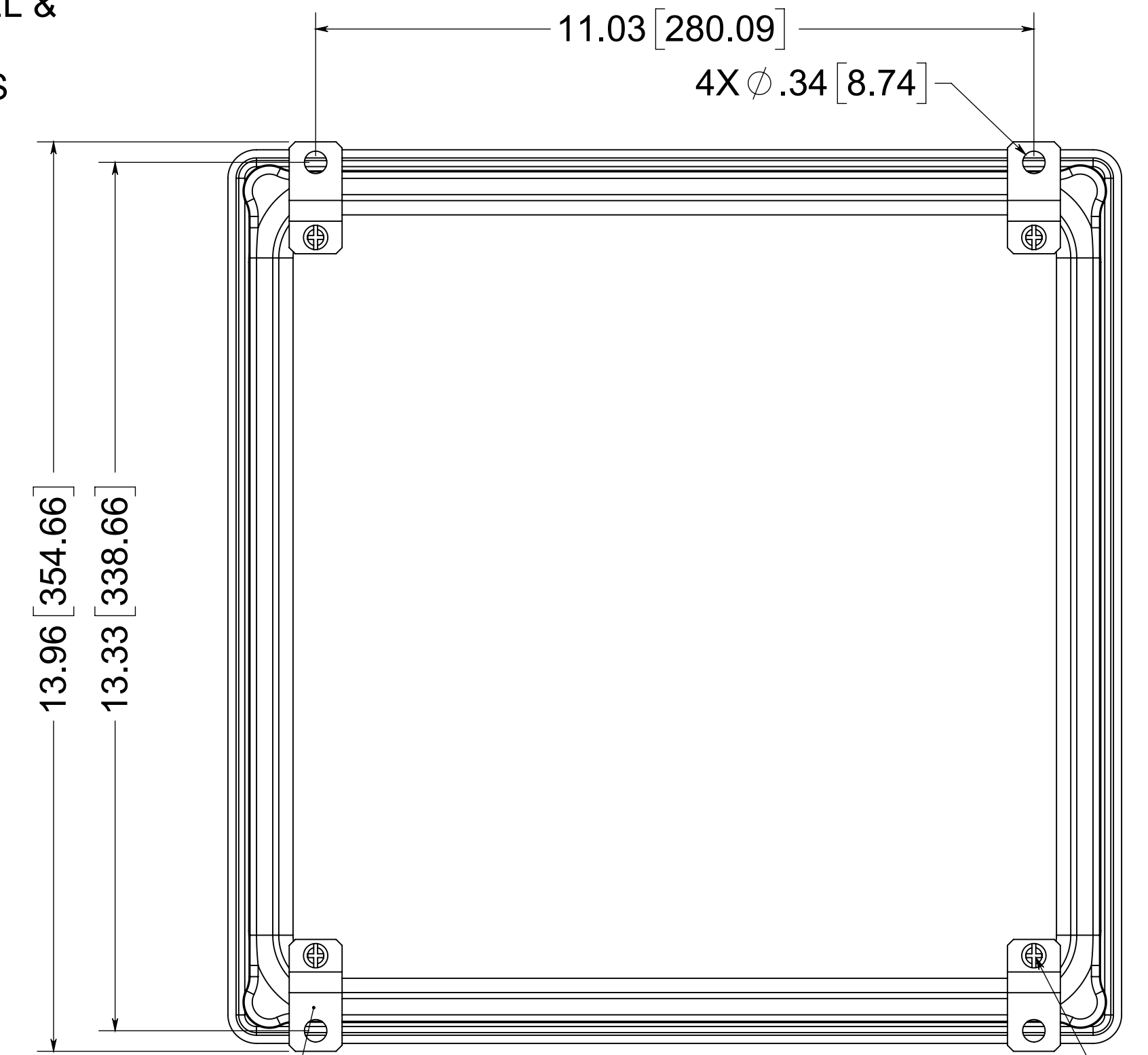
SECTION B-B

MATERIAL:

BOX - COMPRESSION MOLDED FIBERGLASS REINFORCED POLYESTER
COVER - COMPRESSION MOLDED FIBERGLASS REINFORCED POLYESTER
WINDOWS - POLYCARBONATE

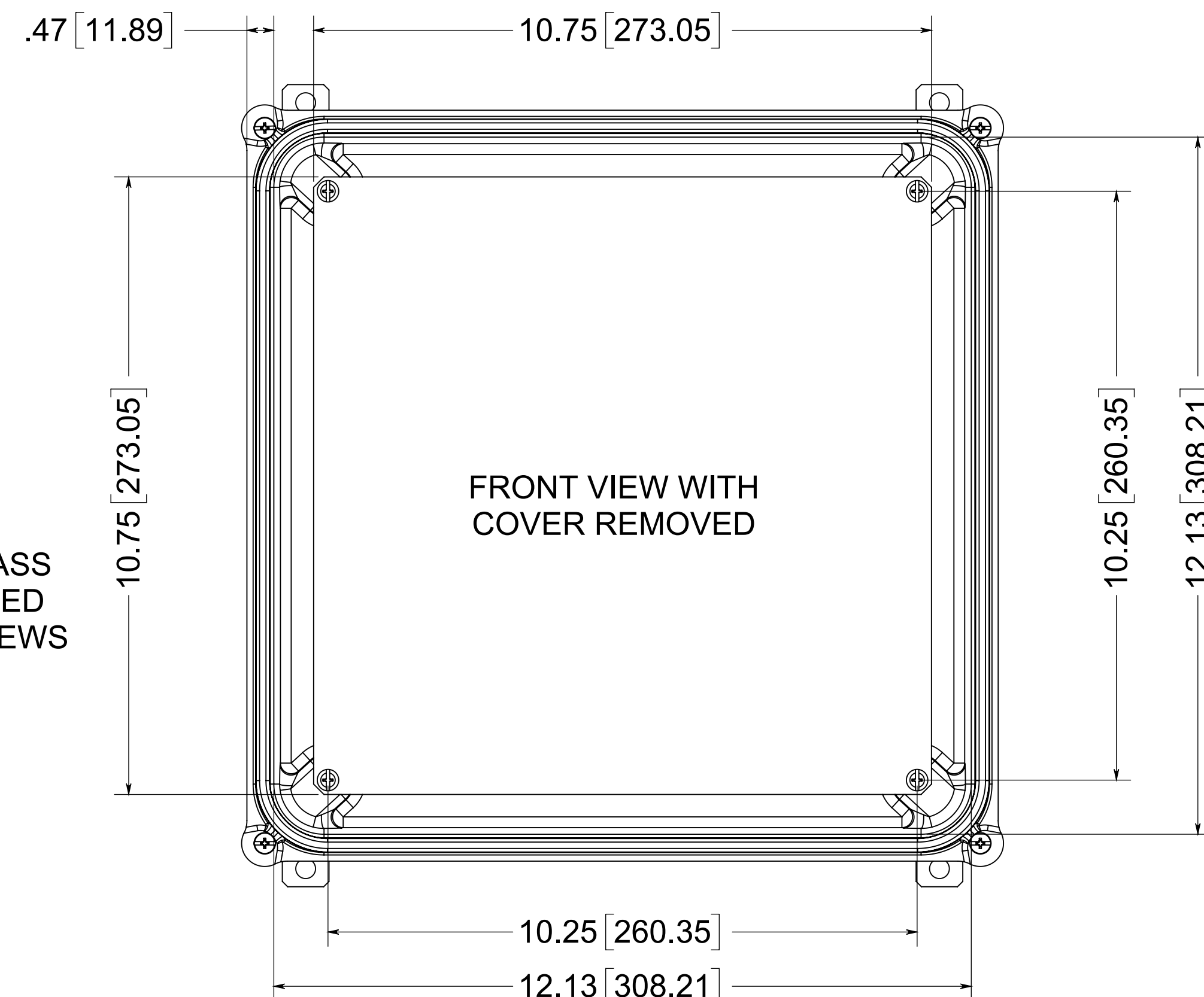


OPTIONAL BACK PANEL
0.100 [2.54] TH'K - ALUMINUM
0.075 [1.91] TH'K - WHITE STEEL & GALVANNEALED
0.125 [3.18] TH'K - FIBERGLASS



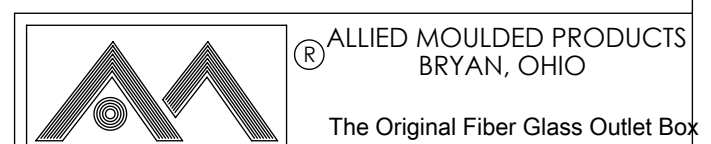
(4) 316 STAINLESS STEEL FEET

(4) EACH #10-32 BRASS INSERTS, AND 316 STAINLESS STEEL FEET SCREWS



(4) EACH #10-32 BRASS INSERTS AND PLATED CARBON STEEL SCREWS

NOTE:
1. DATA SUBJECT TO CHANGE WITHOUT NOTICE



CONFIDENTIAL
THIS MATERIAL IS OWNED BY THE ALLIED MOULDED PRODUCTS COMPANY, IS DISCLOSED IN CONFIDENCE, AND IS NOT TO BE REPRODUCED OR DISTRIBUTED WITHOUT PRIOR WRITTEN PERMISSION FROM ALLIED MOULDED PRODUCTS.

Description
AM Series
Part No.
AM1224RW