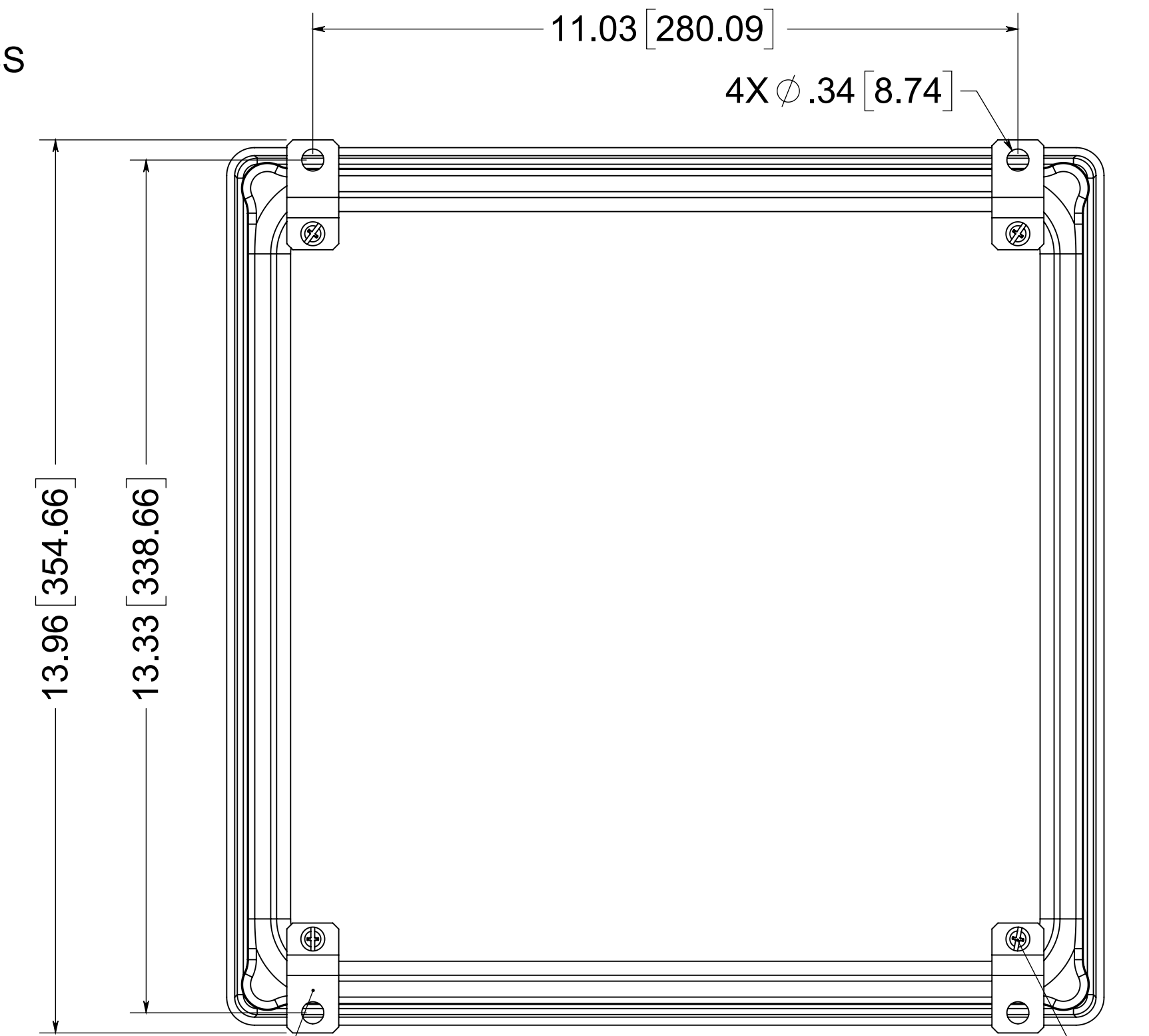
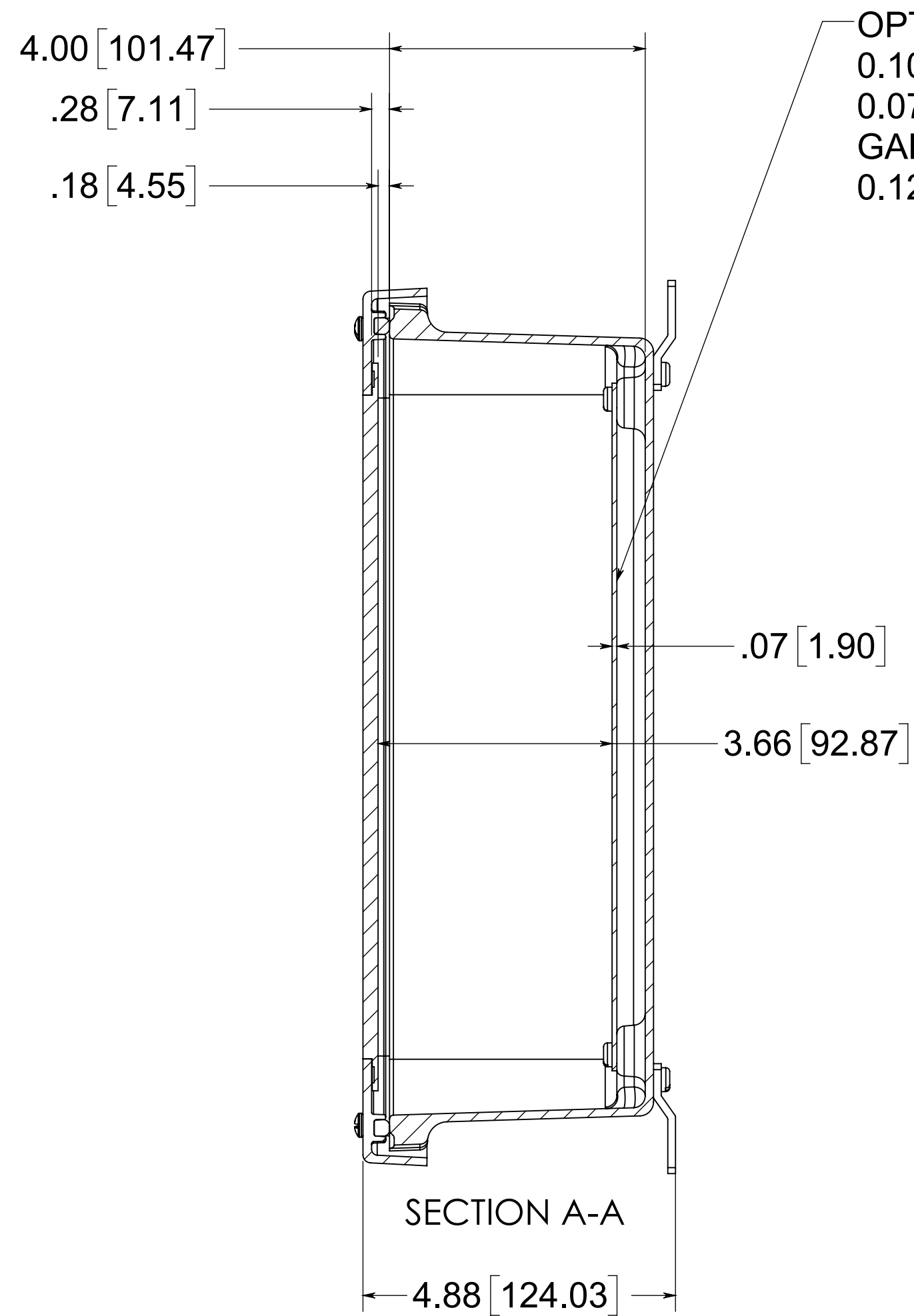
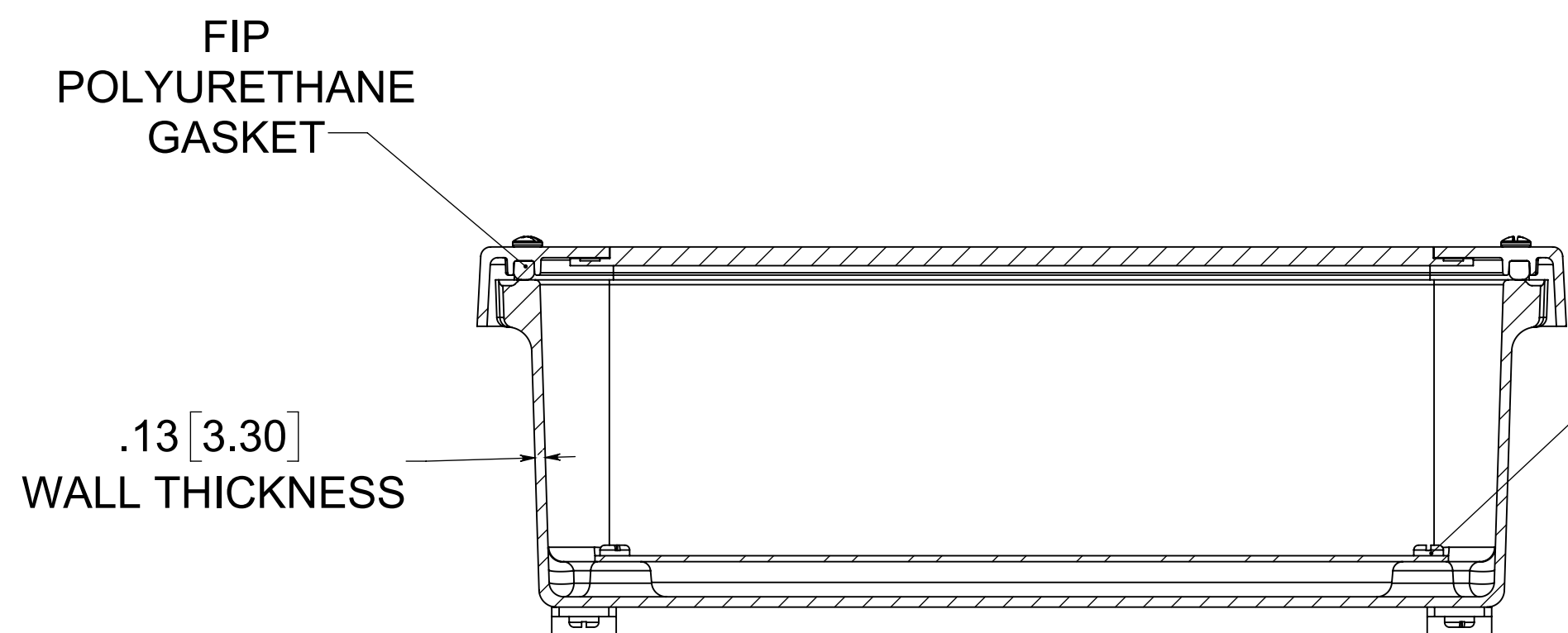


(4) EACH #10-32 BRASS INSERTS AND 316 STAINLESS STEEL CAPTIVE COVER SCREWS WITH RETAINING O-RING



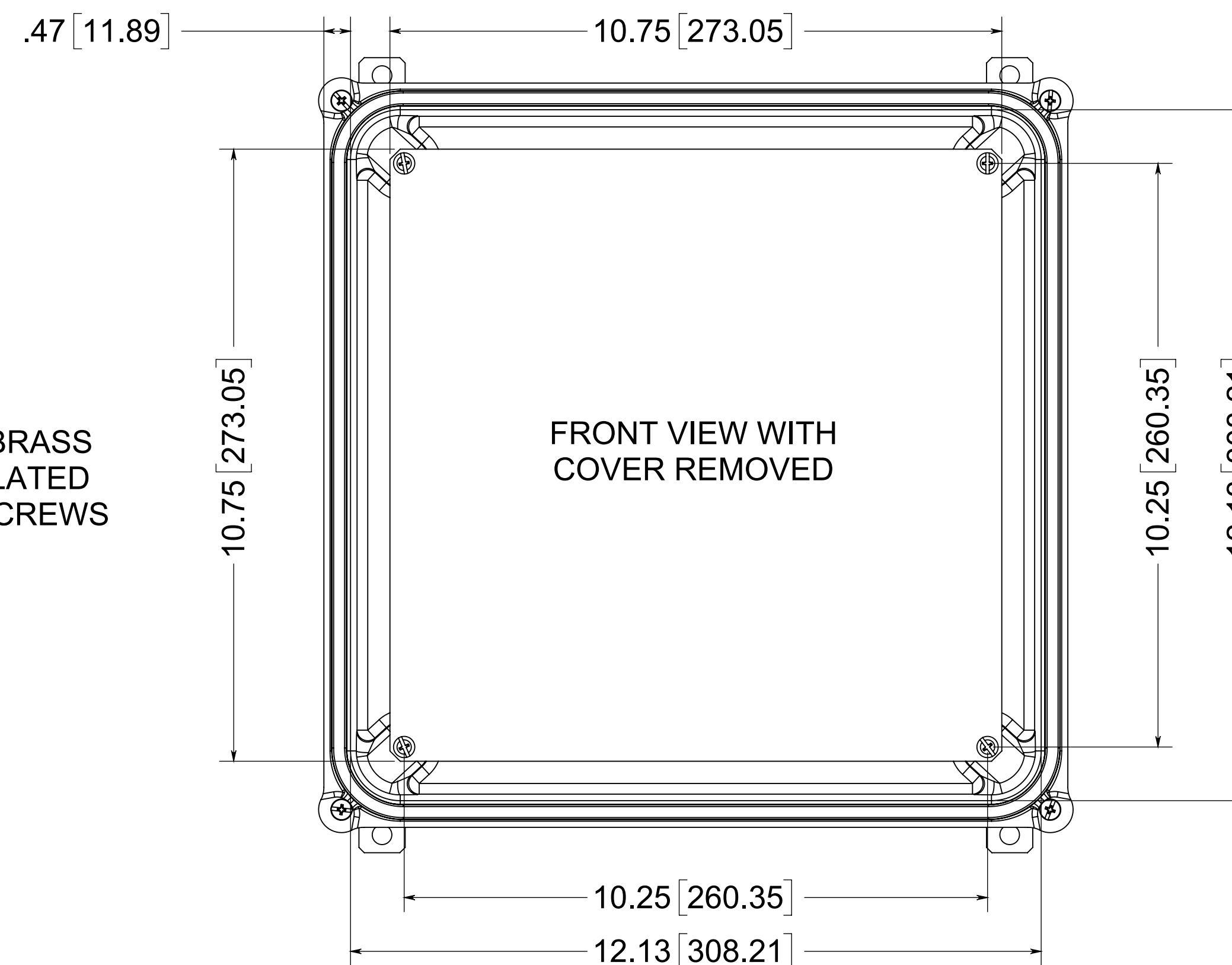
(4) 316 STAINLESS STEEL FEET

(4) EACH #10-32 BRASS INSERTS, AND 316 STAINLESS STEEL FEET SCREWS



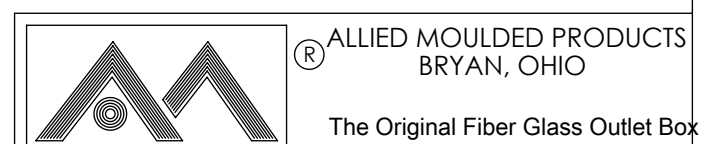
SECTION B-B

(4) EACH #10-32 BRASS INSERTS, AND PLATED CARBON STEEL SCREWS



NOTE:
1. DATA SUBJECT TO CHANGE WITHOUT NOTICE

MATERIAL:
BOX - COMPRESSION MOLDED FIBERGLASS REINFORCED POLYESTER
COVER - COMPRESSION MOLDED FIBERGLASS REINFORCED POLYESTER
WINDOWS - POLYCARBONATE



CONFIDENTIAL
THIS MATERIAL IS OWNED BY THE ALLIED MOULDED PRODUCTS COMPANY, IS DISCLOSED IN CONFIDENCE, AND IS NOT TO BE REPRODUCED OR DISTRIBUTED WITHOUT PRIOR WRITTEN PERMISSION FROM ALLIED MOULDED PRODUCTS.

Description
AM Series
Part No.
AM1224W