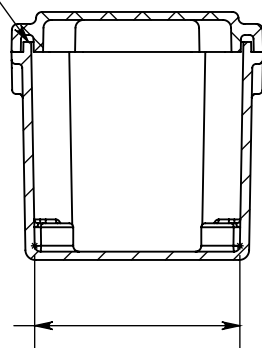


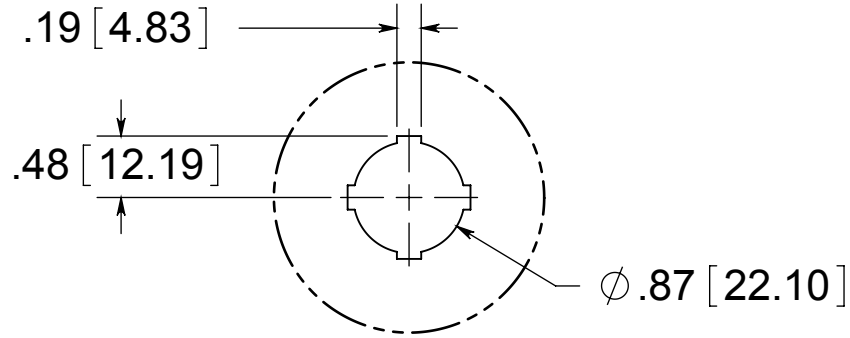
(4) EACH #10-32 BRASS INSERTS, AND STAINLESS STEEL COVER SCREWS

CLOSED CELL NEOPRENE GASKET

SECTION B-B



22.5mm HOLE DETAIL



 **ALLIED MOULDED PRODUCTS**
BRYAN, OHIO
The Original Fiber Glass Outlet Box

PRODUCT SERIES
AM3PB22

Part No.
AM3PB22

MATERIAL:
BOX & COVER- COMPRESSION MOLDED FIBERGLASS REINFORCED POLYESTER

CONFIDENTIAL
THIS MATERIAL IS OWNED BY THE ALLIED MOULDED PRODUCTS COMPANY, IS DISCLOSED IN CONFIDENCE, AND IS NOT TO BE REPRODUCED OR DISTRIBUTED WITHOUT PRIOR WRITTEN PERMISSION FROM ALLIED MOULDED PRODUCTS.