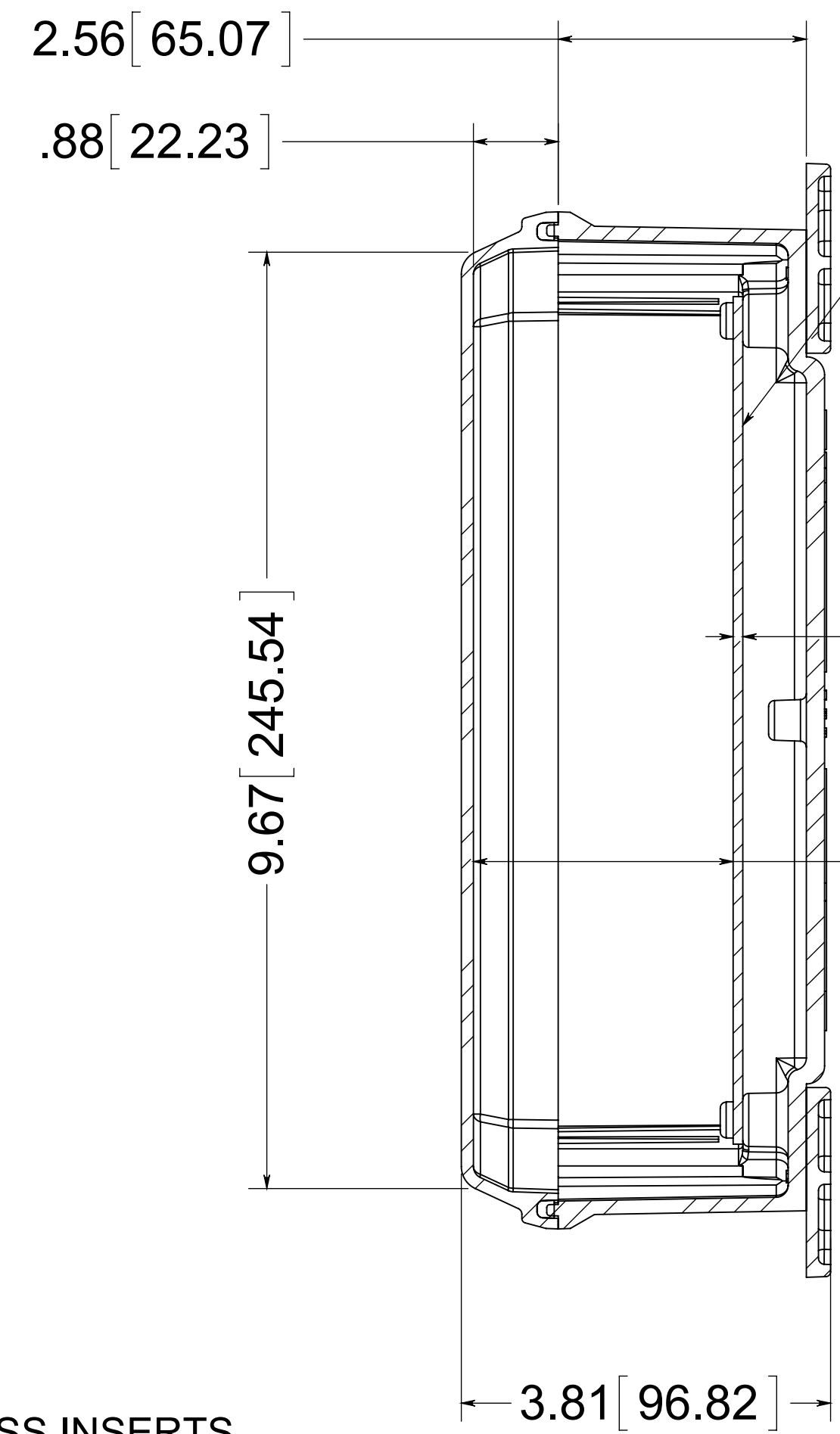
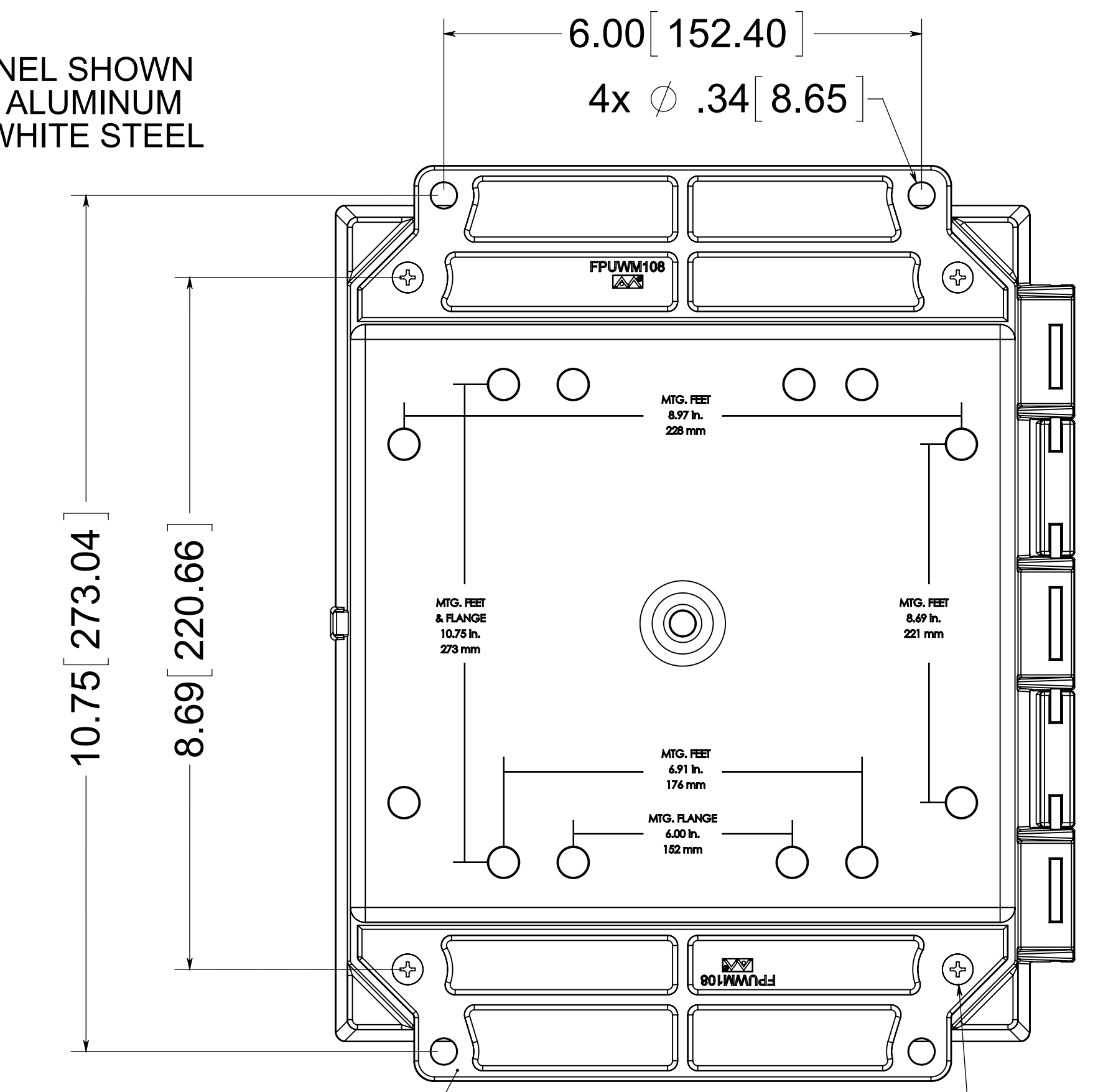


316 STAINLESS STEEL HINGE PIN

(2) EACH #10-32 BRASS INSERTS, AND 316 STAINLESS STEEL CAPTIVE COVER SCREWS WITH RETAINING O-RING

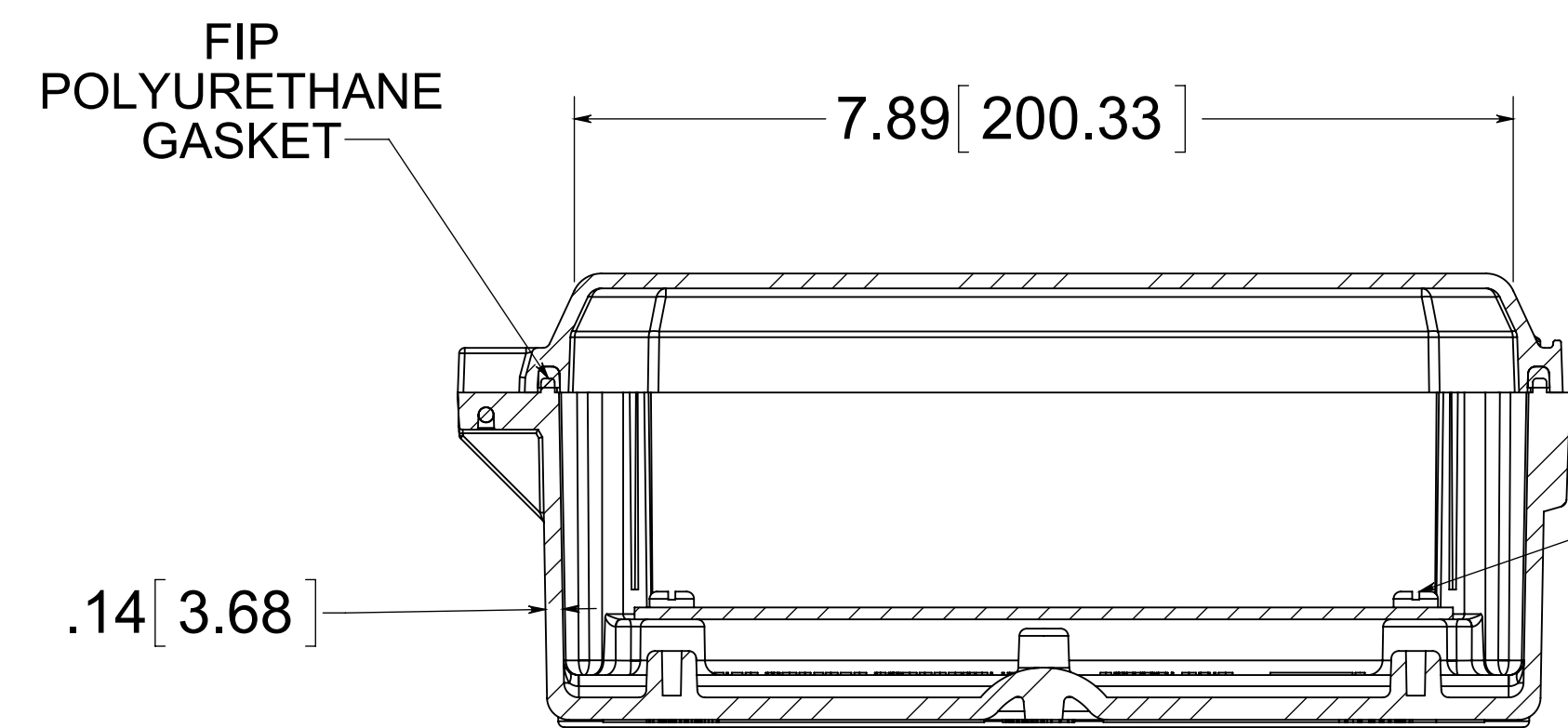


OPTIONAL BACK PANEL SHOWN
0.100 [2.54mm] TH'K ALUMINUM
0.075 [1.19mm] TH'K WHITE STEEL

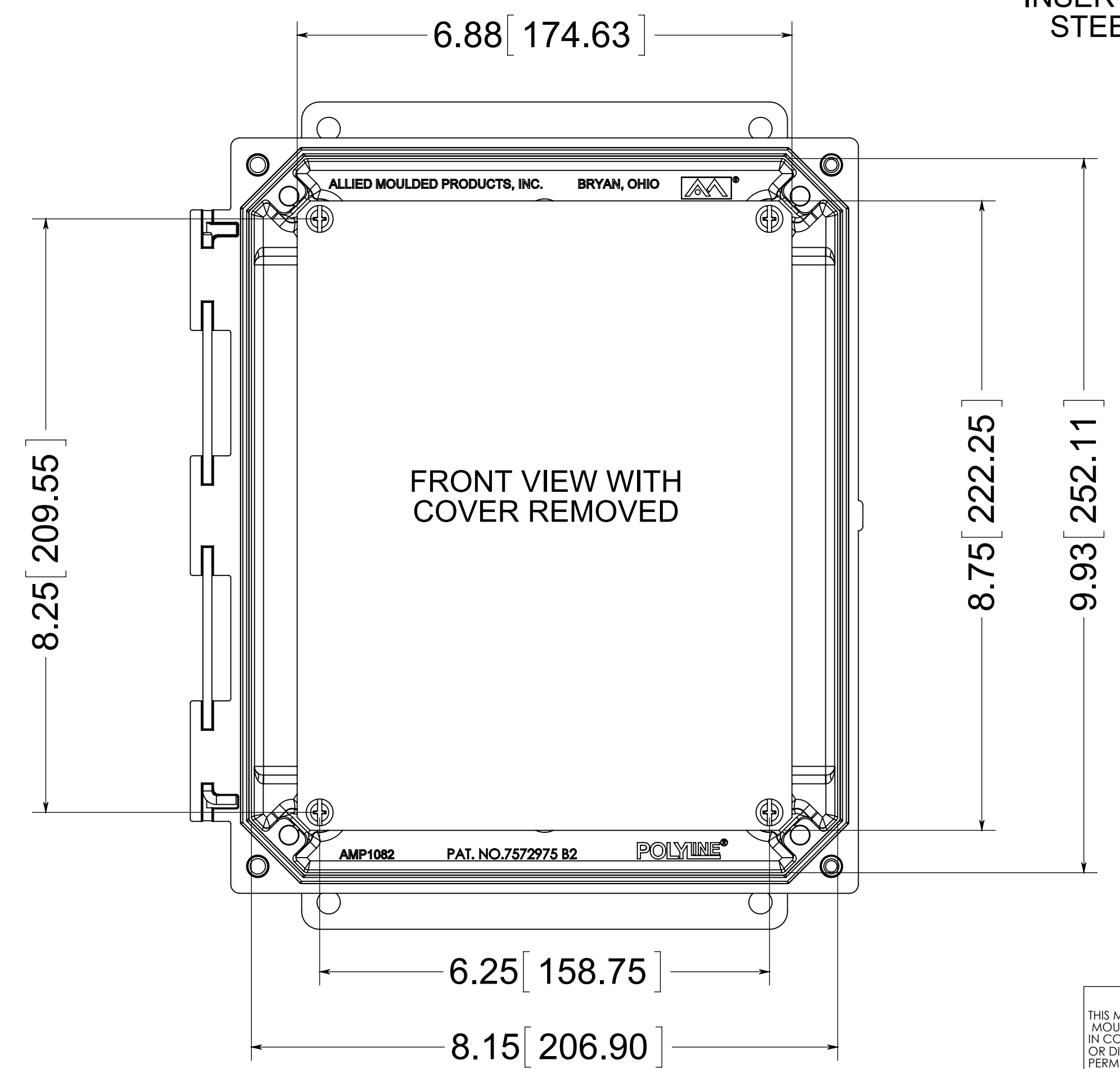


(2) POLYCARBONATE FLANGES (GLUED)

(4) EACH #10-32 BRASS INSERTS, AND 316 STAINLESS STEEL FLANGE AND FEET SCREWS



(4) EACH #10-32 BRASS INSERTS AND PLATED CARBON STEEL TRUSS SCREWS



FRONT VIEW WITH COVER REMOVED

MATERIAL:
BOX - INJECTED POLYCARBONATE
STANDARD COVER - INJECTED POLYCARBONATE
CLEAR COVER - INJECTED POLYCARBONATE

CONFIDENTIAL
THIS MATERIAL IS OWNED BY THE ALLIED MOULDED PRODUCTS COMPANY, IS DISCLOSED IN CONFIDENCE, AND IS NOT TO BE REPRODUCED OR DISTRIBUTED WITHOUT PRIOR WRITTEN PERMISSION FROM ALLIED MOULDED PRODUCTS.

Description
AMP Polyline
Part No.
AMP1082HF