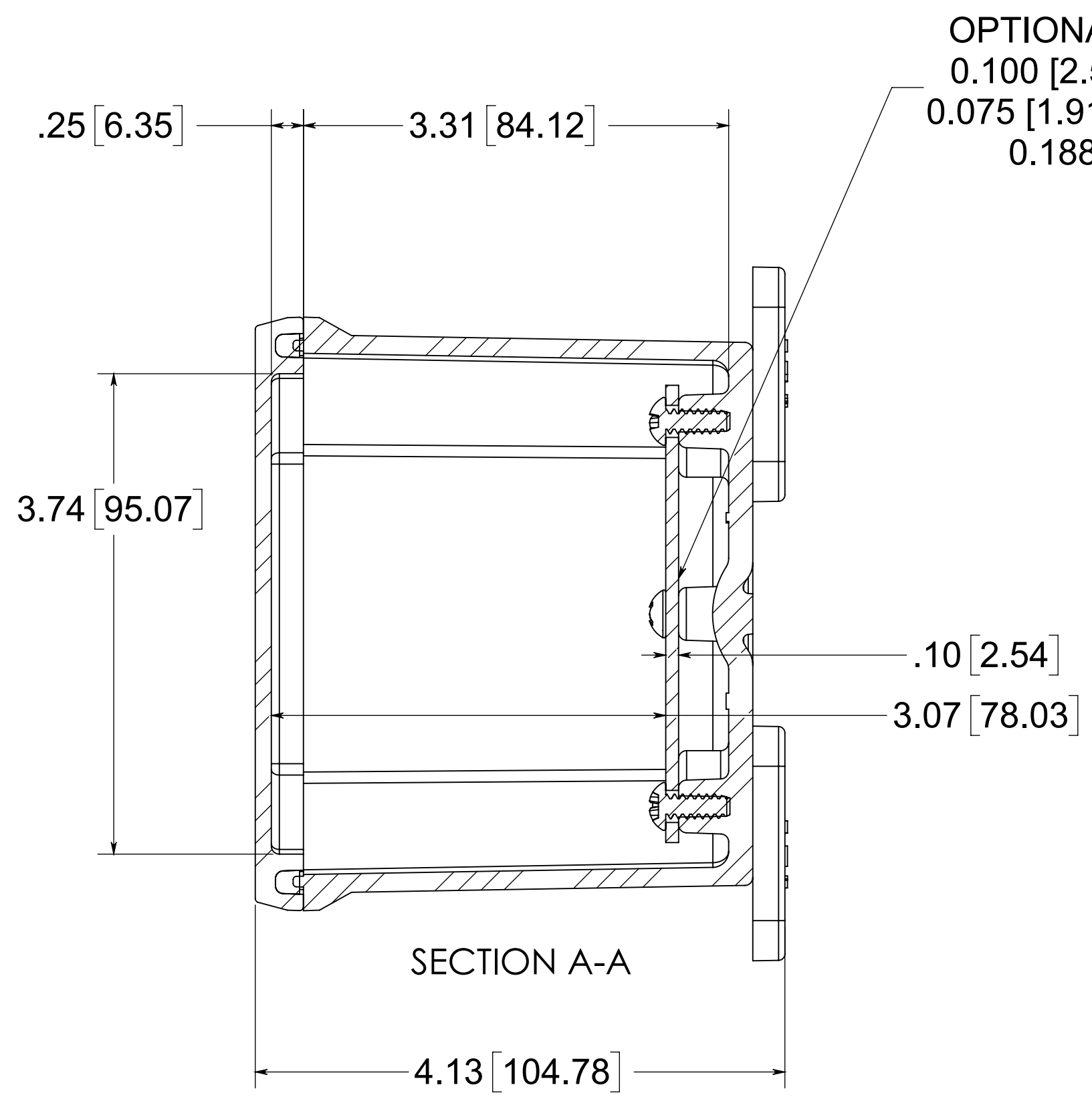
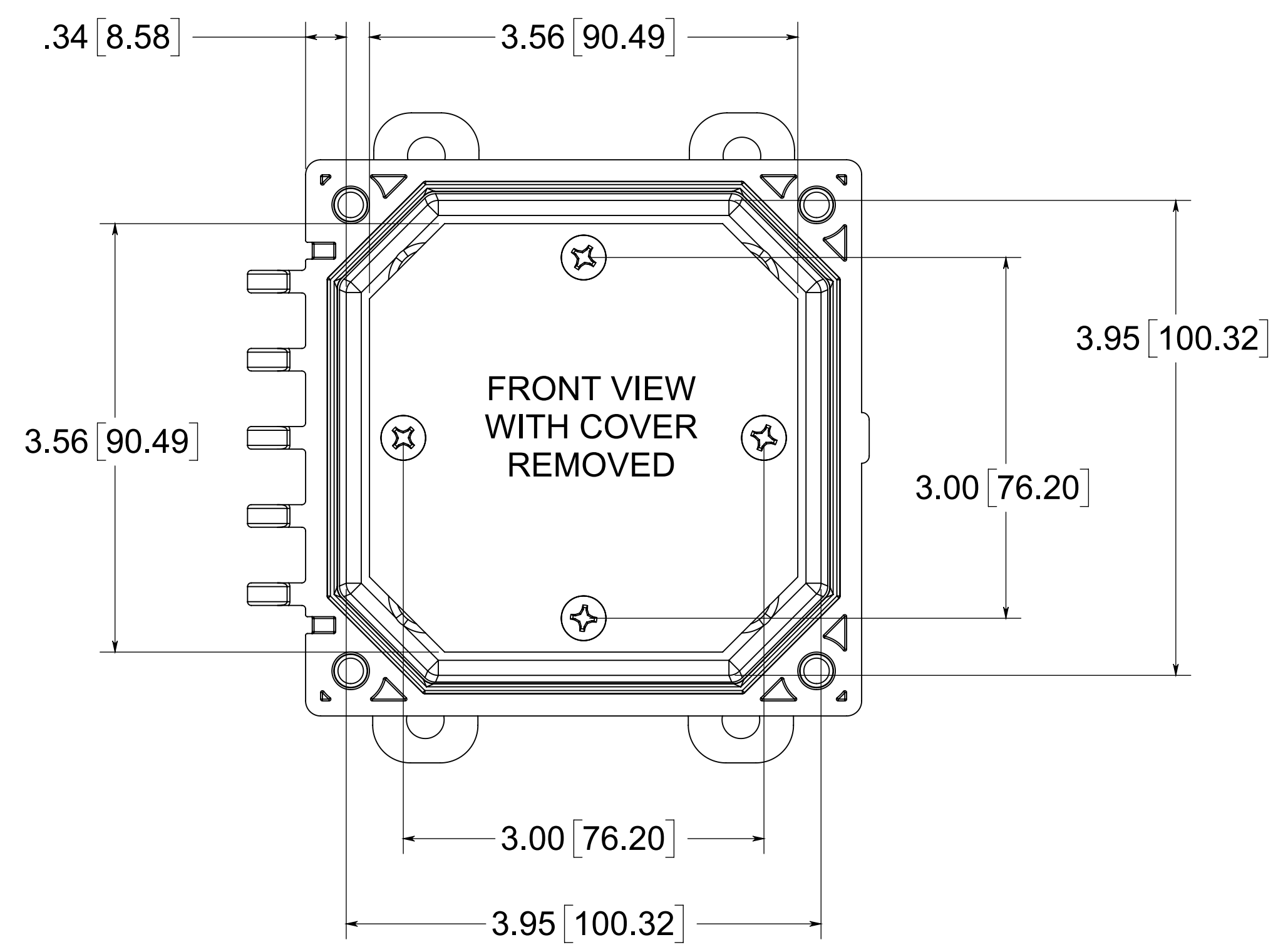
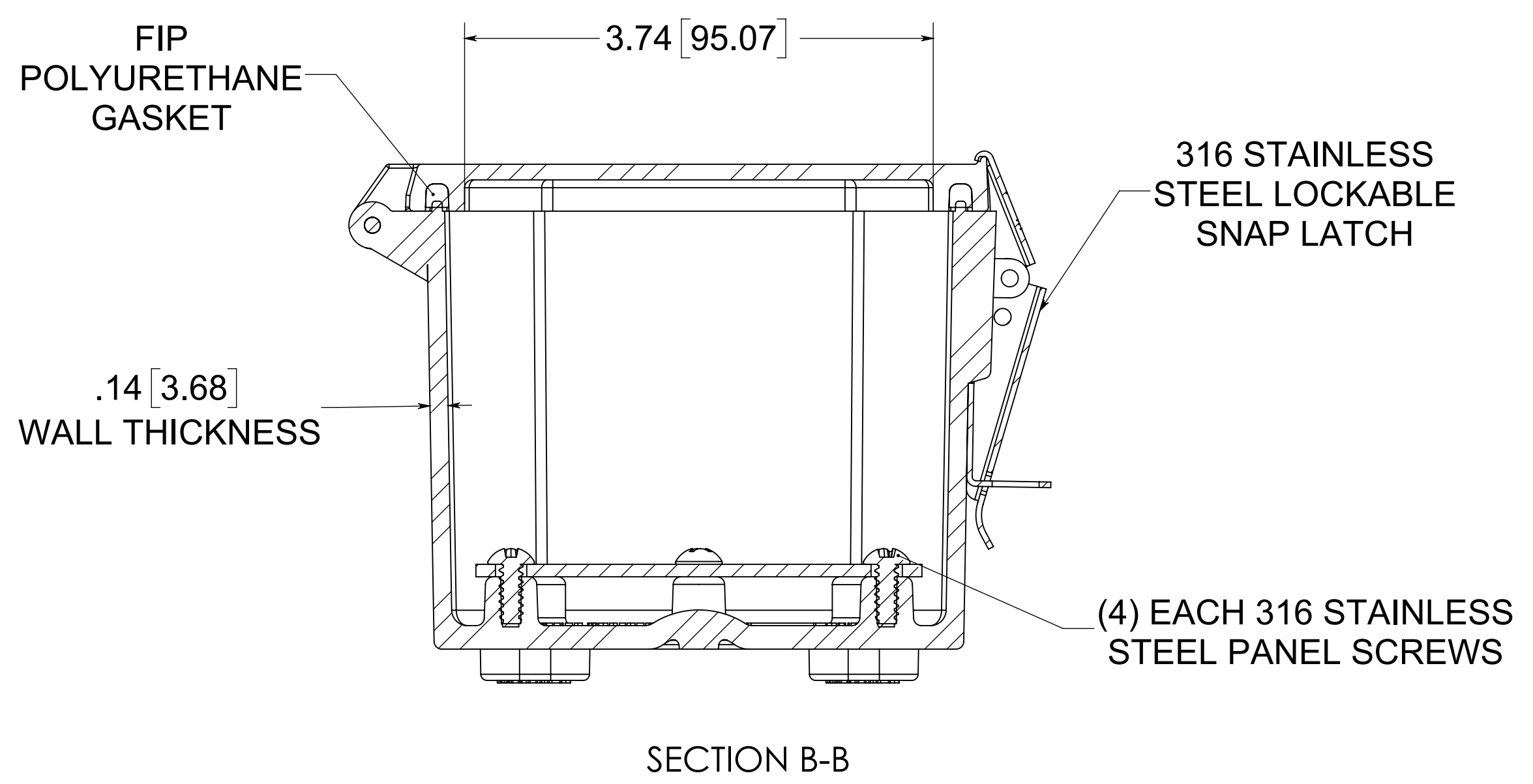
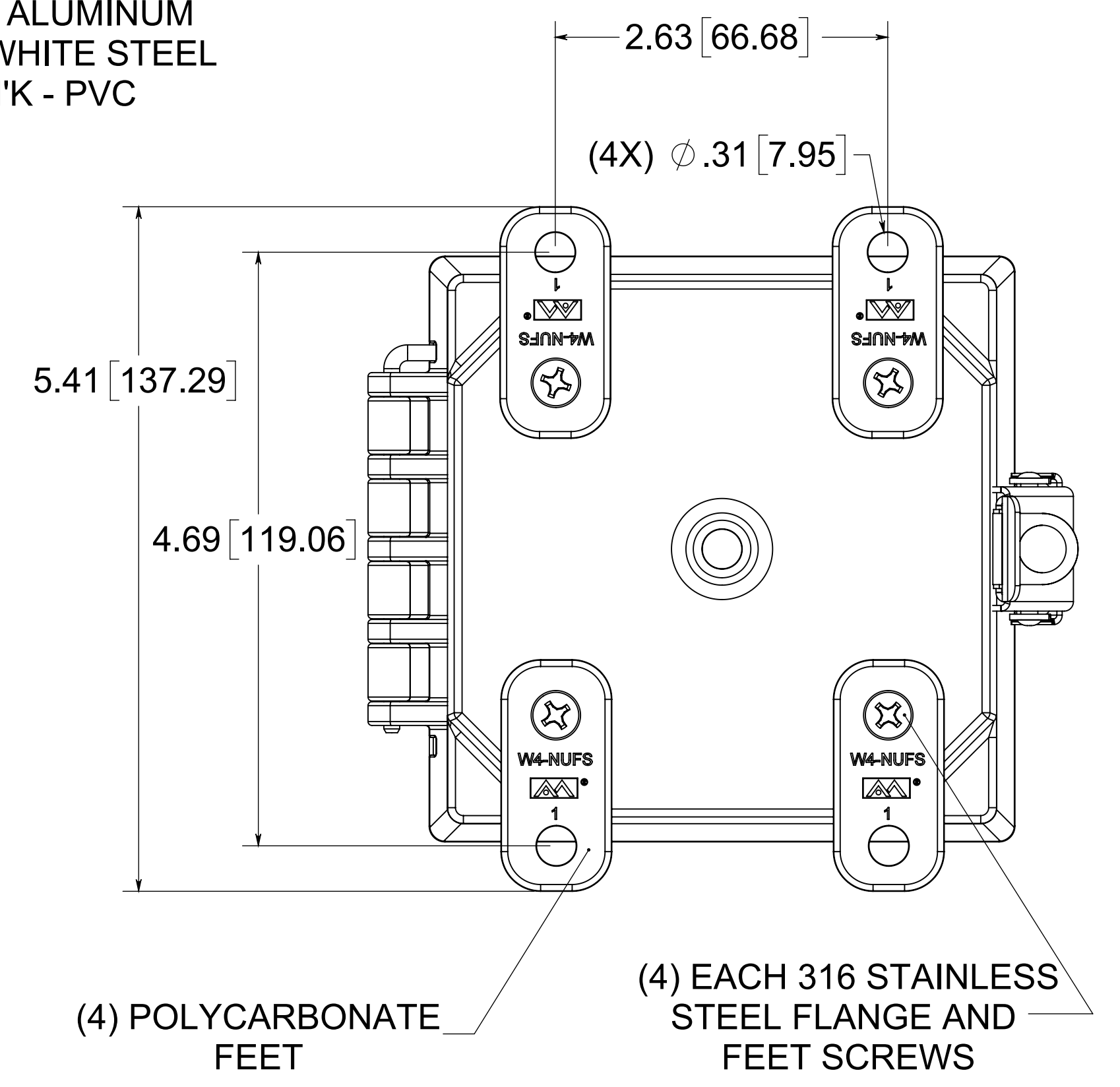


316 STAINLESS STEEL HINGE PIN



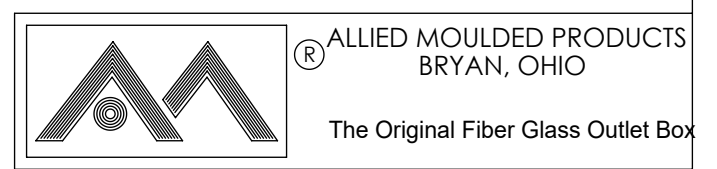
OPTIONAL BACK PANEL SHOWN
 0.100 [2.54mm] TH'K - ALUMINUM
 0.075 [1.91mm] TH'K - WHITE STEEL
 0.188 [4.78mm] TH'K - PVC



NOTE:
 1. DATA SUBJECT TO CHANGE WITHOUT NOTICE

MATERIAL:
 BOX - INJECTED POLYCARBONATE
 STANDARD COVER - INJECTED POLYCARBONATE
 CLEAR COVER - INJECTED POLYCARBONATE

CONFIDENTIAL
 THIS MATERIAL IS OWNED BY THE ALLIED MOULDED PRODUCTS COMPANY, IS DISCLOSED IN CONFIDENCE, AND IS NOT TO BE REPRODUCED OR DISTRIBUTED WITHOUT PRIOR WRITTEN PERMISSION FROM ALLIED MOULDED PRODUCTS.
 © 2018 Allied Moulded Products, Inc.
 All Rights Reserved



Description
 AMP Polyline
 AMP443CCL