



# POLYLINE®

New 4"x4"x3" Enclosure Size Option!

Base P/N AMP443

The newest addition to the POLYLINE® Series of enclosures, 4" x 4" x 3", offers standard features such as multi-mounting capabilities with adjustable mounting feet, metallic or nonmetallic latches, Formed-In-Place (FIP) gasket, and a clear polycarbonate cover option for viewing critical electronic equipment.

POLYLINE enclosures are light weight, impact resistant, and provide superior protection in harsh environments and conditions. This along with a variety of features and benefits to fit your application, ensure POLYLINE is the premier solution in polycarbonate enclosures!



## Application

Designed to insulate and protect controls and components in both indoor and outdoor applications often found in industrial control panels, pump controls/waste water treatment, irrigation/water control, solar/wind, and chemical plants

- Light weight, impact resistant and good corrosion resistance for many industrial enclosure applications and a great alternative to metallic enclosures
- Protects from dirt, dust, oil and water
- Clear polycarbonate instrumentation cover used in applications where critical electronic equipment must be visible and protected from the elements

## Construction

- Injection molded polycarbonate thermoplastic - opaque cover, enclosure base, nonmetal snap latches, and mounting feet
- Opaque cover, enclosure base, and feet - Light gray color (RAL 7035)  
*Note: foot mounting hardware supplied in a bag*
- 316 stainless steel captive cover screws, hinge pin, and snap latches with padlock hasp (.375" dia.)
- Formed-In-Place (FIP) polyurethane gasket system in continuous channel
- 316 stainless steel self-threading foot mounting hardware
- #10-16 self-threading pan head screws for optional back panel mounting

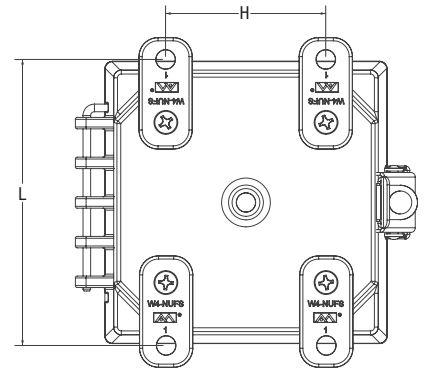
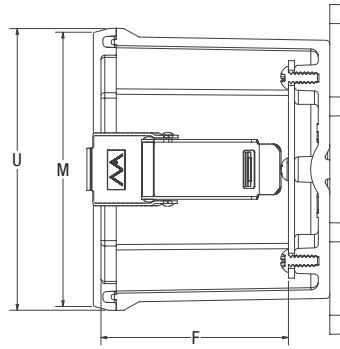
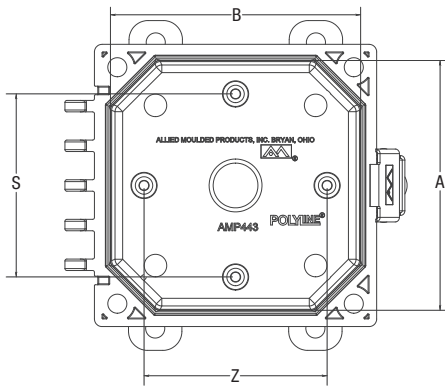
## Standards

- UL 50 and UL 50E Types 1, 2, 3, 3R, 4, 4X, 6P (screw cover only), 12 & 13
- CSA C22.2 No. 94 Types 1, 2, 3, 3R, 4, 4X, 6P (screw cover only), 12 & 13
- Complies with:
  - NEMA Types 1, 2, 3, 3R, 4, 4X, 6P (screw cover only), 12 and 13
  - IEC 60529 Type IP66, Type IP68 submersible up to 24 hrs at a depth of 6 feet
  - RoHS directive

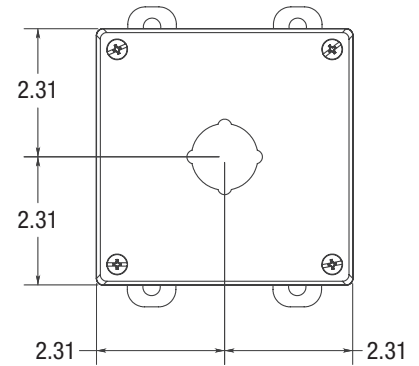
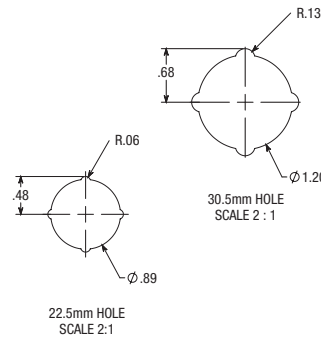
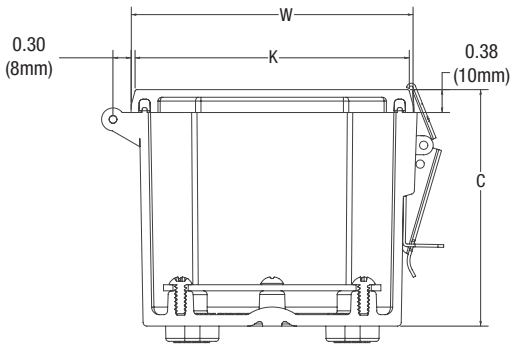
**Optional Accessories**  
Available accessories include back panel kits, ULTRAPLUG® hole plugs, & much more!

**Custom Modifications**  
Custom holes and cutouts, along with polycarbonate viewing windows are available. Contact factory for additional modification options.





NOTE: COVER REMOVED FOR CLARITY



PUSHBUTTON OPTION (AMP1PB)

\*Nom. Wall Thickness: .14 (4mm)

### Available Configuration Options for AMP443

Base Part Number		Cover Types		Cover Attachment Types				Mounting Type
Base Number Model	Size	Opaque Cover	Clear Cover	Screw Cover	Hinged Screw Cover	Hinged Nonmetal Latch	Hinged Snap Latch	Foot Mount (none)
AMP443	4"x4"x3"	(none)	CC	(none)	H	NL	L	

Base Part No.	Box Size			Usable Depth	Panel Boss Centers		Back Panel Size			Flange Mount Centers		Foot Mount Centers		Cover Size			
	A	B	C		F	S	Z	Ht.	Wid.	P/N	J	I	H	L	K	M	W
AMP443	4.09	4.09	3.88	3.07	3.00	3.00	3.56	3.56	*	---	---	2.63	4.69	4.49	4.49	4.62	4.62
	104mm	104mm	99mm	78mm	76mm	76mm	90mm	90mm		---	---	67mm	119mm	114mm	114mm	117mm	117mm
*AMP1PB	4.09	4.09	3.88	3.07	3.00	3.00	3.56	3.56	*	---	---	2.63	4.69	4.49	4.49	4.62	4.62
	104mm	104mm	99mm	78mm	76mm	76mm	90mm	90mm		---	---	67mm	119mm	114mm	114mm	117mm	117mm

All dimensions are in inches unless otherwise noted

Data subject to change without notice

Base part number listed only. To complete part number, refer to the "Available Configuration Options" chart above

Enclosure base part numbers come standard with 4 separately bagged feet (ex. AMP443)

\*AMP1PB available with pre-cut pushbutton hole. Add suffix "22" for 22.5mm hole size (ex. AMP1PB22)

\*Available back panels include Aluminum (PLA44), White Painted Carbon Steel (PL44), and PVC (PLPVC44)

