



# ULTRALINE®

New 10"x8"x6" Enclosure Size Option!

Base P/N AMU1086

ULTRALINE® fiberglass series enclosures are designed to insulate and protect controls and components in both indoor and outdoor applications and are especially well suited for high temperature or corrosive environments. They feature solid/ opaque, viewing window, or clear polycarbonate cover designs, with a variety of latching options that allow you to provide the level of security and ease of access needed for each application.

Expanding the series is the new 10"x8"x6" size option. The new size allows for increased space for electrical components, while boasting a variety of features and benefits including a formed-in-place gasket, 316 stainless steel external hardware, and our UV stabilized ULTRAGUARD® fiberglass material formulation!



## Application

Designed to insulate and protect controls and components in both indoor and outdoor applications often found in oil refineries, waste water treatment equipment, and chemical plants

- Especially well suited for high temperature or corrosive environments
- Protects from dirt, dust, oil and water
- For use with industrial control equipment
- Clear polycarbonate instrumentation cover used in applications where critical electronic equipment must be visible and protected from the elements

## Construction

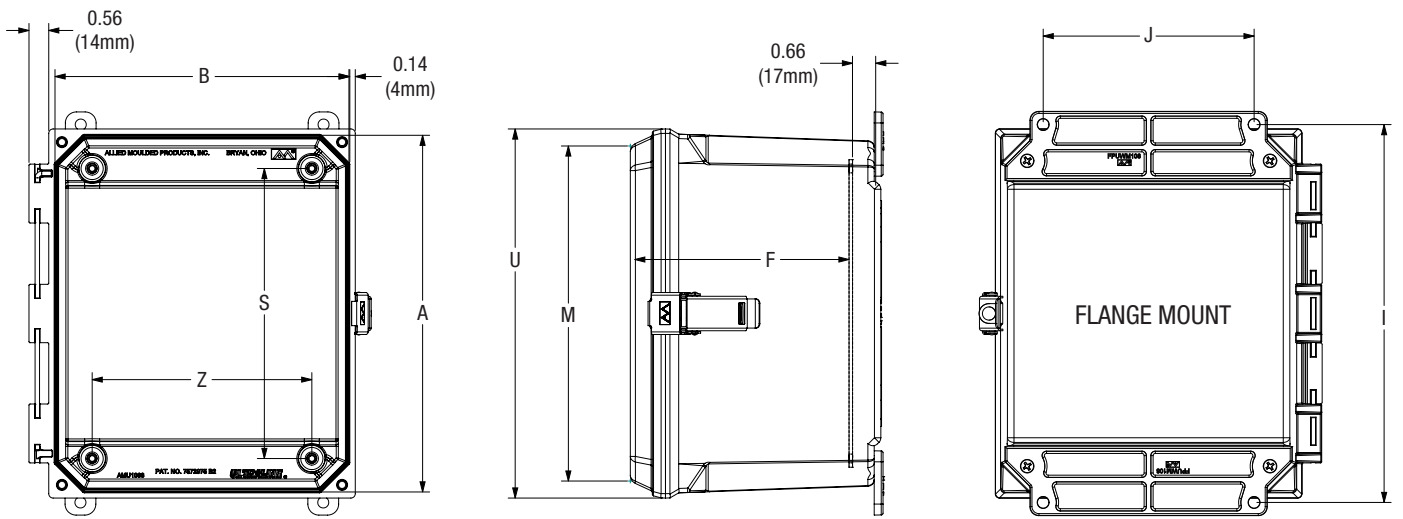
- Compression molded fiberglass reinforced polyester construction with flush, solid/ opaque, viewing window, or clear polycarbonate cover options
- Opaque cover, nonmetallic latch, base, feet, flanges - Light gray color (RAL 7035)  
*Note: foot models mounting hardware supplied in a bag. Flanged models are pre-assembled.*
- 316 stainless steel hinge pin and snap latch with padlock hasp (3/8" Dia.)
- Formed-In-Place (FIP) polyurethane gasket system encased in continuous channel
- Polycarbonate foot/flange mounting brackets with 316 stainless steel fasteners
- #10-32 threaded brass inserts for optional back panel installation

## Standards

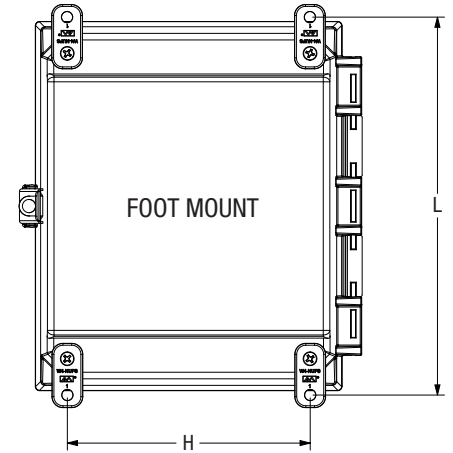
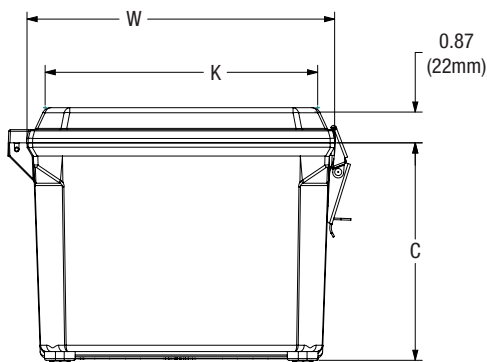
- UL 50 and UL 50E Types 1, 2, 3, 3R, 4, 4X, 6P (screw cover only), 12 & 13
- CSA C22.2 No. 94 Types 1, 2, 3, 3R, 4, 4X, 6P (screw cover only), 12 & 13
- Complies with:
  - NEMA Types 1, 2, 3, 3R, 4, 4X, 6P (screw cover only), 12 and 13
  - IEC 60529 Type IP66, and units rated 6P are Type IP68 submersible up to 24 hrs at a depth of 6 feet (1.8 meters)
  - RoHS directive

**Optional Accessories**  
Available accessories include back panel kits, ULTRAPLUG® hole plugs, & much more!

**Custom Modifications**  
Custom holes and cutouts, along with polycarbonate viewing windows are available. Contact factory for additional modification options.



Note: Cover Removed for Clarity



\*Nom. Wall Thickness: 0.14 (4mm)

**Part No. Configuration Options**

Part No. Suffix	Description
-	Cover / 4 Screws
H	Hinge Cover / 2 Screws
L	Hinge Cover / Snap Latch
T	Hinge Cover / Twist Latch
NL	Hinge Cover / Nonmetallic Latch

Add the "Part No. Suffix" to the base part number below to create a complete enclosure (ex. AMU1086NL is a 10"x8"x6" with a hinged opaque cover and nonmetallic latch)

Base Part No.	Box Size			Usable Depth	Panel Boss Centers		Back Panel Size			Flange Mount Centers		Foot Mount Centers		Cover Size				Window Dimension (H x W)
	A	B	C		F	S	Z	Ht.	Wid.	P/N	J	I	H	L	K	M	W	
AMU1086()	10.04	8.26	6.13	6.10	8.25	6.25	8.75	6.88	PL108 PLA108	6.00	10.75	6.91	10.75	7.75	9.53	8.72	10.50	N/A
	255mm	210mm	156mm	155mm	210mm	159mm	222mm	175mm		152mm	273mm	175mm	273mm	197mm	242mm	221mm	267mm	N/A
AMU1086CC()	10.04	8.26	6.13	6.10	8.25	6.25	8.75	6.88	PL108 PLA108	6.00	10.75	6.91	10.75	7.75	9.53	8.72	10.50	N/A
	255mm	210mm	156mm	155mm	210mm	159mm	222mm	175mm		152mm	273mm	175mm	273mm	197mm	242mm	221mm	267mm	N/A
AMU1086(JW)	10.04	8.26	6.13	6.10	8.25	6.25	8.75	6.88	PL108 PLA108	6.00	10.75	6.91	10.75	7.75	9.53	8.72	10.50	6.25 x 4.25
	255mm	210mm	156mm	155mm	210mm	159mm	222mm	175mm		152mm	273mm	175mm	273mm	197mm	242mm	221mm	267mm	159mm x 108mm

All dimensions are in inches unless otherwise noted

Enclosure base part numbers come standard with 4 separately bagged feet (ex. AMU1086)

Add "F" to the part number for factory installed mounting flanges (ex. AMU1086CCF)

Data subject to change without notice

