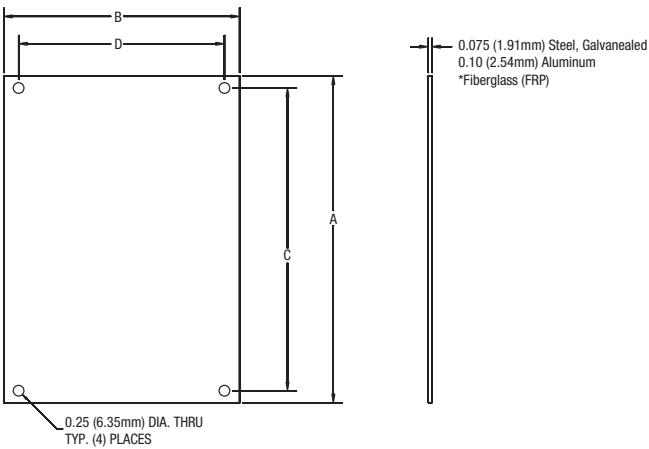


## Back Panels

Small Junction Boxes		
Optional Aluminum / Fiberglass Back Panel		
Part No.	Height	Width
PA74, PF74	4.00	3.13
	102mm	80mm
PA94, PF94	6.25	3.13
	159mm	80mm

All dimensions are in inches unless otherwise noted.  
 "PA" denotes aluminum, "PF" denotes fiberglass  
 Thickness; "PA" (.100) "PF" (.125)



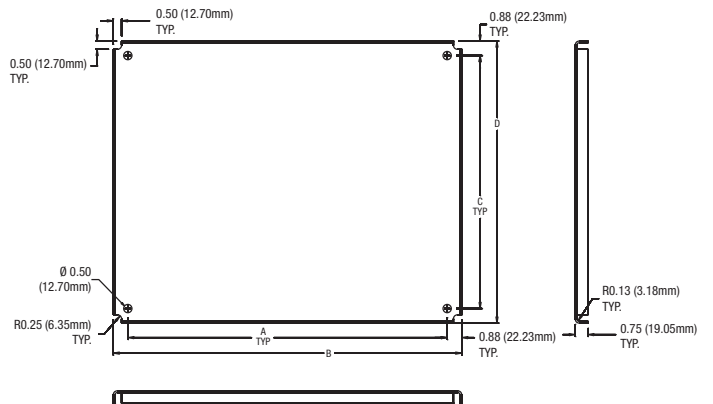
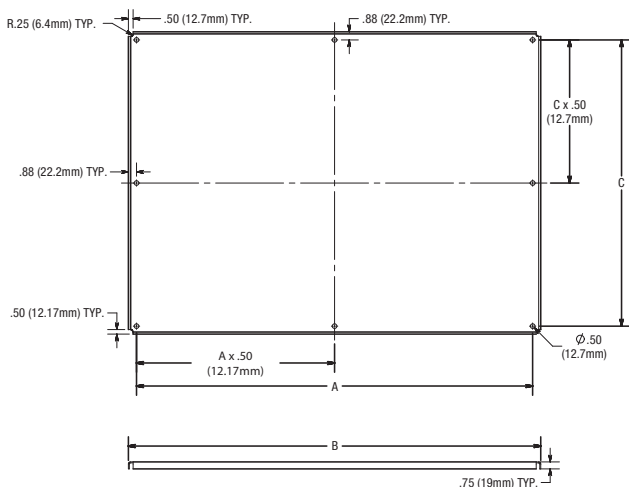
Optional Back Panel Base Part #'s	
Steel	Alum
P, PL	White Painted Carbon Steel
PA, PLA	Aluminum
PF	Fiberglass
PG	Galvannealed

AM, AMHD, AMU, AM-R Series (JIC Sizes)							
Steel	Alum	FRP	Galv	A	B	C	D
PL66 (Replaces P66)	PLA66 (Replaces PA66)	PF66	PG66	4.81	4.81	4.25	4.25
				122mm	122mm	108mm	108mm
PL86 (Replaces P86)	PLA86 (Replaces PA86)	PF86	PG86	6.75	4.88	6.25	4.25
				171mm	124mm	159mm	108mm
PL108 (Replaces P108)	PLA108 (Replaces PA108)	PF108	PG108	8.75	6.88	8.25	6.25
				222mm	175mm	210mm	159mm
PL120 (Replaces P120)	PLA120 (Replaces PA120)	PF120	PG120	10.75	8.88	10.25	8.25
				273mm	226mm	260mm	210mm
PL122	PLA122	PF122	PG122	10.75	10.75	10.25	10.25
				273mm	273mm	260mm	260mm
PL142 (Replaces P142)	PLA142 (Replaces PA142)	PF142	PG142	12.75	10.88	12.25	10.25
				324mm	276mm	311mm	260mm
P164	PA164	PF164	PG164	14.75	12.88	14.25	12.25
				375mm	327mm	362mm	311mm
P186	PA186	PF186	PG186	16.88	14.88	16.25	14.25
				429mm	378mm	413mm	362mm
P206	PA206	PF206	PG206	18.44	14.44	17.81	13.81
				468mm	367mm	452mm	351mm

Fiberglass panel thickness: (0.125") PF66, PF86, PF108; (0.187") PF120, PF142, PF164; (0.250") PF186, PF206

Control Series							
Steel	Alum	FRP	Galv	A	B	C	D
P2420	PA2420	PF2420	PG2420	19.25	21.00	15.25	17.00
				489mm	533mm	387mm	432mm
P2424	PA2424	PF2424	PG2424	19.25	21.00	19.25	21.00
				489mm	533mm	489mm	533mm
P3024	PA3024	PF3024	PG3024	25.25	27.00	19.25	21.00
				641mm	686mm	489mm	533mm

Refer to key above for back panel material type



Empire Series				
Steel	A	B	C	D
P3630CS	31.24	33.00	25.24	27.00
	793mm	838mm	641mm	686mm
P3636CS	31.24	33.00	31.24	33.00
	793mm	838mm	793mm	838mm
P4836CS	43.24	45.00	31.24	33.00
	1,098mm	1,143mm	793mm	838mm
P6036CS	55.24	57.00	31.24	33.00
	1,403mm	1,448mm	793mm	838mm

Refer to key above for back panel material type

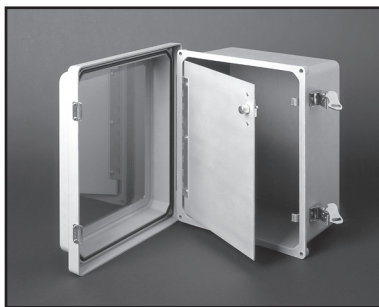
# AM-R Series: Aluminum Hinged Front Panels

*HFP – Used with raised cover only*

## FEATURES:

- Panels designed to offer both a professional instrumentation display and a protective covering for electric wiring inside the enclosure
- Completely field-installable panel design with no required enclosure modifications
- Latch design secures panel in place with one-quarter turn
- One-half-inch adjustability up or down
- For use with raised cover enclosures from 6" x 6" through 30" x 24"
- Panel modifications available include: cut-in holes and screen printing
- Compliant with RoHS directive

AM-R Control Series	
Part No.	Panel Dim. (H x W x D)
HFP2420	23.25 x 19.375 x .09
	591mm x 492mm x 2.3mm
HFP2424	23.38 x 23.25 x .09
	594mm x 591mm x 2.3mm
HFP3024	29.25 x 23.38 x .09
	743mm x 594mm x 2.3mm



Note: Please refer to website [www.alliedmoulded.com](http://www.alliedmoulded.com) for installed HFP drawings and dimensional information.

AM-R JIC Series	
Part No.	Panel Dim. (H x W x D)
HFP66	5.60 x 5.60 x .09
	142mm x 142mm x 2.3mm
HFP86	7.50 x 5.63 x .09
	191mm x 143mm x 2.3mm
HFP108	9.50 x 7.50 x .09
	241mm x 191mm x 2.3mm
HFP120	11.50 x 9.50 x .09
	292mm x 241mm x 2.3mm
HFP122	11.50 x 11.50 x .09
	292mm x 292mm x 2.3mm
HFP142	13.50 x 11.50 x .09
	343mm x 292mm x 2.3mm
HFP164	15.50 x 13.50 x .09
	394mm x 343mm x 2.3mm
HFP186*	17.63 x 15.63 x .09
	448mm x 397mm x 2.3mm
HFP206	19.25 x 15.25 x .09
	489mm x 387mm x 2.3mm

\*Standard HFP186 doesn't fit in AMHD product.

# AMU Series: Aluminum Hinged Front Panels

*HFPU*

## FEATURES:

- Panels designed to offer both a professional instrumentation display and a safety divider for electric wiring inside the enclosure
- Completely field-installable panel design. Installation instruction sheet included.
- Latch design secures panel in place with one-quarter turn
- For use with enclosures from 6" x 6" through 20" x 16"
- Panel modifications available include: cut-in holes and screen printing
- Compliant with RoHS directive



Note: Please refer to website [www.alliedmoulded.com](http://www.alliedmoulded.com) for installed HFPU drawings and dimensional information.

AMU JIC Series	
Part No.	Panel Dim. (H x W x D)
HFPU66	5.64 x 5.87 x .09
	143mm x 149mm x 2.3mm
HFPU86	7.74 x 5.91 x .09
	197mm x 150mm x 2.3mm
HFPU108	9.64 x 7.87 x .09
	245mm x 200mm x 2.3mm
HFPU120	11.50 x 9.61 x .09
	292mm x 244mm x 2.3mm
HFPU142	13.49 x 11.60 x .09
	343mm x 295mm x 2.3mm
HFPU164	15.46 x 13.58 x .09
	393mm x 345mm x 2.3mm
HFPU186	17.62 x 15.72 x .09
	448mm x 399mm x 2.3mm
HFPU206	19.38 x 15.44 x .09
	492mm x 392mm x 2.3mm

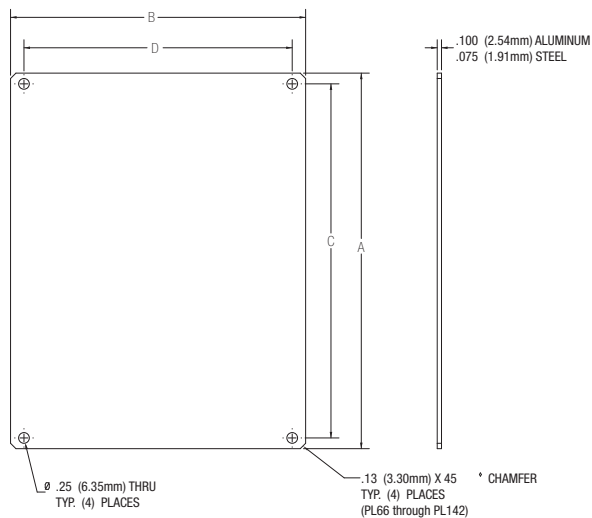
Note: Empire series panels are 0.1046" in thickness.



## POLYLINE® Series Optional Back Panels:

“PL” Painted White Carbon Steel  
or “PLA” Aluminum

POLYLINE® Series					
STEEL (P/N)	ALUM (P/N)	A	B	C	D
PL66	PLA66	4.81	4.81	4.25	4.25
		122mm	122mm	108mm	108mm
PL86	PLA86	6.75	4.88	6.25	4.25
		171mm	124mm	159mm	108mm
PL88	PLA88	6.75	6.88	6.25	6.25
		171mm	175mm	159mm	159mm
PL108	PLA108	8.75	6.88	8.25	6.25
		222mm	175mm	210mm	159mm
PL120	PLA120	10.75	8.88	10.25	8.25
		273mm	226mm	260mm	210mm
PL142	PLA142	12.75	10.88	12.25	10.25
		324mm	276mm	311mm	260mm
P164	PA164	14.75	12.88	14.25	12.25
		375mm	327mm	362mm	311mm
P186	PA186	16.88	14.88	16.25	14.25
		429mm	378mm	413mm	362mm

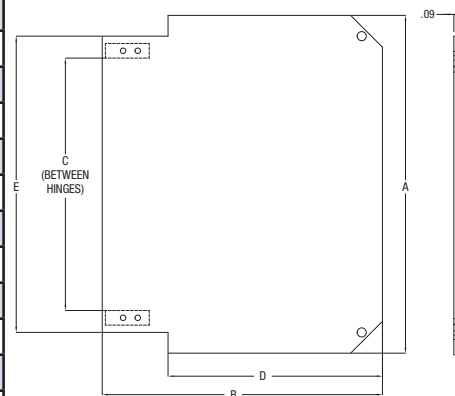


All dimensions are in inches unless otherwise noted.

## POLYLINE® Series Optional Adjustable Hinged Front Panels:

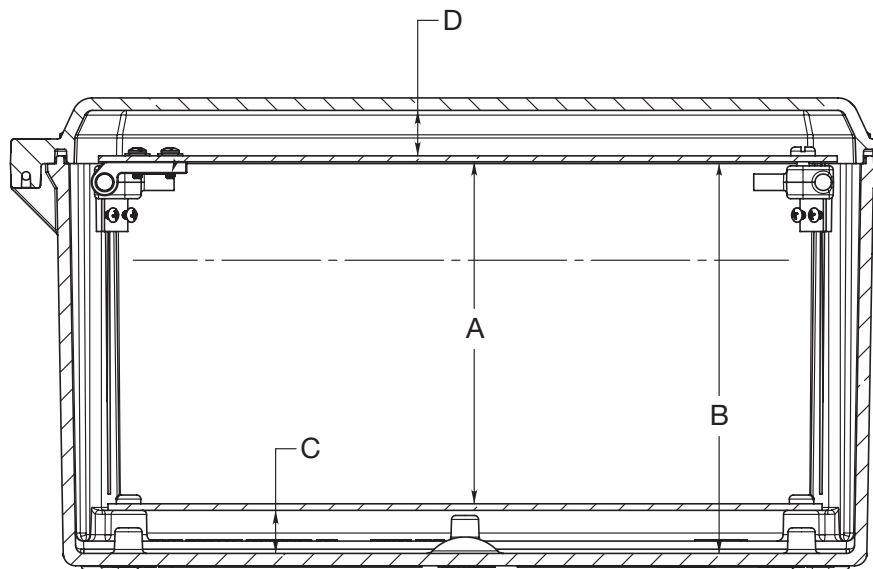
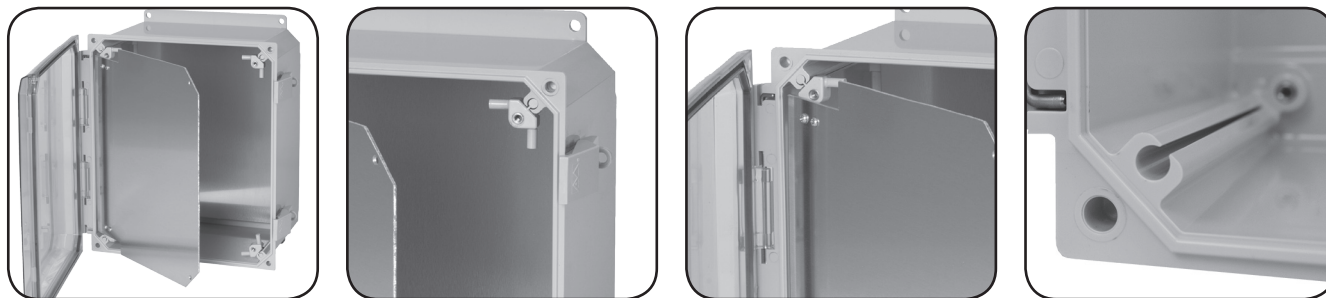
“HFPP” Aluminum Panel Systems

HFPP Kit (P/N)	Enc. Base (P/N)	A	B	C	D	E
HFPP66	AMP664	5.44	5.61	2.64	3.36	4.19
		138mm	142mm	67mm	85mm	106mm
HFPP86	AMP864	7.44	5.61	4.67	3.36	6.19
		189mm	142mm	119mm	85mm	157mm
HFPP88	AMP884	7.44	7.63	4.64	5.38	6.19
		189mm	194mm	118mm	137mm	157mm
HFPP108	AMP1084	9.43	7.63	6.63	5.38	8.18
		239mm	194mm	168mm	137mm	208mm
HFPP120	AMP1206	11.55	9.58	8.63	7.33	10.13
		293mm	243mm	219mm	186mm	257mm
HFPP142	AMP1426	13.10	11.25	10.61	9.00	11.75
		333mm	286mm	269mm	229mm	298mm
HFPP164	AMP1648	14.75	12.88	12.23	12.13	13.44
		375mm	327mm	245mm	289mm	339mm
HFPP186	AMP1860	16.88	14.88	14.19	14.13	15.44
		429mm	378mm	295mm	340mm	393mm



All dimensions are in inches unless otherwise noted.

# POLYLINE® Series Adjustable Hinged Front Panels Installed:



	Enclosure Used With	Optional Aluminum Back Panel	Optional Aluminum Back Panel	Optional Steel Back Panel	Optional Steel Back Panel	Without Optional Back Panel	Optional Steel Back Panel	C=Bottom to Panel Mount Bosses	D=Hinged Front Panel to Inside Cover	D=Hinged Front Panel to Inside Cover
	(Base P/N)	A (MAX.)	A (MIN.)	A (MAX.)	A (MIN.)	B (MAX.)	B (MIN.)		(MIN.)	(MAX.)
HFPP66	AMP664	3.21	1.71	3.24	1.74	3.96	2.47	.66	.76	2.26
		82mm	43mm	82mm	44mm	101mm	63mm	17mm	19mm	57mm
HFPP86	AMP864	3.22	1.72	3.25	1.75	3.96	2.46	.66	.76	2.26
		82mm	44mm	83mm	44mm	101mm	62mm	17mm	19mm	57mm
HFPP88	AMP884	3.21	1.71	3.24	1.74	3.96	2.46	.66	.76	2.26
		82mm	43mm	82mm	44mm	101mm	62mm	17mm	19mm	57mm
HFPP108 HFPP120	AMP1084 AMP1204	3.21	1.71	3.24	1.74	3.96	2.46	.66	.76	2.26
		82mm	43mm	82mm	44mm	101mm	62mm	17mm	19mm	57mm
HFPP120	AMP1206	5.21	3.71	5.24	3.74	5.96	4.47	.66	.76	2.38
		132mm	94mm	133mm	95mm	151mm	114mm	17mm	19mm	60mm
HFPP142	AMP1426	5.21	3.71	5.24	3.74	5.96	4.47	.66	.76	2.19
		132mm	94mm	133mm	95mm	151mm	114mm	17mm	19mm	56mm
HFPP164	AMP1648	6.95	1.25	6.98	1.28	7.72	2.02	.66	1.19	6.89
		177mm	32mm	177mm	33mm	196mm	51mm	17mm	30mm	175mm
HFPP186	AMP1860	8.95	1.25	8.98	1.28	9.72	2.02	.66	1.19	8.89
		227mm	32mm	228mm	33mm	247mm	51mm	17mm	30mm	226mm

All dimensions are in inches unless otherwise noted

Data subject to change without notice



## Inspection Windows

Allied Moulded's new inspection window kits are designed to provide visibility and easy viewing access to equipment and components installed in an enclosure, while maintaining ratings up through NEMA Type 4X. The window kit features a strong and rigid design, securely mounting to the outside of most enclosure designs. The window kit is available in three convenient sizes to allow for sufficient viewing space in any required application.

### APPLICATION

- Ideal for providing a convenient viewable area not accessible to equipment and components installed inside an enclosure
- Especially well suited for high temperature or corrosive environments
- Includes mounting hole pattern for easy window installation
- Protects from UV, dirt, dust, oil and water

### STANDARDS

- Recognized component for use with enclosures rated NEMA Types 1, 3, 3R, 4, 4X, 12 or 13

### CONSTRUCTION

- Clear polycarbonate thermoplastic
- UV stabilized for outdoor use
- Formed-In-Place (FIP) polyurethane gasket in continuous channel
- Designed for use with wall thicknesses from 16 gauge through 1/4"
- #10-32 threaded brass inserts with plated steel mounting fasteners
- Convenient sizes for easy viewing access to a variety of enclosure applications

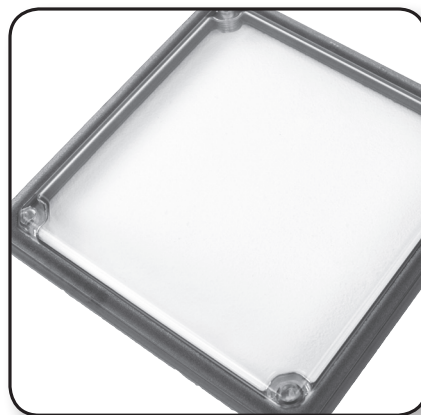


Scan to learn more about our inspection windows!



#### Formed-In-Place Gasket System

Polyurethane gasket system, encased in a continuous channel for maximum protection from extreme weather conditions and environments.



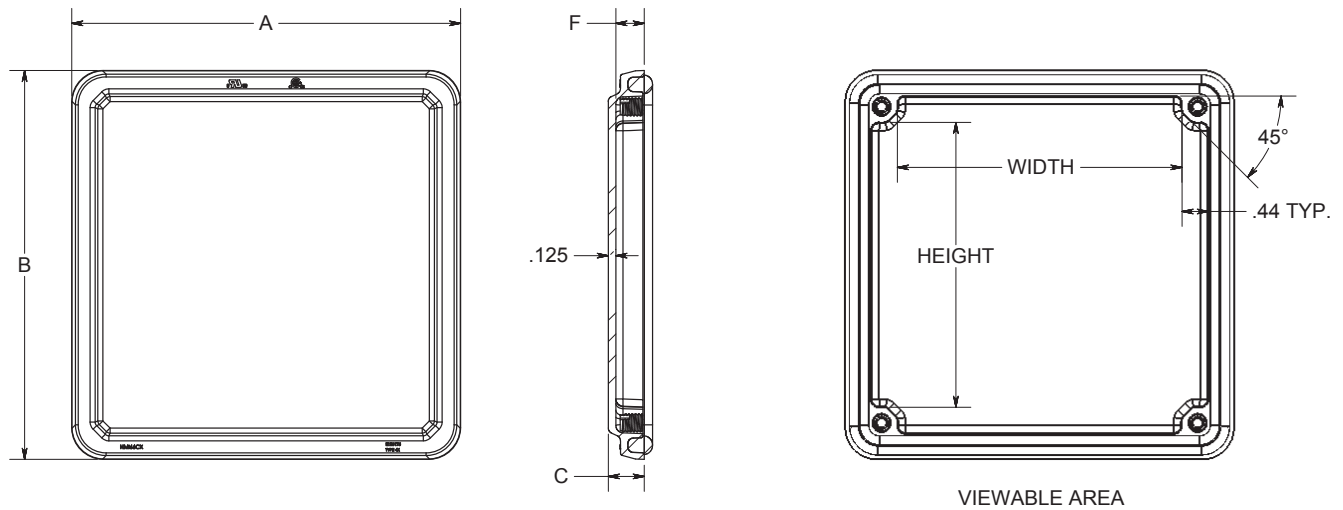
#### Aesthetically Pleasing Design

Uniform design with slightly raised cover plate edges for a maximum viewing area. The polycarbonate window allows for crystal clear vision inside the enclosure.



#### Threaded Brass Inserts

#10-32 threaded brass inserts allow the window to be securely fastened to the enclosure. No need to worry about loose connections!



Note: For use on flat surfaces of Type 1, 3, 3R, 4, 4X, 12 or 13

Part No.	Frame Size Inside Dimensions			Usable Depth	Max Viewing Area		Nom. Wall Thickness
	A	B	C		F	Width	
AMHMI66CX	6.5	6.5	0.6	0.47	5.64	5.64	0.125
	165mm	165mm	15mm	12mm	143mm	143mm	3mm
★ AMHMI95CX	7.25	10	0.6	0.47	5.55	9.14	0.125
	184mm	254mm	15mm	12mm	141mm	232mm	3mm
★ AMHMI138CX	9.7	14.7	0.6	0.47	8	13	0.125
	246mm	373mm	15mm	12mm	203mm	330mm	3mm

All dimensions are in inches unless otherwise noted  
 ★Coming Q4 – 2016



## HMI Cover Kits

Allied Moulded's new HMI cover kits are designed to provide protection for instruments or electronics requiring routine attention or detail. The cover kit features a strong and rigid design, mounting securely to the outside of any enclosure option, and makes accessibility to electronic components easy!

HMI cover kits are UL® recognized and maintain a NEMA 4X seal with the use of our Formed-In-Place (FIP) polyurethane gasket system, and is well suited for outdoor applications. Multiple cover latching options are also available, including a hinge screw, tamper proof screw, and snap latch model. All are available in solid opaque or polycarbonate thermoplastic clear covers.



### APPLICATION

- Ideal for covering and protecting instruments or electronics through an enclosure wall, while maintaining all applicable standards and classifications
- No need to open the enclosure to view electronics or perform maintenance, decreasing arc flash risks and safety hazards
- Includes mounting hole pattern for easy cover kit installation
- Protects from UV, dirt, dust, oil and water

### CONSTRUCTION

- Clear polycarbonate thermoplastic, or polycarbonate for opaque covers
- 316 stainless steel hinge pin
- UV stabilized for outdoor use
- Formed-In-Place (FIP) polyurethane gasket in continuous channel
- Designed for use with wall thicknesses from 16 gauge through 1/4"
- #10-32 threaded brass inserts with plated steel mounting fasteners



Scan to learn more about HMI cover kits!

### STANDARDS

- Recognized component for use with enclosures rated NEMA Types 1, 3, 3R, 4, 4X, 12 or 13



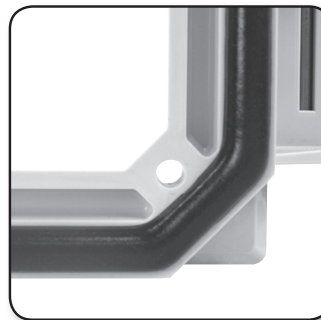
#### Cover Latching Options

Including hinged screw cover, tamper proof screw cover, and snap latch models for secure cover installation and security for every application.



#### Secure Hinge Pin

Made from 316 stainless steel, keeps cover secure, protecting from outdoor elements such as UV, dirt, dust, oil, and water



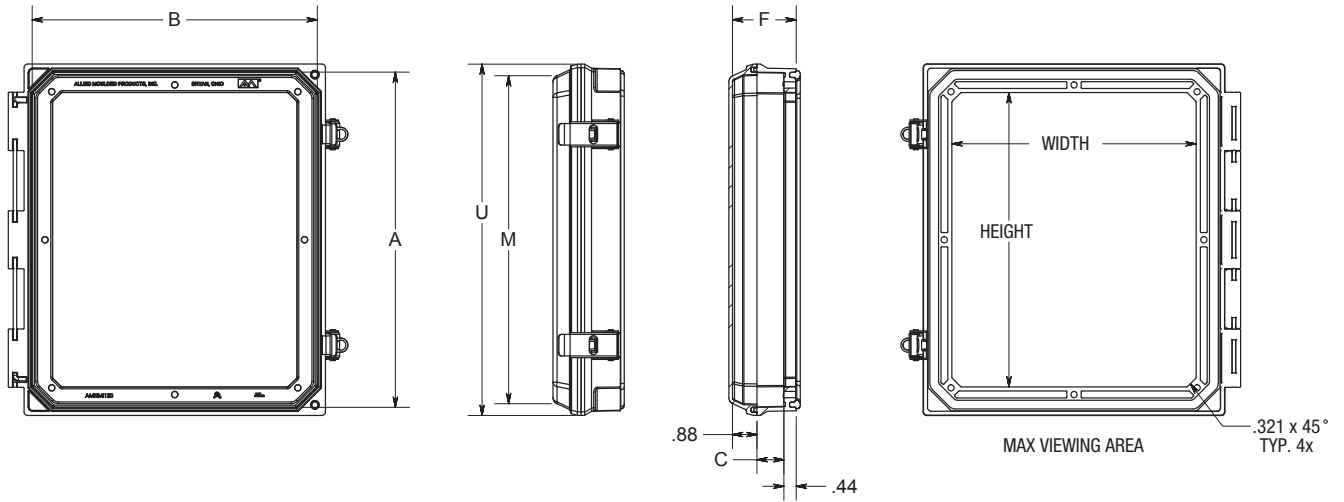
#### Formed-In-Place Gasket

Made with strong polyurethane, protects HMI equipment and electronics, while providing a reliable seal between cover and cover kit option

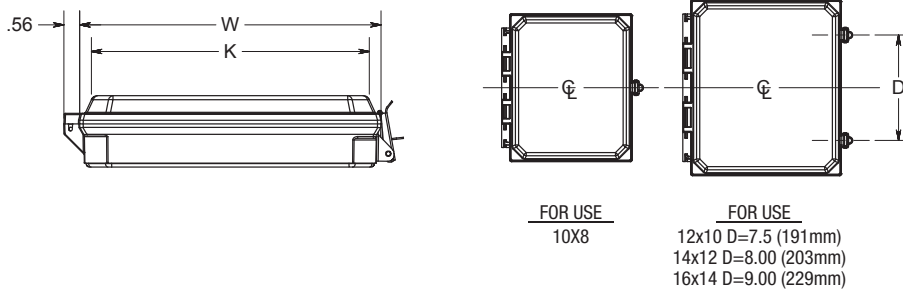


#### Application Driven

For use with a variety of electrical mounting or component applications, driving innovation and desired capabilities in unique markets



**LATCH LOCATIONS**



Part No. Configuration Options	
Part No. Suffix	Description
CCH	Clear Cover Hinge
CCHTP	Clear Cover Tamper Proof Screw
CCL	Clear Cover Snap Latch
H	Opaque Cover Hinge
HTP	Opaque Cover Hinge Tamper Proof Screw
L	Opaque Cover Snap Latch

Add the "Part No. Suffix" to the base part number below to create a complete HMI cover kit (ex. AMHMI120CCL is a 12" x 10" with a clear cover and latch)

Base Part No.	Frame Size Inside Dimensions			Usable Depth	Cover Size				Max Viewing Area		Nom. Wall Thickness
	A	B	C		F	K	M	W	U	Width	
★ AMHMI108	9.93	8.15	0.96	2.27	7.89	9.67	8.72	10.5	6.69	8.47	0.14
	252mm	207mm	24mm	58mm	200mm	246mm	221mm	267mm	170mm	215mm	4mm
AMHMI120	11.93	10.15	0.96	2.27	9.89	11.67	10.72	12.5	8.69	10.47	0.14
	303mm	258mm	24mm	58mm	251mm	296mm	272mm	318mm	221mm	266mm	4mm
AMHMI142	13.95	12.07	0.96	2.2	11.89	13.67	12.72	14.5	10.71	12.49	0.19
	354mm	307mm	24mm	56mm	302mm	347mm	323mm	368mm	272mm	317mm	5mm
★ AMHMI164	15.87	14.07	0.96	2.2	13.89	14.72	14.72	16.5	12.71	14.49	0.19
	403mm	357mm	24mm	56mm	353mm	374mm	374mm	419mm	323mm	368mm	5mm

All dimensions are in inches unless otherwise noted  
 Base part number listed only. To complete part number, refer to the "Part # Suffix" chart above  
 Refer to website for complete mounting hole pattern configuration  
 ★Coming Q4 – 2016

Data subject to change without notice





## Hole Plug Assemblies

# ULTRAPLUG®

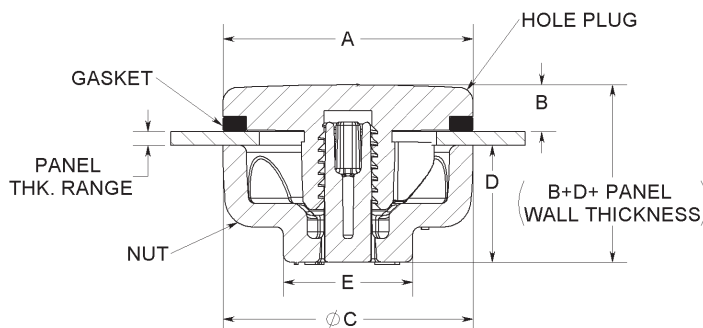
### Hole Plug Features:

- Plug "Fins": self centering, anti-rotational design for fast & easy one person plug assembly and no-tools tightening
- Plug fits wide range of hole sizes without the use of restrictive hole centering spacers
- Patented design: US Patent No. 9,045,932
- Recognized component for use with UL & CSA listed enclosure products
- Molded material of construction for a wide range of chemical compatible applications (polycarbonate with neoprene/EPDM gasket)
- Assembly designed to maintain applicable NEMA/UL/CSA enclosure ratings  
Note: For use on flat surface of a Type 1, 3R, 4, 4X or 12 enclosure
- Designed for use with wall thicknesses from 16 gauge through 1/4"
- Designed for use with all metallic and nonmetallic enclosure materials
- Low profile interior nut and exterior plug saves valuable panel space
- Capable of sealing unused holes ranging in size from 1/2" to 4-3/4"



### Simple Install

- 1) Push/Plug
- 2) Twist-lock/Fins
- 3) Screw-tight/Nut



Scan for more information or visit [ultraplug.alliedmoulded.com](http://ultraplug.alliedmoulded.com)

Note: For use on flat surface of Types 1, 3R, 4, 4X and 12 enclosures.

P/N General Purpose Polycarbonate RAL 7035 Light Gray	P/N General Purpose Polycarbonate ANSI 61 Dark Gray	Trade Size Ref. (nom. In.)	Plugged Hole Dia. Range (In.)	Wall Thickness Range (In.)	A Plug Diameter (In.)	B Plug Head Height (In.)	C Nut Diameter (In.)	D Nut Height (In.)	E Across Flats (In.)
AMHSPL-S	AMHSPL-SGY	Pilot Light (.500)	.500-.624	.059-.250	1.120	0.235	1.060	0.500	0.545
AMHSPL	AMHSPL-GY	Pilot Light (.625)	.625-.812	.059-.250	1.120	0.235	1.060	0.500	0.545
AMHS050	AMHS050-GY	1/2" Conduit (.875) 22mm PB (.886)	.812-.937	.059-.250	1.245	0.235	1.185	0.500	0.605
AMHS075	AMHS075-GY	3/4" Conduit (1.109) 30mm PB (1.210)	1.000-1.312	.059-.250	1.620	0.235	1.560	0.500	0.945
AMHS100	AMHS100-GY	1" Conduit (1.375)	1.375-1.625	.059-.250	1.923	0.235	1.873	0.500	0.945
AMHS125	AMHS125-GY	1-1/4" Conduit (1.734)	1.687-1.875	.059-.250	2.183	0.235	2.123	0.500	1.195
AMHS150	AMHS150-GY	1-1/2" Conduit (1.984)	2.000-2.187	.059-.250	2.495	0.235	2.435	0.500	1.195
AMHS200	AMHS200-GY	2" Conduit (2.469)	2.500-2.75	.059-.250	3.120	0.235	3.060	0.750	1.291
AMHS250	AMHS250-GY	2-1/2" Conduit (2.969)	2.875-3.125	.059-.250	3.495	0.235	3.435	0.750	1.491
AMHS300	AMHS300-GY	3" Conduit (3.594)	3.500-3.750	.059-.250	4.120	0.235	4.060	0.750	1.491
AMHS350	AMHS350-GY	3-1/2" Conduit (4.125)	4.000-4.250	.059-.250	4.620	0.235	4.560	0.750	1.491
AMHS400	AMHS400-GY	4" Conduit (4.641)	4.500-4.750	.059-.250	5.120	0.235	5.060	0.750	1.491

Polycarbonate (PC) can be used as a substitute for carbon steel plug applications plus many stainless steel and other nonmetallic plug applications. Please check industry standard corrosion guides for additional application assistance.



# Pole Mount Kits

Allied Moulded's Pole Mount Kit offers the ability to mount enclosures including sizes 6" x 6" x 4" through 60" x 36" x 16" to any wood, plastic, or steel pole securely without excessive materials and labor.

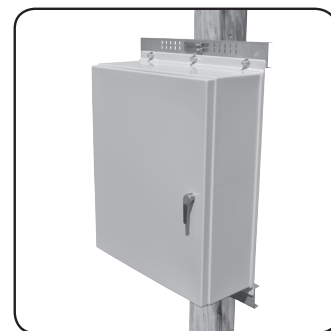
Manufactured with the electrical contractor in mind, Allied Moulded's Pole Mount Kit provides an easy solution for all enclosures. Not only is it designed for round poles, but the pole mount kits have the capability to mount enclosures to square and rectangular pole shapes as well.

## FEATURES & BENEFITS

- Nine sizes covering AM JIC, AMU JIC, AMP JIC, and Control Series enclosures
- Steel band design allows for adjustable mounting capability on pole sizes up through 15 inches in diameter
- Allied Moulded pole mount kits have the capability to mount enclosures to round, square, and rectangular pole shapes
- Fewer parts are used so minimal assembly is required for installation
- Pole mount kits offer corrosion protection for outdoor use

## CONSTRUCTION

- Pole mount flange: galvanized steel; 14 gauge (.075 in.)
- Pole mount band clamps: 316 stainless steel (48 in.)
- Flange fasteners (screws, washers, and lock nuts): 316 stainless steel (#10-32)



ENCLOSURE POLE MOUNT KITS ARE USED WITH			
Kit Number	AM Series Units <sup>1</sup>		AMU & AMP Flange Mount Units <sup>2</sup>
	Standard Mount	Rotated 90 Degrees	Standard Mount
AMPOLEMNT6	AM664, AM864	None	AMU(P)664, AMU(P)864
AMPOLEMNT8	AM1084, AM1086	AM864	AMP884, AMP1082, AMU(P)1084, AMP1086
AMPOLEMNT10	AM1206	AM1084, AM1086	AMP1204, AMU(P)1206
AMPOLEMNT12	AM1224, AM1226, AM1426	AM1206	AMU(P)1426
AMPOLEMNT14	AM1648	AM1224, AM1226, AM1426	AMU1648
AMPOLEMNT16	AM1868, AM2068	AM1648	AMU1860, AMHD1860, AMU2060
AMPOLEMNT20	AM2420	None	None
AMPOLEMNT24	AM2424, AM3024	AM2420	None
AMPOLEMNTEMP	AMEC363012, AM363016, AM363612, AM363616, AM483612, AM483616, AM603612, AM603616		

<sup>1</sup> Pole mount brackets are directly mounted to the back of the these enclosures.

<sup>2</sup> Enclosure flange is bolted through and attached to the pole mount bracket on these enclosures.



## Enclosure Keylock Kits

### PART NO.: AMKEYLOCKFC, AMKEYLOCKRC, and AMKEYLOCKRCHFP

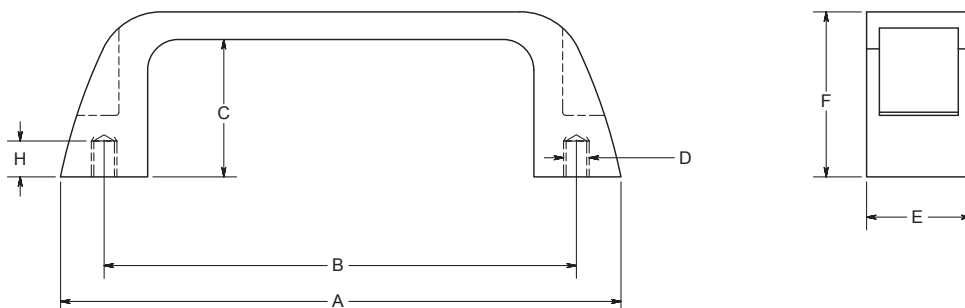
- AMKEYLOCKFC keylock assembly kit for (F)flat (C)cover enclosures 6x6 through 20x16 (AM Series)
- AMKEYLOCKRC keylock assembly kit for (R)raised (C)cover enclosures 6x6 through 30x24 (AM-R Series)
- AMKEYLOCKRCHFP keylock assembly kit for (R)raised (C)cover enclosures with a (H)hinge (F)front (P)panel installed in enclosures 10x8 through 30x24 (AM-R Series)
- Kits include: Two keys, keylock assembly, cam, dust cover, lock bracket, and hardware
- Field installable while requiring only a round hole to be cut into the cover
- Keylocks are sold with a self locking nut for tight and secure assembly
- Just a 1/4 turn rotation is required to lock the enclosure cover
- Installed keylock assemblies have been tested and pass the NEMA 4X watertight test
- Manufactured components are RoHS compliant (Restriction of Hazardous Substances)



## Pull Type Handle

### PART NO.: AMHDL001

- Handle: Glass fiber reinforced nylon
- Finish: Black matte
- Screws and lock washers included

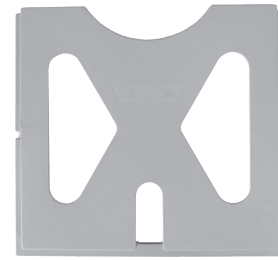


Part No.	A	B	C	D	E	F	H
AMHDL001	5.47	4.61	1.34	1/4 - 20	1.02	1.61	0.35
	139mm	117mm	34mm	---	26mm	41mm	9mm

## Enclosure Print Pocket

### PART NO.: AMPRINTPOCKET

- Easy to install in the field
- Store prints or other important documents inside the enclosure
- Gray polystyrene print pocket for large JIC Series, Control Series, and Empire Series enclosures
- Two-sided adhesive tape pre-applied to print pocket
- Size: 9.375 in (H) x 10.375 in (W) x 1.045 in (D)  
238 mm (H) x 264 mm (W) x 27 mm (D)



## Enclosure Ventilation Kit

### PART NO.: AMVENTSM & AMVENTLG

- Gray polyamide material
- Use with JIC Series enclosures - install two per enclosure
- Installation instruction sheet included
- Seal included in kit to ensure raintight enclosure protection
- Two vents per kit for field installation allows for sufficient air circulation and prevents condensation and moisture

#### Overall Dimensions:

AMVENTSM; 1 in (25 mm) x 1.125 in (29 mm) and requires .75 in (19mm) through hole

AMVENTLG; 2 in (51 mm) x 2.675 in (68 mm) and requires 1.156 in (29 mm) through hole



## Enclosure Filter Kit

### PART NO.: AMPFA1000, AMPFA2000, and AMPFA3000

- Three sizes covering large JIC Series, Control Series, and Empire Series enclosures
- Nonmetallic made from strong ABS-FR, self-extinguishing material (UL 94 VO)
- Snap-in design allows for hardware-free installation
- Gaskets included provide a NEMA 12 seal against the enclosure
- Filter cover comes standard in light gray RAL 7035 color
- Installation instruction sheet included
- Replaceable filter material provides for 73% filtration efficiency
- Filter density is standard 150 (g/m<sup>2</sup>)



#### Size Information:

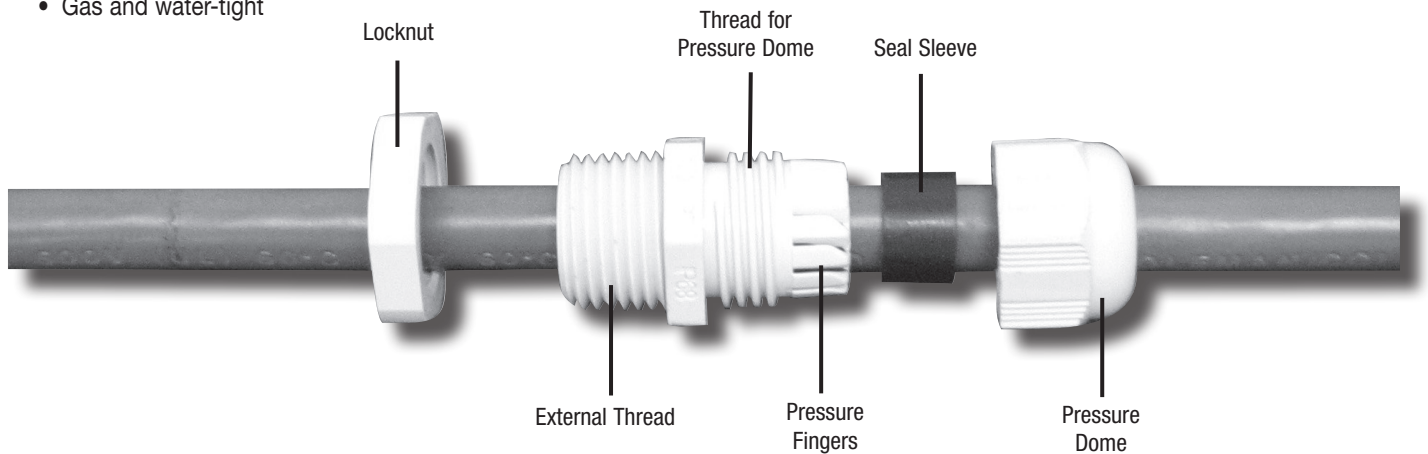
- AMPFA1000; 4.133 in (105mm) x 4.133 in (105mm) x 0.39 in (10mm)
- AMPFA2000; 5.905 in (150mm) x 5.905 in (150mm) x 1.06 in (27mm)
- AMPFA3000; 9.842 in (250mm) x 9.842 in (250mm) x 1.18 in (30mm)

*Note: There are other thermal management accessories available upon request. These include: Fans, replacement filters, heaters, air-conditioners, and thermostats. Please contact factory for more information.*

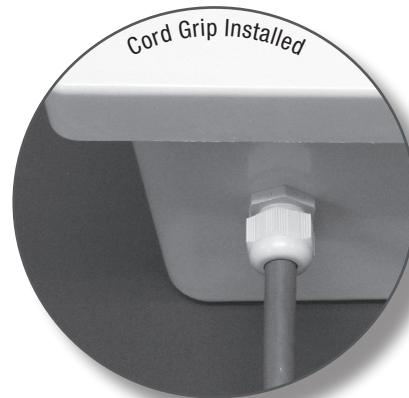
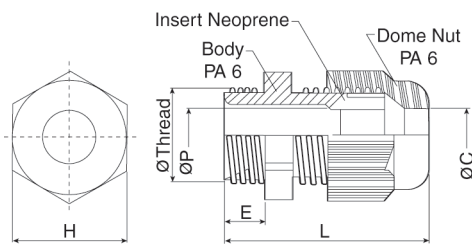


## Cord Grips

- Body: Polyamide 6
- Seal: Neoprene
- Lock Nut: 25% glass fiber reinforced Polyamide 6
- Color: Light Gray
- Maximum strain relief through clamping range
- IP68 achieved without seal rings
- Trapezoidal thread with high torque guarantees tight and permanent fit of the dome nut
- Gas and water-tight
- CSA approved and UL listed
- Temp range: PA 6 -40°C to 100°C (-40°F to 212°F)  
Neoprene -25°C to 100°C (-13 to 212°F)
- Recommended enclosure hole size for external thread:  
NPT 1/2" 21.8mm (.8594 in); NPT 3/4" 27.4mm (1.0781 in);  
NPT 1" 34.1mm (1.3438 in)



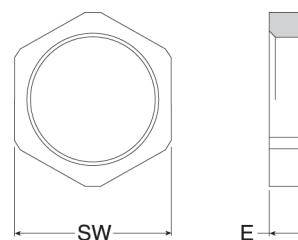
## Cord Grip Dimensions



Thread Size	Part Number	Clamping Range (mm)	Package Quantity	H (mm)	E (mm)	L (mm)	Dia. C (mm)	Dia. P (mm)	Dia. NPT/M (mm)
NPT 1/2"	5308901	5 to 12	50	24	14	44	12.5	12.5	21.2
NPT 3/4"	5308902	9 to 18	50	33	15	54	18.5	18.5	26.7
NPT 1"	5308903	14 to 25	50	42	18	60	25.5	25.5	33.3

### LOCK NUT DIMENSIONS

Thread Size	Part Number	Package Quantity	Thickness E (mm)	SW (mm)
NPT 1/2"	7211486-50	50	6	27
NPT 3/4"	7211487	20	7	36
NPT 1"	7211488	20	7	41



# ACCESSORY KITS

## LATCH HARDWARE KITS

- Used with AM, AM-R, AMP, and AMU Series enclosures, and HMI cover kits
- Feature a multitude of snap and twist latch mechanisms
- Available for both flat and raised cover enclosures
- Nonmetallic latches match standard RAL 7035 color



Size Range	Used With	Kit Description	Part #
6x6 thru 20x16	AM Series	316 stainless steel snap latch with keeper and hardware kit (rivot)	LLK-H316
6x6 thru 20x16	AM Series	316 stainless steel twist latch with keeper and hardware kit (rivot)	LTK-H316
6x6 thru 30x24	AM-R Series	316 stainless steel snap latch kit for raised cover (rivot, screw)	LLKR-H316
6x6 thru 30x24	AM-R Series	316 twist latch for raised cover with keeper and hardware kit (rivot, screw)	LTKR-H316
10x8x2	AMP Series	316 stainless steel reverse snap latch kit (slip-on)	LLRS-H
10x8 thru 16x14	HMI Series	316 stainless steel reverse snap latch kit (slip-on)	LLRS-H
6x6 thru 20x16	AMP / AMU Series	Polycarbonate snap latch kit (slip-on)	LLPN-H
6x6 thru 20x16	AMP / AMU Series	316 stainless steel snap latch kit (slip-on)	LLPS-H
6x6 thru 20x16	AMP / AMU Series	316 stainless steel twist latch kit (slip-on)	LTPS-H

## MOUNTING FOOT / BRACKET KITS

- Used with small junction boxes, AM, AM-R, Control Series, AMU, and AMP series enclosures
- 4 screws and 4 feet per pack
- Nonmetallic feet match standard RAL 7035 color

Size Range	Used With	Kit Description	Part #
AM743 and AM943	AM743 and AM943	316 stainless steel foot kit with 4 screws, 4 washers, and 4 screws	AM4-PFSN
6x6 thru 20x16	AM / AM-R	316 stainless steel foot kit with 4 screws and 4 feet	AM4-NFS
24x20 thru 30x24	Control Series	316 stainless steel foot kit with 4 screws and 4 feet	AM4-NLFS
6x6 thru 14x12	AMU / AMP	Polycarbonate foot kit with 4 screws and 4 feet	AM4-NUFS
16x14 thru 20x10	AMU / AMP	Polycarbonate foot kit with 4 screws and 4 feet	AM4-NULFS
42"	Control XL	Fiberglass (FRP) foot kit with 4 screws and 4 feet	AM4-NXLFS



## PANEL SCREW KITS / NONMETALLIC HINGE CLIPS

- Used with all enclosure options featuring back panel options
- Four (4) plated carbon steel screws with universal panheads
- POLYLINE® nonmetallic hinge clips available in 2-pack, and are field installable

Size Range	Used With	Kit Description	Part #
6x6 thru 20x16	JIC	Plated carbon steel back panel screw kit (#10-32)	AM4-NPS
24x20 thru 30x24	Control	Plated carbon steel back panel screw kit (3/8-16)	AM4-NLPS
16" thru 18"	Polyline®	Polycarbonate hinge clip kit (2 pack)	AMPHINGECLIP

