



PROLINK

Wireless Intercom System

Touchboards

205 Westwood Ave, Long Branch, NJ 07740

Phone: 866-94 BOARDS (26273) / (732)-222-1511

Fax: (732)-222-7088 | E-mail: sales@touchboards.com

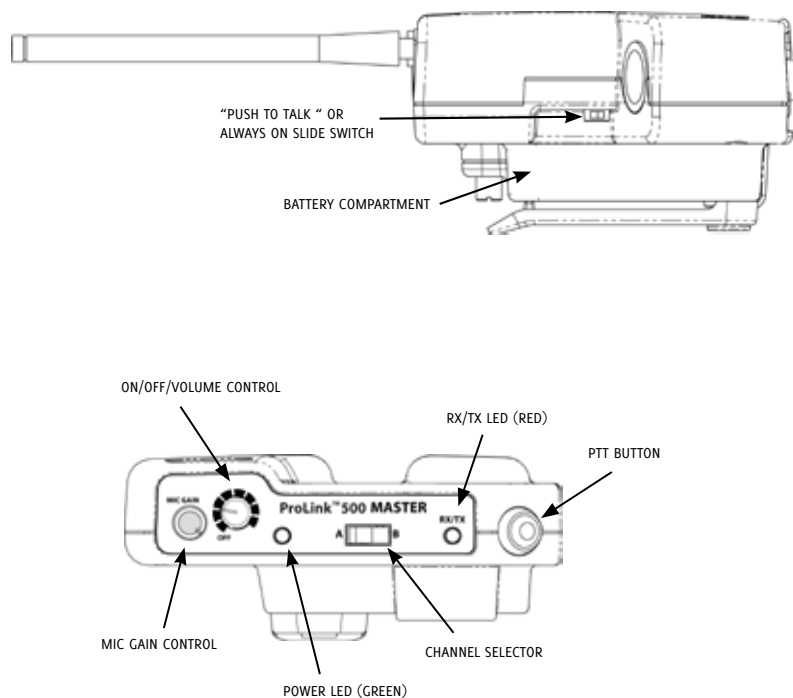
Perfect for...

- House of Worship
- College Production
- Broadcast Studios
- Event Coordination
- Football Coaches
- Military Aircraft
- Flight Decks
- Theaters
- Musicals
- and more!



FEATURES

- 500 ft. line of sight wireless communication
- A/B channel selection
- Up to two channels with four users per channel
- Unlimited number of listen only units
- Push to Talk or Always On modes
- Choice of single, dual muff, or lightweight headset
- Heavy duty 3-pin XLR connector
- Microphone gain adjustment knob
- Out of range LED indicator
- Batteries operate 10 - 12 hours on a single charge
- Rechargeable batteries included
- Optional rechargeable battery kit
- FCC license free



ProLink 500 Packages	
PRO-540	Four User Package: One master beltpack, three remote beltpacks, four headsets, one gang charger & one sturdy cardboard carrying case
PRO-570	Seven User Package: Two master beltpacks, five remote beltpacks, seven headsets, two gang chargers & one sturdy cardboard carrying case
System Components	
BP-500M	ProLink master beltpack
BP-500R	ProLink remote beltpack (1, 2, 3)
BP-500L	ProLink listen only beltpack
H-2000	Intercom headset - dual muff
H-2000S	Intercom headset - single muff
H-2000L	Intercom headset - dual muff (listen only)
H-2000LS	Intercom headset - single muff (listen only)
H-2000LT	Intercom headset - lightweight
GC-500	Gang charger for four beltpacks
HC-ARMOR24-PL	Anchor Armor hard case - ProLink 500

Technical Specifications	
BP-500 - ProLink Beltpack	
Frequency Range	902 - 928MHz
Modulation	FSK
Wireless Range	Duplex 500' (152.4 m) line of sight
Antenna	1/2 - wavelength dipole
Power Supply	9VDC, 1.2ADC
Battery Life	10 - 12 hours
Dimensions (HWD)	4" x 3.5" x 2" (10.2 x 8.9 x 5.1 cm)
Weight	1 lb / .5 Kg (with batteries)

Technical Specifications (cont)	
H-2000/H-2000S - Dual Muff / Single Muff Headset	
Drivers	Dynamic, 40mm
Impedance	300 Ω +/-15%
Frequency Response	20Hz - 20KHz
SPL	91dB +/- 3dB
Rated Power	> 40mW
Distortion	< 5%
Microphone	Dynamic, uni-directional, low impedance
Microphone Sensitivity	Referenced to 0dB=1V/μbar,1kHz Min -85 dB / Typical -83 dB / Max -81 dB
Frequency Response	200Hz - 12KHz
Connector Plug	3-pin XLR female
Weight	Dual: 1 lb / 0.5 Kg Single: 0.8 lb / 0.4 Kg

(Features & Specifications Subject to Change Without Notice)

