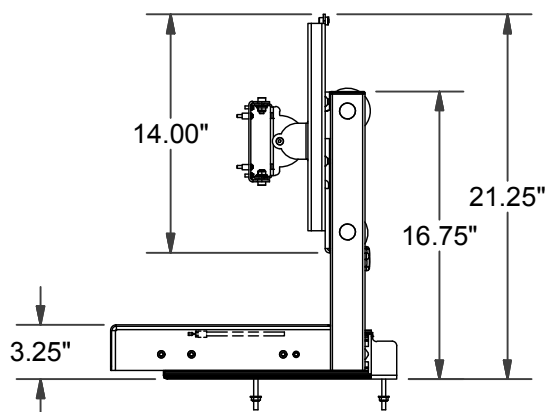
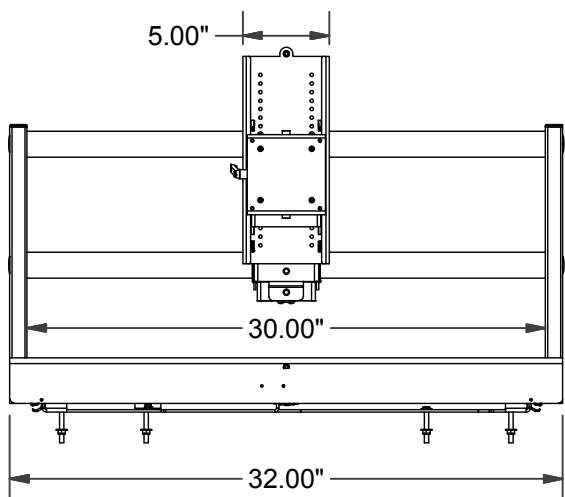
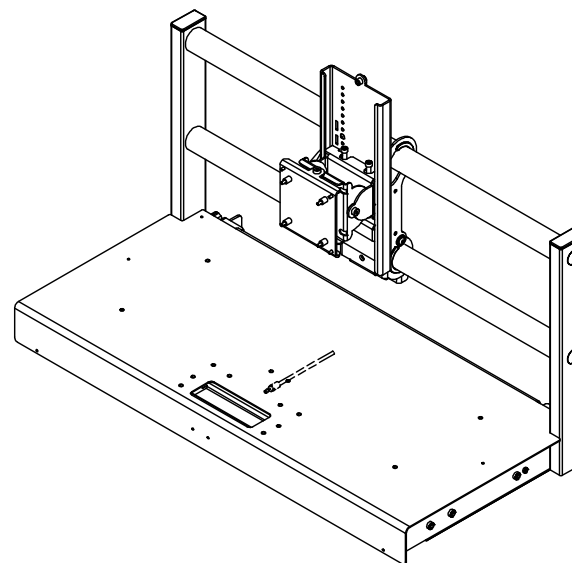
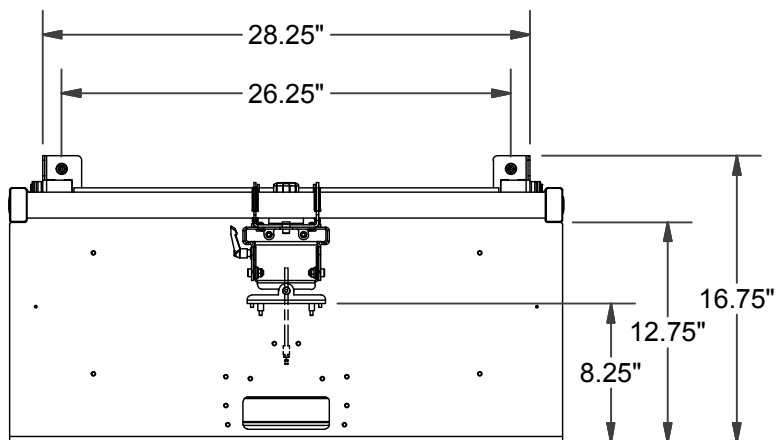


Revisions



PARTS SHOWN NOT TO SCALE
ALL DIMENSIONS IN DECIMAL INCHES
UNLESS OTHERWISE NOTED

This document contains proprietary
information of Anthro Corporation
© 2015 Anthro Corporation
All Rights Reserved

Tolerance .X ± .1
.XX ± .025
.XXX ± .015
Angular X ± 1°

ANTHRO Technology Furniture
10450 SW Manhasset Dr
Tualatin, OR 97062
Phone (503) 691-2556
Fax (503) 691-2409
anthro.com

Part Description:
MONITOR EASY TRACK

Anthro Part Number:
METBK
Prototype #: SS ArcView Wide
Drawn By: *bmrurik*
Approved By: *RLE*
Material:

Surface Area: N/A	Rev
Mass: N/A	-