

# THE PEANUT™

If all you need is a simple and steady place to plop your laptop, Chromebook, or tablet while on the go, The Peanut is the cart for you. Available in two styles to match your equipment, it's the easy choice when heavy-duty COW carts are just too much.

## PRODUCT SPECIFICATIONS

- Shelf:** Shelf is 12 gauge steel with baked-on powder coat finish.
- Column:** 2"-diameter steel tube, 16 gauge, with baked-on powder coat finish.
- Casters:** Soft rubber, black, twin-wheel 3" casters; front two locking.
- Warranty:** Lifetime Warranty against manufacturing defects.
- Colors:** Column and base are Grey Metallic. Shelf and handle are Polar White.



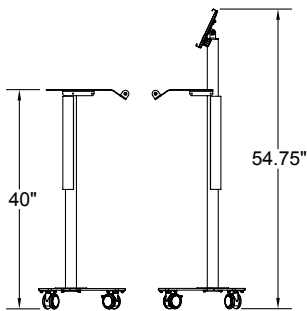
Teresa in Accounting uses The Peanut to share her favorite snack.

## THE PEANUT



THE PEANUT

THE PEANUT FOR TABLETS



- Sweet and Simple. But it's a tough little nut!
- The Peanut holds any laptop or other small device up to 10 lbs on 18" wide x 11.25" deep work area.
- The Peanut for Tablets holds your tablet in a tilting mount, and has a simple keyboard surface (18"w x 7.25"d).
- Round handle does double duty as a smooth wrist rest for quick, effortless keyboarding. Handle is integrated into the shelf and extends out 3.75".
- Worksurface is 40" high, comfortable standing height.
- Choose the level of security that's right for you! The Peanut for Tablets comes with three options. First, hard-mount your tablet case directly to the VESA mount at the top of the column. Second, add the 12-inch wide easel to the VESA mount and place your tablet on the cart for quick data entry, either directly on the tablet or using a keyboard on the shelf. Third, add the top grip to the easel to hold the top of your tablet so you have a little extra stability if you move the cart around a lot. Slip-on cable sleeve organizes and protects cords and cables along the column.
- Slim size fits into small exam rooms or makes a mobile kiosk in hallways or show rooms.
- Weighs a very light 24 lbs and 27 lbs (for Tablets style) so it moves effortlessly on twin-wheel 3" casters (two locking).
- All-metal construction makes it easy to clean. Durable baked-on powder coat finish stands up to regular cleanings.
- Cart holds ten pounds total.
- Comes with one metal shelf with integrated handle, 2"-diameter column, 17"-long snap-on cable sleeve, four-point base, and four 3" casters (two locking).
- Tablet Style comes with one tilting tablet mount assembly, one metal shelf with integrated handle, 2"-diameter column, 17"-long snap-on cable sleeve, four-point base, and four 3" casters (two locking).
- Comes with a Lifetime Warranty against manufacturing defects.
- Available in Grey Metallic with Polar White handle and shelf.

Grey Metallic (GM)	Polar White (PW)
--------------------	------------------

PRODUCT	Width	Shelf Depth	Overall depth	Shelf height	Overall height	Weight	Part #
The Peanut	18"	15"	16.5"	40"	40"	24 lbs.	PT1GMPW3
The Peanut for Tablets	18"	11.25"	17"	40"	54.75"	27 lbs.	PT2GMPW3



205 Westwood Ave, Long Branch, NJ 07740  
 Phone: 866-94 BOARDS (26273) / (732)-222-1511  
 Fax: (732)-222-7088 | E-mail: sales@touchboards.com

# THE PEANUT

Prices subject to change.  
 \*Not available for discount.