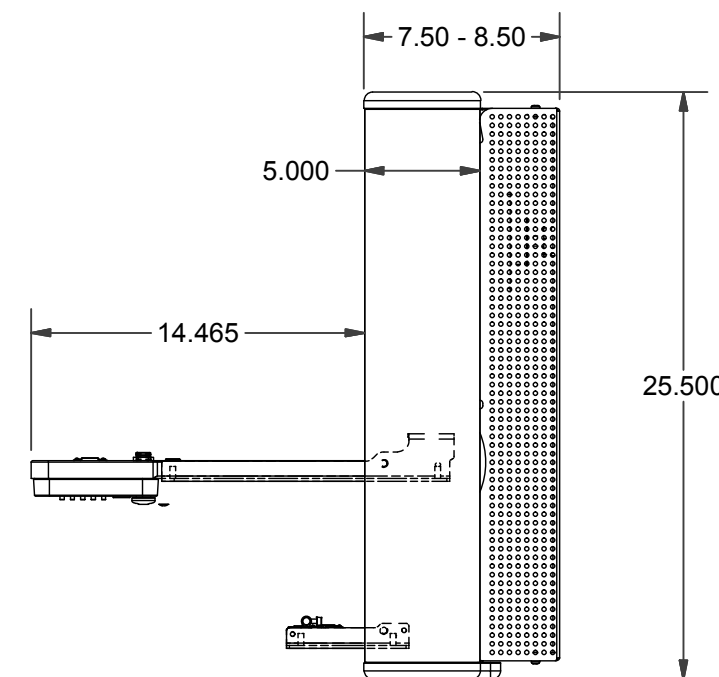
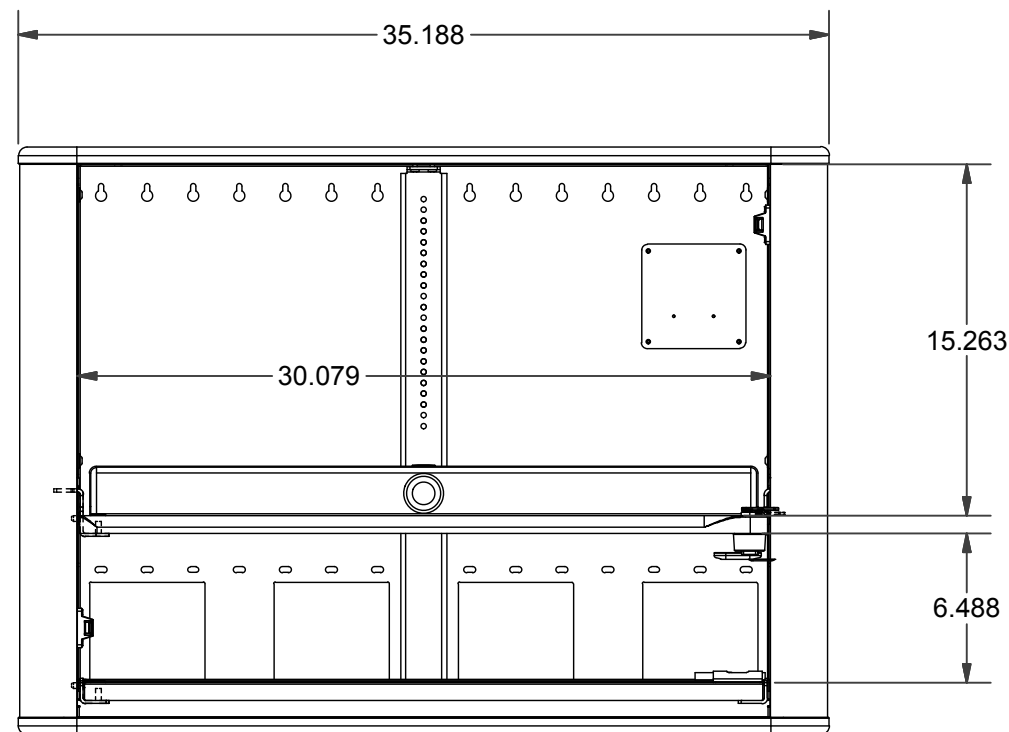
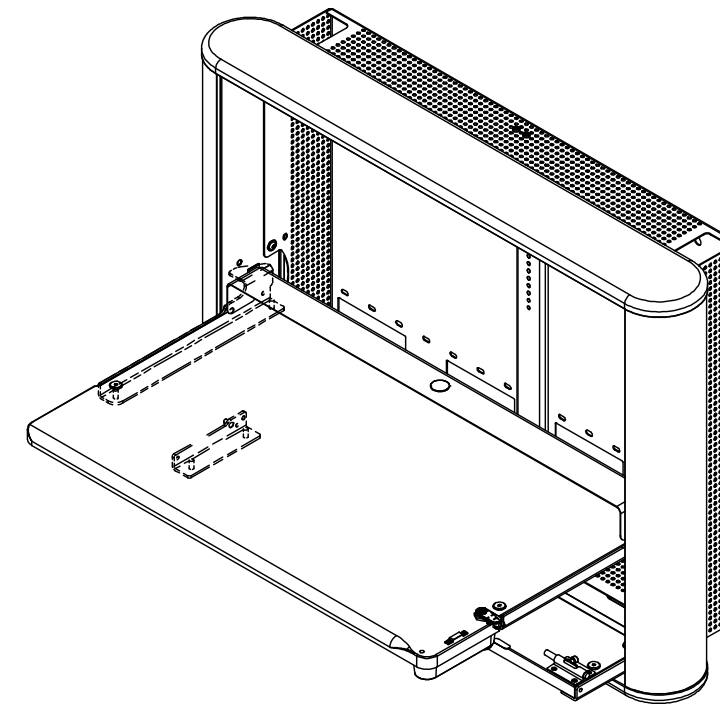
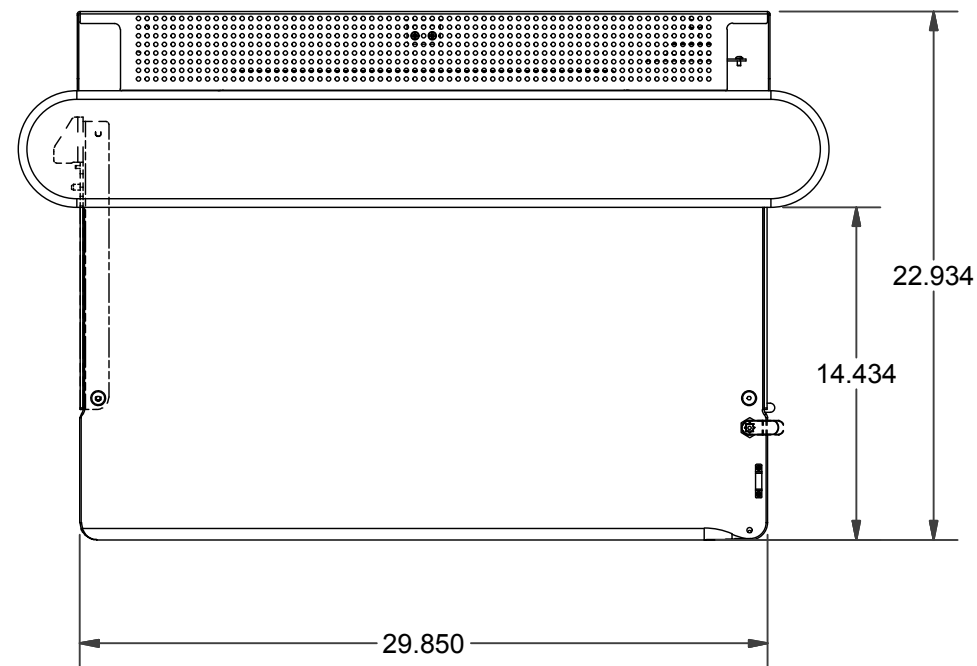




205 Westwood Ave, Long Branch, NJ 07740
 Phone: 866-94 BOARDS (26273) / (732)-222-1511
 Fax: (732)-222-7088 | E-mail: sales@touchboards.com



Revisions	
Date:	ECO #:
New Rev Level: A	ECO Completed By:
Description:	
Date: 4-25-08	ECO #: 2739
New Rev Level: B	ECO Completed By: TS
Description: Removed Screw 325-5496-00 and 325-5497-00 Nylon Spacer	
Date: 05-01-08	ECO #: 2758
New Rev Level: C	ECO Completed By: Sjp
Description: Replaced 575-5035-00 with 835-5279-00	

PARTS SHOWN NOT TO SCALE

This document contains proprietary information of Anthro Corporation
 Copyright 2004 Anthro Corporation
 All Rights Reserved

Tolerance	.XX ± .025 .XXX ± .015 .XXXX ± .0150 Angular X ± 1°
-----------	--

Technology Furniture
 10450 SW Manhasset Dr
 Tualatin, OR 97062
 Phone (503) 691-2556
 Fax (503) 691-2409

anthro.com

Part Description: eNook Pro Monitor Version	
Anthro Part Number: EPM3616ZZXX	
Prototype #: N/A	
Surface Area: N/A	
Material: VARIOUS	
Drawn By: sandi	Rev
Date: 5/19/2008	C