

THANK YOU FOR CHOOSING ANYWHERE CART!

The AC-PLUS and AC-PLUS-T are designed to charge and store up to 36 Chromebooks, tablets, and laptops. The AC-45 is designed to charge and store up to 45 Chromebooks, tablets, and laptops.

Please review this manual before installing your equipment to learn how to safely use your cart.

AC input: 120V AC 60 Hz
Max amps: 12A
Max wattage: 1875W



205 Westwood Ave, Long Branch, NJ 07740
Phone: 866-94 BOARDS (26273) / (732)-222-1511
Fax: (732)-222-7088 | E-mail: sales@touchboards.com

IDENTIFYING COMPONENTS



Front of Cart (closed)

1. Push Handle
2. Door Lock Latch w/Padlock Flange
3. Power Cord w/ Wrap Brackets
4. 4" Swivel / Lock Casters (2)
5. 4" Swivel / Directional Casters (2)



Front of Cart (open)

6. Device Cord Pass-Thru
7. Door Hinges
8. Door Lock Latch
9. Removable Dividers



Back of Cart (open)

10. External Illuminated LED Power Button
11. Air Flow Vents
12. AC Adapter Baskets
13. Power Outlet Strips
14. In-line GFCI Circuit
15. Cycle Timer (AC-PLUS only)
15. INTELLI-SENSE Smart Charger (AC-PLUS-T, AC-45 only)

Specifications subject to change without notice



WARNING

THIS IS NOT A TOY. ALWAYS FOLLOW SAFETY PRECAUTIONS.

ONLY ADULTS should move the cart.



DO NOT allow children to move or climb.



DO NOT ride or run with the cart.



DO NOT attempt to move downstairs.



DO NOT place liquids on or near the cart.



WARNING

ALWAYS FOLLOW SAFETY PRECAUTIONS.

- **THIS IS NOT A TOY. CHILDREN SHOULD NEVER MOVE OR CLIMB THE CART!**
- **ONLY ADULTS** should move the cart.
- **NEVER** climb, sit on or tilt the cart.
- **ALWAYS** move the cart slowly and be aware of your surroundings.
- **ALWAYS** latch doors before moving the cart.
- **DO NOT** use the power cord to pull the cart.
- **DO NOT** roll the cart over the power cord.
- **DO NOT** touch any part of the electrical system while plugged in.
- **DO NOT** place liquids on or near the cart.
- **DO NOT** use an extension cord with this unit.
- **DO NOT** plug in the cart if the switch, receptacles, or power cord are broken, cracked, torn or inadequately repaired.
- Repairs should always be performed by a qualified electrician.
- Set the power switch to the OFF position before you unplug the unit from the wall, plug the unit into the wall, or plug in devices.
- If external devices are set on top of the cart, remove them before rolling cart around.

Model:

Serial Number:

Charging System:

Date Of Purchase:

Reseller Name:

Customer ID:

SETTING UP YOUR DEVICES UP FRONT

Device slots come set at around 1" wide and are removable to fit larger device width.

1. Using a ruler, measure the thickest part of your device. If it is less than 1" thick, skip to next page.



2. If your device is thicker than 1", locate & remove thumbscrew by turning counter clockwise.



3. Slide Retaining Strip forward & out of the way. Strip can be removed if needed.



4. Pulling forward, then up, remove divider panel.



5. Adjust spacing as needed.



6. Slide retaining metal strip into place & replace thumbscrew.



Specifications subject to change without notice

SETTING UP YOUR DEVICES IN BACK

1. Remove basket by pulling forward first, then pull upward.



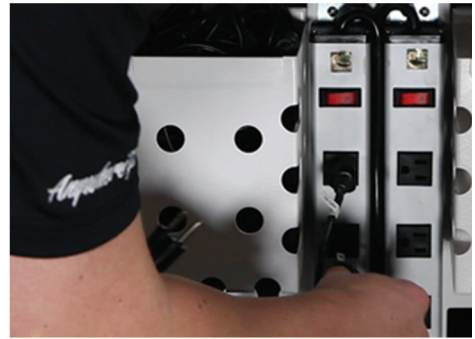
2. If your device uses “wall wart” style adapters, plug into outlets then skip to step 5.



3. If your device power adapters are “brick” style, feed power cables thru holes.



4. Hook basket(s) back in place & plug power cables into outlets.



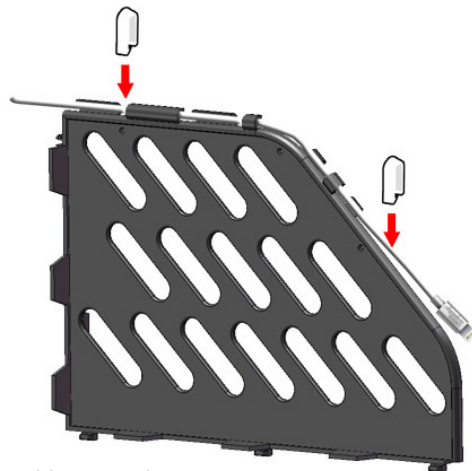
5. Feed device cables into pass-thru slots to front of cart.



6. Working up front, weave device cables into divider tabs.



7. Use the supplied Cable Clips to fasten each cable to the divider by pressing down firmly, securing the cable in place.



Specifications subject to change without notice



AC-PLUS 15 MINUTE CYCLE TIMER

The AC-PLUS is equipped with a 15 Minute Cycle Timer Charging System. Its designed to simplify charging your devices without complicated mode settings or adjustments.



Within 5 seconds of plugging in your cart's power cord, the 15 Minute Cycle Timer on the AC-PLUS will charge half of the devices in your cart at once. It will begin to charge devices which are plugged into power strips on the "A" circuit. Then, after 15 minutes, devices which are on the "B" circuit will charge. This continuous cycle will remain in operation until your cart's External Illuminated LED Power Button is pressed and no longer illuminates.

- | | |
|--------------------------|----------------------------------|
| 1. Power Cord Inlet | 5. Cycle Outlets "A" |
| 2. Internal Power Button | 6. Cycle Outlets "B" |
| 3. LED Indicators | 7. Auxiliary Outlets (Always ON) |
| 4. External Switch Cable | |



INTELLI-SENSE

AC-PLUS-T & AC-45 SMART CHARGING SYSTEM

The AC-PLUS-T and AC-45 are equipped with the INTELLI-SENSE Smart Charging System. Its designed to more efficiently charge your devices while also creating a plug and play environment.



Within 5 seconds of plugging in your cart's power cord, your INTELLI-SENSE Smart Charging System will initiate an test of your devices charging level requirements. Devices which are plugged into power strips that draw the most power will take priority and can take up to 2 hours before switching to the next set of outlets. Once devices are fully charged, the system will remain in a trickle charging state, maintaining your devices battery levels.

- | | |
|--------------------------|----------------------------------|
| 1. Power Cord Inlet | 6. Cycle Outlets "A" |
| 2. Internal Power Button | 7. Cycle Outlets "B" |
| 3. Mode Selection Switch | 8. Auxiliary Outlets (Always ON) |
| 4. External Switch Cable | |
| 5. LED Indicators | |

If you prefer, a 30 Minute Cycle Mode is available by switching the Mode Selection Switch to the LEFT. This will start to charge devices which are on the "A" circuit. After 30 minutes, devices which are on the "B" circuit will charge. This continuous cycle will remain in operation until your cart's External Illuminated LED Power Button is pressed and no longer illuminates.

Specifications subject to change without notice

ELECTRICAL TROUBLESHOOTING

Cart won't turn on:

1) With your cart plugged in, open the rear panel door. Locate the GFCI Unit and press the Yellow Button (Test). Then press the Red Button (Reset). Allow 5 seconds for the Charging System to reset.

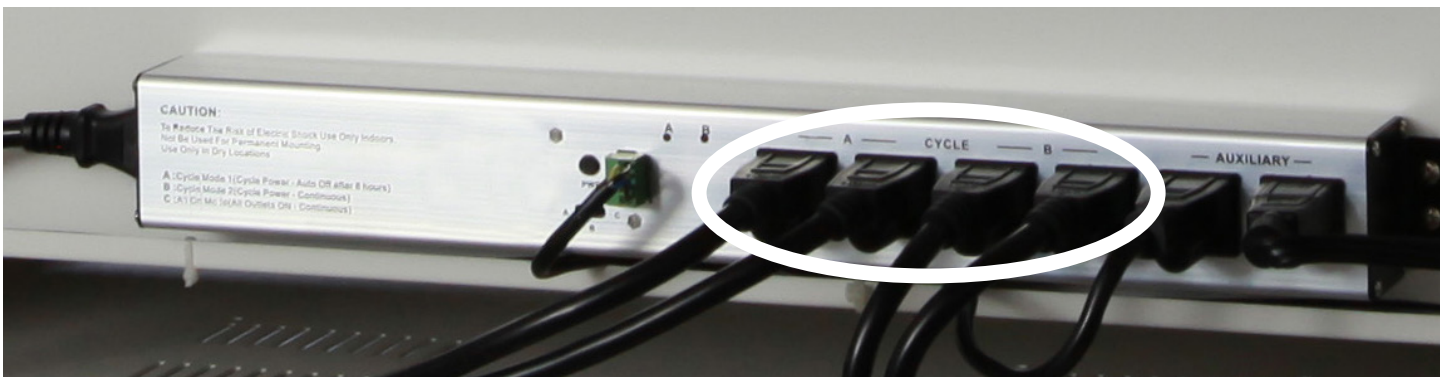


2) With your cart unplugged, open the rear panel door. Locate the GFCI Unit and remove the power cord from both ends. Then plug power inlet cord directly into the charging system, bypassing the GFCI Unit.



Timer is operational but devices are not charging:

1) With the cart UNPLUGGED from the wall, open the rear panel door. Check power strip cords going INTO the timer are securely plugged in.



2) Verify all 4 power strips inside cart are not in the OFF position.



Specifications subject to change without notice

© 2017 Anywhere Cart | 42400 Winchester Rd Temecula, CA 92590 | 888-650-4488 | www.AnywhereCart.com

LIMITED WARRANTY

1. The terms below shall have the following definitions for purposes of this Warranty:

"Client" means the original party purchasing the Products from Anywhere Cart or from an authorized dealer to sell Anywhere Cart branded products.

"Components" mean the mechanical components of a Product including the wheels, locks, drawer slides and hinges.

"Electronics" mean the electronic timer, Sync station and power strips. Cords and switches are not warrantied.

"Frame" means the main frame or chassis of a Product.

"Products" means any goods and any related services to be supplied by Anywhere Cart to the Client pursuant to the Acceptance of an Order and any other goods or services which Anywhere Cart supplies to the Client from time to time.

Anywhere Cart warrants that the Products to be supplied to Client are free from defects in material and workmanship under normal use and service for which they were intended if, but only if, the Products have been properly installed and operated. Anywhere Cart's obligation under this Warranty is limited to only supplying replacement part(s) for any part(s) which are returned and found to be defective, provided that such part(s) are returned to Anywhere Cart within the following Warranty Period:

- a. With regard to the Frame, the Warranty Period shall be for the life of the Product to Client.
- b. With regard to Components, the Warranty Period shall be for a period of two (2) years from the date of delivery of the Product to Client.
- c. With regard to Electronics, the Warranty Period shall be for a period of two (2) years from the date of delivery of the Product to Client.

Except as prohibited or limited by applicable law, Anywhere Cart does not warrant that the Products meet the requirements of any safety code of any country, state, municipality, or other jurisdiction, and Client assumes all risk and liability whatsoever resulting from the use thereof, whether used singly or in combination with other machines or apparatus. This Warranty shall not apply to any of Anywhere Cart's Products, or parts thereof, which have been repaired or altered, without Anywhere Cart's written consent, outside Anywhere Cart's facility or altered in any way so as, in the sole judgment of Anywhere Cart, to adversely affect the stability or reliability of the Products, or if such Products have been subject to misuse, negligence, or accident, or have been operated in a manner not in accordance with Anywhere Cart's printed instructions or have been operated under conditions more severe than, or otherwise exceeding, those set forth in the specifications for such Products.

EXCEPT AS PROHIBITED OR LIMITED BY APPLICABLE LAW, THIS WARRANTY AND THE OBLIGATIONS AND LIABILITIES OF Anywhere Cart ARE EXCLUSIVE AND IN LIEU OF WARRANTIES, GUARANTIES OR LIABILITIES, EXPRESS OR IMPLIED, INCLUDING ANY IMPLIED WARRANTY FOR MERCHANTABILITY, FITNESS FOR A PARTICULAR PURPOSE, ARISING BY LAW OR OTHERWISE OR WHETHER OR NOT OCCASIONED BY Anywhere Cart's NEGLIGENCE AND CLIENT HEREBY WAIVES ALL REMEDIES NOT EXPRESSLY PROVIDED IN THIS WARRANTY. THIS WARRANTY SHALL NOT BE EXTENDED, ALTERED OR VARIED EXCEPT BY A WRITTEN INSTRUMENT SIGNED BY Anywhere Cart AND CLIENT. REGARDLESS OF THE FAILURE OF THE SOLE AND EXCLUSIVE REMEDIES PROVIDED IN THIS WARRANTY, Anywhere Cart WILL NOT BE LIABLE FOR ANY SPECIAL, INCIDENTAL, INDIRECT OR CONSEQUENTIAL DAMAGES WHATSOEVER (INCLUDING, WITHOUT LIMITATION, DAMAGES FOR LOSS OF REVENUE, BUSINESS OR PROFITS, LOSS RESULTING FROM BUSINESS INTERRUPTION, LOSS OF BUSINESS INFORMATION, LOSS RESULTING FROM ANY CLAIM BY ANY THIRD PARTY, ANY LOSS DUE TO DAMAGE TO PROPERTY, AND INJURY TO OR DEATH OF ANY PERSONS RESULTING, DIRECTLY OR INDIRECTLY, FROM THE USE OR LOSS OF THE PRODUCTS OR ANY OTHER PECUNIARY LOSS) OF ANY KIND OR NATURE. Anywhere Cart NEITHER ASSUMES NOR AUTHORIZES ANY PERSON TO ASSUME FOR IT ANY OTHER LIABILITY IN CONNECTION WITH THE SALE OR USE OF THE PRODUCTS, AND THERE ARE NO ORAL AGREEMENTS OR WARRANTIES COLLATERAL TO OR AFFECTING THIS WARRANTY. THE EXCLUSION OF SPECIAL, INCIDENTAL, INDIRECT OR CONSEQUENTIAL DAMAGES IS AN INDEPENDENT AGREEMENT OF Anywhere Cart AND CLIENT APART FROM THE SOLE AND EXCLUSIVE REMEDIES PROVIDED IN THIS WARRANTY.

Client shall notify Anywhere Cart by registered or certified mail, return receipt requested, of a breach of this Warranty within thirty (30) days after discovery thereof, but not later than the expiration of the applicable Warranty Period, otherwise such claims shall be deemed waived.

2. Limitations of Warranty.

Anywhere Cart makes no warranties to any third party. You are responsible for all claims, damages, settlements, expenses, and attorneys' fees with respect to claims made against You as a result of Your use or misuse of the Product. This warranty applies only if the Product is installed, operated, maintained, and used in accordance with Anywhere Cart specifications. Specifically, the warranties do not extend to any failure caused by (i) accident, unusual physical, electrical, or electromagnetic stress, neglect or misuse, (ii) fluctuations in electrical power beyond Anywhere Cart specifications, (iii) use of the Product with any accessories or options not furnished by Anywhere Cart or its authorized agents, or (iv) installation, alteration, or repair of the Product by anyone other than Anywhere Cart or its authorized agents.

3. Disclaimer of Warranty.

Except As Expressly Provided Otherwise Herein And To The Maximum Extent Permitted By Applicable Law, Anywhere Cart Disclaims All Other Warranties With Respect To The Product, Whether Express, Implied, Statutory Or Otherwise, Including Without Limitation, Satisfactory Quality, Course Of Dealing, Trade Usage Or Practice Or The Implied Warranties Of Merchantability, Fitness For A Particular Purpose Or Noninfringement Of Third Party Rights.

4. Limitation of Liability.

In no event shall Anywhere Cart be liable for indirect, incidental, special, exemplary, punitive, or consequential damages of any nature including, but not limited to, loss of profits, data, revenue, production, or use, business interruption, or procurement of substitute goods or services arising out of or in connection with this limited warranty, or the use or performance of any product, whether based on contract or tort, including negligence, or any other legal theory, even if Anywhere Cart has advised of the possibility of such damages. Anywhere Cart's total, aggregate liability for damages of any nature, regardless of form of action, shall in no event exceed the amount paid by you to Anywhere Cart for the specific product upon which liability is based.

5. Governing Law and Your Rights.

This warranty gives You specific legal rights; You may also have other rights granted under state law. These rights vary from state to state.

6. Warranty Period for Anywhere Cart Product Purchased:

AC-PLUS, AC-PLUS-T, AC-45	Lifetime Frame, 2 Years Components, 2 Year Electronics
---------------------------	--

Specifications subject to change without notice

© 2017 Anywhere Cart | 42400 Winchester Rd Temecula, CA 92590 | 888-650-4488 | www.AnywhereCart.com