

OmegaZen™

Pipette Controller

Operator's Manual



En ligne; Manuel de l'opérateur
Online; Bedienungshandbuch
En línea; Manual del operador
In linea; Manuale d'uso
線上; オペレーターマニュアル
www.argos-tech.com

ARGOS
TECHNOLOGIES

CE RoHS







Table of Contents

Product Description3
Package Contents3
Product Overview4
Materials and Specifications5
Getting Started5
Using the Pipette Controller6
Maintenance and Safety Precautions7
Troubleshooting8
Product and Parts Ordering Information8
Warranty Information9

Product Description

Thank you for your recent purchase of the Argos Technologies® Omega Zen pipette controller. The Omega Zen pipette controller is a portable, lightweight and ergonomic unit for use with plastic or glass pipettes from 1 to 100 mL. Its balanced design and contoured buttons help prevent hand fatigue even after hours of use. In addition, the speed and battery displays make pipetting easy!

Note: Please be sure to read the safety and operating instructions before use. Also, when performing the pipetting function, observe all laboratory safety guidelines including the use of protective clothing, safety goggles and gloves when handling biological samples or chemicals.

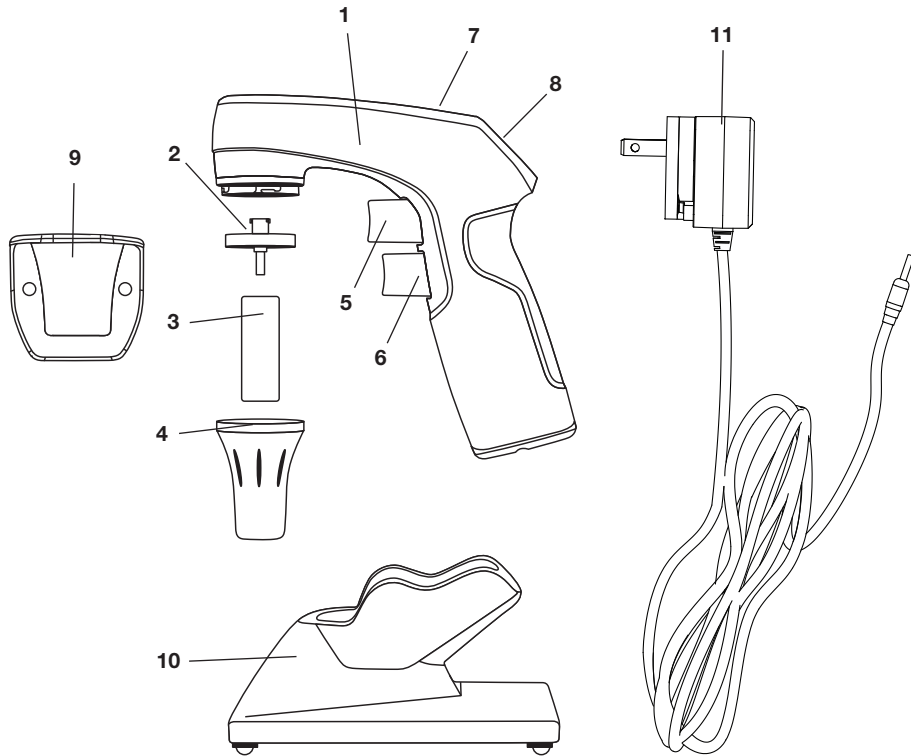
CAUTION: Never mouth pipette!

Package Contents

Carefully unpack the contents from shipping package. If any parts are missing or damaged, please contact Argos Technologies immediately for resolution (see page 10 for contact information).

- **Omega Zen pipette controller**
- **Universal power supply**
- **Wall mount**
- **Charging desk stand**
- **Instruction manual**
- **Extra filter (sterile): 0.45 µm PTFE**

Product Overview



- 1. Pipette controller
- 2. Filter
- 3. Pipette adapter
- 4. Nosepiece

- 5. Aspirate trigger
- 6. Dispense trigger
- 7. LCD
- 8. Thumbwheel

- 9. Wall mount
- 10. Desk stand
- 11. Power supply

Materials and Specifications

Housing	UV-resistant resin
Nosepiece	UV-resistant resin
Pipette holder	Silicone
Filter	Standard, hydrophobic membrane filter, 0.45 µm
Dimensions	1.5" W x 5.9" D x 5.9" H (3.81 cm x 14.98 cm x 14.98 cm)
Weight	0.45 lb (206 g)
Power supply	Input voltage: 100–240 VAC, 50/60 Hz, 0.3 A; Output voltage: 5 VDC, 500 mA Center positive DC connector
Unit: Input voltage	5 VDC, 500 mA Center positive DC connector
Battery	Lithium-ion battery 3.7 V / 2800 mAh
Battery charging time (if fully discharged)	~6 Hours
Battery life	~9 Hours continuous use at full speed

Operating Conditions

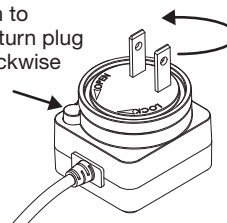
Operating temperature	+10°C to +40°C
Relative humidity	10% to 85% (no condensation)
Power supply	Fluctuation not to exceed 10%

Getting Started

Charging the Pipette Controller

Before using the pipette controller for the first time, attach proper plug into the power supply unit and rotate clockwise to lock. Release by pushing on the button as indicated, and turn plug counter-clockwise. Plug the power supply into a standard electrical source.

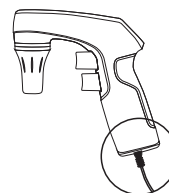
Push button to unlock and turn plug counter-clockwise



Gently insert the power jack into the power supply charging socket located in the base of the pipettor. Note: Using excessive force may damage the pipettor.

Allow the battery to charge for 6 hours before using your pipette controller for the first time.

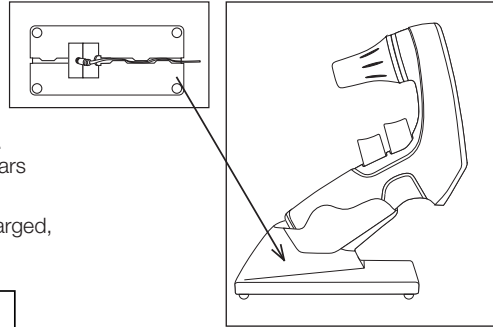
CAUTION: Ensure that you are using the original power supply supplied with the Omega Zen pipette controller. This power supply must not be used for any other electrical equipment other than the Omega Zen pipette controller.



You can also charge the pipette controller by using the charging desk stand. Simply plug the desk stand into an electrical outlet, then place the controller in stand.

When the controller is properly seated, the battery icon will indicate the charging status. The battery display shows between 1 to 6 bars in sequence from empty to full.

Once the pipette controller is completely charged, the battery icon shows as full (solid bars).



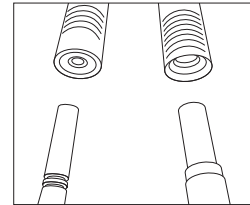
Using the Pipette Controller

1. Inserting the Pipette

Your Omega Zen pipette controller accommodates pipette capacities from 1 mL to 100 mL. The controller comes assembled with the adapter set to accept larger pipettes (>2 mL).

For pipettes ≤ 2 mL, remove the nosepiece. Flip position of pipette adapter so the small hole faces down toward pipette. Reattach nosepiece.

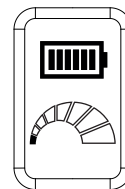
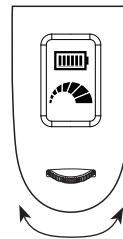
Once the adapter is set for your desired pipette size, carefully insert the pipette into the nosepiece, providing a secure fit.



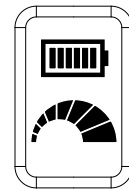
2. Setting the Flow Rate

Adjust the max speed by turning the thumbwheel until desired speed on display is reached.

When pressing either trigger, the speedometer reflects the speed up to the set thumbwheel position.



Left position
Low

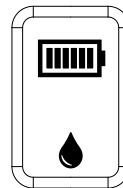


Right position
High

For Gravity (drop) Mode

Set thumbwheel all the way to the left: speedometer disappears and drop icon flashes 3 times.

Press the Dispense (bottom) trigger slightly to control speed of drops (no motor). Aspirate is on low motor speed.



3. Filling and Dispensing

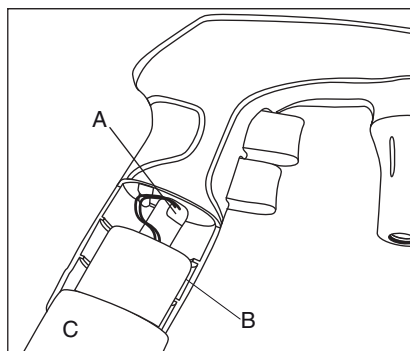
To fill the pipette, press the Aspirate (top) trigger. The unit will aspirate according to the speed set with the thumbwheel setting.

To discharge the fluid from the pipette, press the Dispense (bottom) trigger. The unit will dispense according to the speed set with the thumbwheel setting.

Maintenance and Safety Precautions

Replacing the Battery

1. Disconnect the power supply from the unit.
2. Press down on top of battery cover (C) and slide down to remove from unit.
3. Gently pull the battery pack (B) out of the pipette controller until you can access the cable connection mounted on the PCB board.
4. Carefully remove the battery connector (A) from the PCB board.
5. Take the replacement battery and line up front of connector. Carefully reconnect the cable connection to the PCB board. **DO NOT FORCE:** The connector only works one way. There should be a slight “click” when the cable connection is inserted properly.
6. Insert new battery pack into pipette controller with wires and position between battery pack and housing wall.
7. Reattach battery cover.
8. Charge battery for 6 hours before use.
9. It's imperative to dispose of used battery promptly and in accordance with local disposal regulations. Keep away from children. Do not disassemble the battery or dispose of in fire.



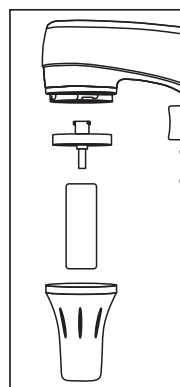
Replacing the Filter

Gently push nosepiece up and turn counter-clockwise until it is separated from the pipette controller. Remove the filter from the silicone pipette holder. Dispose of the filter and replace with a fresh one.

The filter should be replaced every three months or when the filter is contaminated by liquid or the suction capacity is slowed.

Note: Only use Omega Zen replacement filters to guarantee a proper seal.

CAUTION: Never operate the Omega Zen pipette controller without a filter.



Cleaning

The Omega Zen pipette controller can be cleaned with most common laboratory disinfectants including isopropanol. Never use aggressive organic solvents.

The nosepiece can be autoclaved at 121°C, with the exception of the filter. Follow the procedure under “Replacing the Filter” to remove the filter prior to sterilization. No other portions of the controller are autoclavable.

WARNING!!

- Before cleaning, disconnect the pipette controller from the power supply. Never clean the power supply or immerse the unit in water.
- Never use with highly flammable or corrosive liquids.
- Never use or recharge in an explosive atmosphere.
- Ensure the current of your electrical source matches the voltage of the charger unit. Only use the power supply supplied with the unit.
- When changing the filter, wear protective gloves to prevent accidental contamination.
- Do not open the pipette controller housing as it will void the warranty.
- Never operate the Omega Zen pipette controller without a filter.

Troubleshooting

Problem	Possible Cause	Remedy
Slow aspiration	Filter blocked	Replace filter
Slow aspiration	Battery low	Recharge battery
Pipette drips	Pipette not secure in holder	Re-insert pipette into unit
Pipette drips	Pipette adapter damaged or worn	Replace pipette adapter

Note: There are no user-serviceable parts inside of the unit.

Product and Parts Ordering Information

Part No.	Description
25300-96	Omega Zen pipette controller, blue
25300-97	Omega Zen pipette controller, purple
25300-98	Omega Zen pipette controller, steel gray
25303-34	Charging desk stand for Omega Zen pipette controller
25303-35	Standard wall mount for Omega Zen pipette controller
25303-36	Magnetic wall mount for Omega Zen pipette controller
25303-37	Filters (0.2 µm), sterile, 10/pk
25303-38	Filters (0.2 µm), non-sterile, 10/pk
25303-39	Filters (0.45 µm), sterile, 10/pk
25303-51	Filters (0.45 µm), non-sterile, 10/pk
25303-52	Power supply
25303-53	Lithium-ion battery
25303-54	Nosepiece for Omega Zen pipette controller
25303-55	Pipette adapter

Warranty Information

Argos Technologies Omega Zen Pipette Controller is warranted to be free of defects in materials and workmanship for a period of 12 months from the date of purchase, providing:

- The unit has not been opened or attempted to be opened by the end user
- The user ensures that it has been carefully cleaned and decontaminated
- The unit has been operated according to the instructions and not in any improper way.

Should warranty service be required, repair or replacement will be provided by Argos Technologies without charge. Freight shipping the unit to Argos Technologies will be the responsibility of the purchaser. There are no other warranties or guarantees, implied or otherwise expressed including any warranties of application or merchantability.

Repair Service

Should your Omega Zen Pipette Controller require service or repair, please contact Argos Technologies' Customer Service department. They will issue a Return Authorization (RA) Number and advise on the proper packaging and method of shipment. Be sure to list your RA number on the shipping label.

Environmental Protection / WEEE Directive

This equipment is labeled with the crossed-out, wheeled-bin symbol to indicate that the equipment must not be disposed of with unsorted waste. It is your responsibility to correctly dispose of the equipment by handing it over to an authorized facility for separate collection and recycling. It is also your responsibility to decontaminate the equipment in case of biological, chemical or radioactive contamination in order to protect the persons involved in the disposal or recycling of products from health hazards.



For more information about where you can drop off your waste equipment, please contact your local dealer from whom you originally purchased the product.

By doing so, you will help to conserve our natural resources and you will ensure that your waste products are recycled in a manner that protects human health and protects the environment.

Declaration of Conformity

We certify that this equipment meets the essential requirements of the directives and has been tested according to the specified test methods. A full copy of the Declaration of Conformity document may be obtained from our website.



Argos Technologies
625 E Bunker Court
Vernon Hills, IL 60061
Toll-free: 1-800-886-8675
International: 1-847-622-0456
customer-service@argos-tech.com
www.argos-tech.com

Made in China
©2017 Argos Technologies, Inc.

1065AR1_M4_MAN





Manufacturing Solutions for Science

