



Call Us 1.877.571.7901

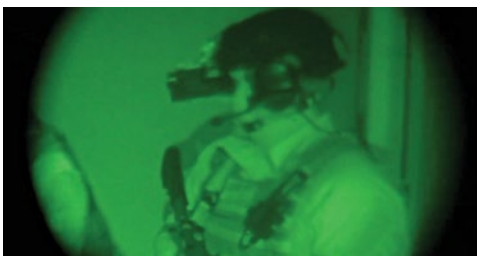
NIGHT VISION BINOCULARS

ARMASIGHT by FLIR BNVD-40®



The Armasight by FLIR BNVD is a dual-channel night vision system. With a 40° field of view (FOV), it provides a large visual field without needing to move the binoculars. The BNVD uses advanced multi-coated optics and is built to last with a compact composite housing. Operating from a single AA alkaline battery or CR123A battery, the BNVD can run up to 20 hours. Also equipped with an integral infrared illuminator for reading in the dark.

www.flir.com/ots



EXCEPTIONAL VISION

True stereoscopic vision and built-in infrared illuminator

- Dual tube design provides increased depth perception and outstanding clarity.
- Built-in IR illuminator enhances night vision and allows for reading in the dark.



COMPACT AND RUGGED

Perfect balance of size and performance

- Built with a tough, ergonomic composite housing that is water and fog resistant.
- Needing only a single AA battery or one CR123 battery for convenient operation, can run up to 20 hours. An optional battery pack mounted behind the helmet extends the use up to 80 hours.



FLEXIBLE MOUNTING OPTIONS

Packed with features for a versatile and customizable viewing experience

- For hands-free operation, the BNVD includes head and helmet mounting options, it can be used as binoculars, as a monocular, goggles or stowed out of the way.
- Operated by a single gain control knob, the BNVD utilizes features like a flip-up-turn-off, and a flip-down-turn-back-on option when mounted to a helmet.

SPECIFICATIONS

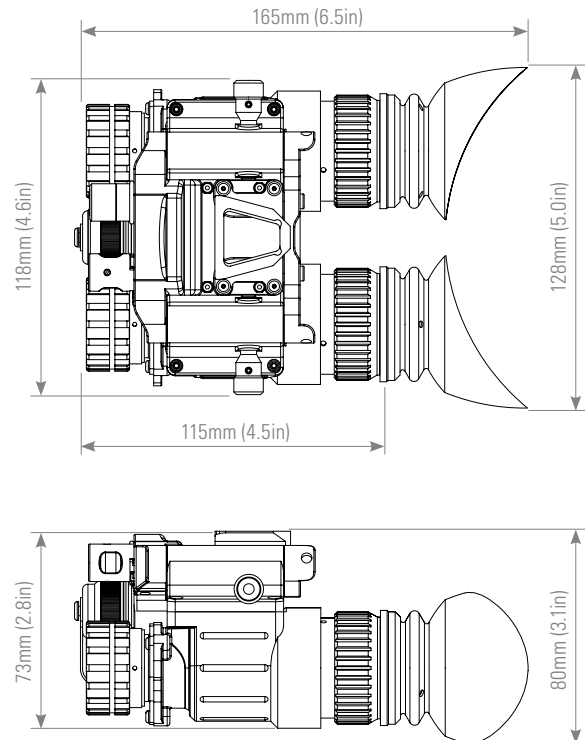
General	
Image intensifier tube	Gen 2+ or Gen 3
Magnification	1x (3x)
Lens system	27 mm; F/1.3
FOV	40°
Focus range	0.25m to Infinity
Eye Relief	25 mm
Diopter adjustment	-6 to +2 dpt
User Interface	
Operation switch	Power ON/ OFF; IR illuminator ON/ OFF
Gain control knob	Adjust the image brightness
Diopter adjustment rings	Adjusts the eyepiece diopter
Focus rings	Adjusts the objective lens focus
LED indicators	Indicates low battery, IR On, and excessive light conditions
Features	
Manual gain control	Yes
Bright light cut-Off	Yes
Automatic shut-off system	Yes
Low battery indicator	Yes
Infrared illuminator	Yes
Power	
Battery Type	One CR123A (3V) or AA (1.5 V)
Battery Life (Operating)	Up to 20 hours (up to 80 hrs with optional Battery Pack) at 20°C
Environmental	
Operating Temperature Range	-40°C to +50°C (-40°F to +122°F)
Storage Temperature Range	-50°C to +50°C (-58°F to +122°F)
Physical	
Weight	645 g (1.42 lbs)
Size	115 × 118 × 73 mm (4.5 × 4.6 × 2.8 in)
Color (housing)	Black
Country of Origin	USA

Package Includes

Night Vision Binoculars, NVG Interface Shoe (preinstalled), Bayonet/Horn Interface Shoe Battery, Sacrificial Window (2), Demist Shield (2), Lens Cloth, Soft Carrying Case

Optional Accessories

ANAF3X0215 - 3x Afocal Lens Kit (includes 2 lenses)
 ATAM000206 - Battery Pack #206 (Includes: Battery Pack Bracket #231, Nylon Bag)
 ATAMNYX15M - Battery Pack Kit (Includes: Battery Pack #206 w/ Battery Pack Bracket #231 and Nylon Bag, NVG Interface Shoe with Connector #212, Battery Locking Plate Adapter #213)
 ANAM000213 - Battery Locking Plate Adapter #213
 ANAM000212 - NVG Interface Shoe with Connector #212
 ANHGNX205 - Goggle Kit for BNVD (Includes: Goggle Kit #205, Adapter #224)
 ANHGWXNYX0 - Tactical Goggle Kit for BNVD (Includes: Wilcox L4 G24 w/ Low Profile Breakaway mount, Wilcox 3 Hole Shroud, Wilcox Lanyard, Crye Precision Head Cap)
 ANHMNYX15M - Helmet Mount Kit for BNVD (Includes: Helmet Mount #3, Adapter #224)
 ANHC000001 - Hard Shipping/ Storage Case #101



Specifications are subject to change without notice.
 For the most up-to-date specs, go to www.flir.com

FLIR OUTDOOR & TACTICAL SYSTEMS

815 Dubuque Avenue,
 South San Francisco,
 CA 94080

Phone: 1-888-959-2259
 or (650) 492-7755
 Fax: 1-888-959-2260

International Phone/Fax:
 (650) 492-7755

US Commercial Sales

OTS-Sales@flir.com

Government Sales

OTS-Gov@flir.com

International Sales and Export

OTS-Export@flir.com

Technical Support, Repairs, Returns, Refunds & Warranty

OTS-Support@flir.com

www.flir.com/ots
 NASDAQ: FLIR

Equipment described herein is subject to US export regulations and may require a license prior to export. Diversion contrary to US law is prohibited. Imagery for illustration purposes only. Specifications are subject to change without notice. ©2017 FLIR Systems, Inc. All rights reserved.

Rev.1 - 01/05/18



The World's Sixth Sense™