

Type 1290 Direct Drive Process Pressure Gauge



FEATURES

- *Inconel X-750 Sensing Element*
- *Simple Gearless Movement*
- *Selection of Measurement Units (psig and dual scale, kg/cm²/psi)*
- *Optional NIST Traceable Calibration Chart*

APPLICATIONS

Ideal for applications where shock and vibration are present

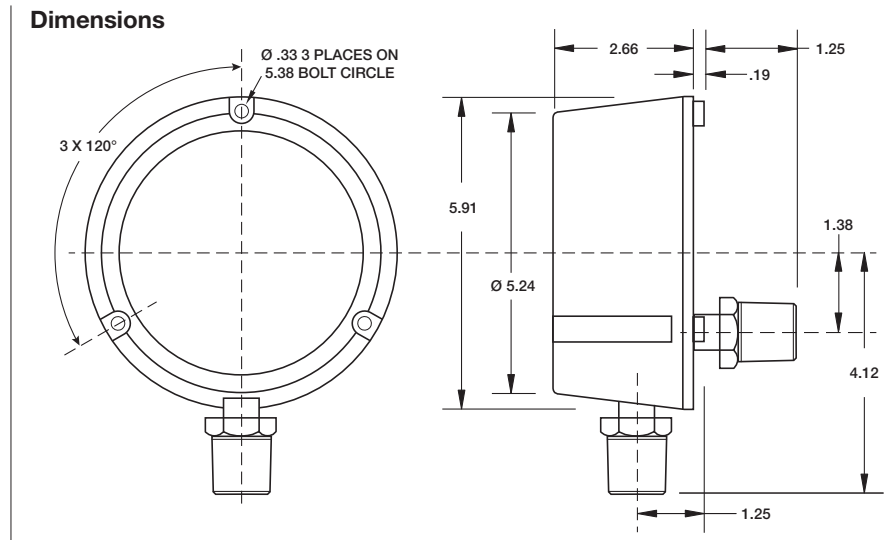
PRODUCT SPECIFICATIONS

Model Number: 1290
Accuracy: ½% full scale (Grade 2A, ASME B40.100)
Ranges: 15psi to 2000psi
Dial Size: 4½" diameter
Case Material: ABS Thermoplastic
Window: Acrylic
Dial: White-coated SS
Pointer: Aluminum
Sensing Element: Inconel X-750
Bourdon Tube: Inconel X-750, 304SS capillary
Socket Material: 316L SS
Conn. Size: ¼", ½" NPT
Conn. Location: Lower or back

OPTIONS

- **Calibration Chart** (C4)
- **Wired St. St. Tag** (NH)
- **Regular Glass** (RG)
- **Front Flange** (FF)
(back connect only)

Type 1290 Direct Drive Process Pressure Gauge



Order Coding Example

45	1290	(WD)	02	L	C4	15#		
SIZE	TYPE	SENSING ELEMENT	CONN. SIZE	CONN. LOCATION)	OPTIONS (X VARIATIONS)	PRESSURE RANGES*		
						PSI	DUAL SCALE	
45 4½	1290 Direct Drive Gauge	(WD) Inconel X750, SS Socket	02 ¼ NPT	(L) Lower	(C4) Calibration Chart	15	(inner)	(outer)
						30	KSC	PSI
						60	2	0/30
						100	7	0/100
						150	11	0/160
						160	14	0/200
			200	21	0/300			
			300	28	0/400			
			400	35	0/500			
			500	42	0/600			
			600	70	0/1000			
			800	105	0/1500			
1000	120	0/2000						
1500								
2000								
					(NH) Wired, SS Tag			
				(B) Back	(RG) Regular Glass			
					(FF) Front Flange*			
					*Back connection only			