

ATE-2 Handheld Calibrator

OPTIONS

Carrying, Transport and Protective Cases:



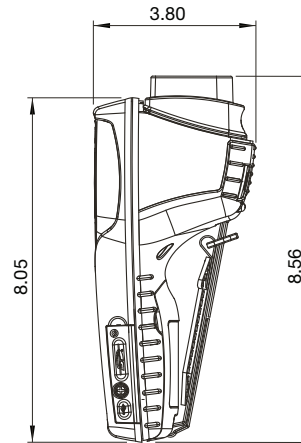
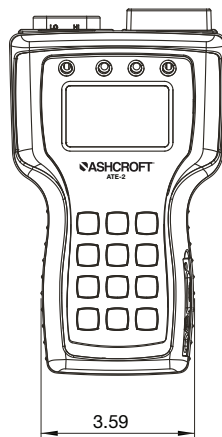
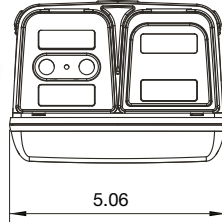
Contoured: Protective Instrument Case with Shoulder Strap. P/N 864D079-01



Heavy Duty, Watertight Instrument Carrying / Transport Case. P/N ATE2-CASE

DIMENSIONS

Base Unit



Carrying Case

