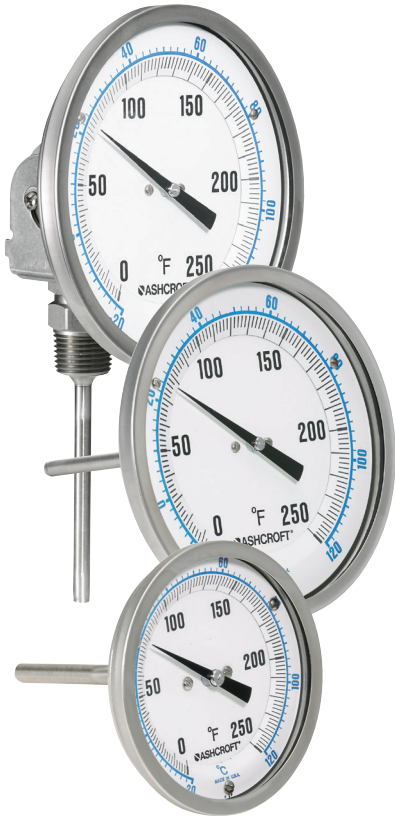


EL Series Bimetal Thermometers



FEATURES

- *Silicone liquid fill*
- *1% full span accuracy ASME B40.200 (ASME B40.3 Grade A)*
- *Maximum ambient temp. is 150°F (65°C)*
- *Hermetically sealed case to prevent entry of moisture, interior corrosion and coil freeze-up.*
- *External adjustment permits zero reset from outside the case.*
- *Maxivision® dial allows readability from any angle without parallax error.*
- *Silicone coil dampening (up to 400°F) provides vibration dampening and improves response time.*
- *All-welded stainless steel construction*
- *Durable polycarbonate window*
- *Protection NEMA 4X/IP66*
- *Five-year limited warranty*



SPECIFICATIONS

- Ashcroft® Series:** EL
- Dial Sizes:** 3", 5"
- Stem Length:** 2½"-36" ⁽¹⁾
- Case & Stem:** 304 stainless steel, hermetically sealed
- Stem Dia:** .250"
- Window:** Durable polycarbonate window
- Dial:** Maxivision®, black figures on white background
- Pointer:** Black
- Connection:** ½ NPT and ½ NPT union and ½ NPT adjustable union
- Connection Location:** Everyangle™, Rear
- Ranges:** -40/160°F-50/550°F
-20/120°C-0/300°C
- Options:**
- | | |
|-------------------------|---|
| Code Description | |
| C4 | Individual calibration cert. |
| XCS | Dual scale |
| XDM | Dial marking |
| XNH | Stainless steel tag |
| XNN | Paper tag |
| X3B | ⅜" stem dia. with ½ NPT |
| X02 | ¼ NPT when ½ NPT is standard ⁽²⁾ |
| XYW | 316 SS housing and stem ⁽³⁾ |

(1) 25"-36" lengths available, consult factory
 (2) Only available on rear connection
 (3) Only available on 5" Everyangle™

Thermowells must be used on all pressure or velocity applications, to protect the stem of thermometer from corrosion and physical damage, and to facilitate removal of the thermometer without disturbing the process. Maximum ambient temperature is 150°F (65°C).

HOW TO ORDER

	30	EL	60	R	040	0/250°F	XNH
Dial Size: 3" Code 30	_____	_____	_____	_____	_____	_____	_____
Case Style: EL	_____	_____	_____	_____	_____	_____	_____
Stem Connection: ½ NPT Code 60	_____	_____	_____	_____	_____	_____	_____
Stem Location: Rear Code R	_____	_____	_____	_____	_____	_____	_____
Stem Length: 4" Code 040	_____	_____	_____	_____	_____	_____	_____
Range: Code 0/250°F	_____	_____	_____	_____	_____	_____	_____
Options: Stainless steel tag	_____	_____	_____	_____	_____	_____	_____

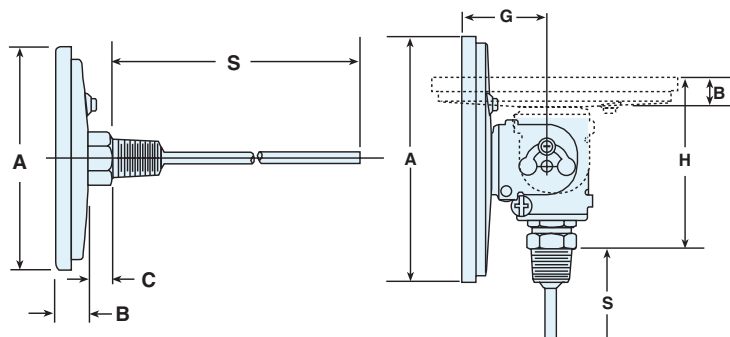
EL Series Bimetal Thermometers

EL Series selection table																			
Case	Size	Style Code	Stem			Stem Lengths Available			Temperature Range										
			Conn.	Code	Location	Code	"S" Length (inches)	Code	°F* Fahrenheit	°/Div.	Fig. Inter.	°C Celsius	°/Div.	Fig. Inter.					
3"	30	EI	1/4 NPT	60	Rear	R	2 1/2	025	-40/160	2	20	-10/110	1	10					
							4		-20/120††			-20/120			2	10			
							040		30/130††			0/50††			1	5			
			5"	50	EI	1/2 NPT Union	42	Everyangle	E	6	060	0/200	2	20	0/100	1	10		
										9		0/250			10/150			2	20
										12		50/300							
			1/2 NPT Adjust. Union	70			15	150											
			1/2 NPT	60	Rear	R	18	180											
			1/2 NPT	60			24	240											

EL Dimensions											
Case Series	Dial Size	Connection Location	A	B	C	G	H	S	NPT	Hex	Weight in ounces ⁽³⁾
											S - 2 1/2"
EL	3"	Rear	2 3/32 (53)	1 9/32 (15)	3/8 (8)	-	-	-(2)	1/2	7/8	7
EL	5"	Rear	5 1/32 (128)	2 3/32 (18)	3/8 (8)	-	-	-(2)	1/2	7/8	16
EL	5"	Everyangle	5 1/16 (128)	2 3/32 (18)	-	1 7/8 (48)	3 21/32 (93)	-(2)	1/2	7/8	25

NOTES:
 1. Figures in parenthesis () are in millimeters. All other dimensions are in inches.
 2. Standard "S" dimensions are 2 1/2, 4, 6, 9, 12, 15, 18 and 24 inches. Standard stem diameter is 1/4 inch.
 3. Add 1 oz. for every 2 inches of stem length.

DIMENSIONS



EL Series dual scale ranges			
Inner		Outer	
-40/160°F	and	-40/70°C	
-20/120°F	and	-30/50°C†	
0/200°F	and	-20/90°C	
0/250°F	and	-20/120°C	
30/130°F	and	0/55°C†	
50/300°F	and	10/150°C	
50/550°F	and	10/290°C	

Overtemperature limits	
Top of Range °F	Maximum Over Temperature
up to 160	100% of span
161/300	300°F
301/550	550°F

*Dual scale ranges available for all standard °F ranges
 Use Ashcroft Duratemp® thermometers for ranges above and below those listed above.
 ††Minimum stem length for Everyangle is 4".