

# Assembly Instructions

FOR SUPER-SCOPE® AND MACROZOOM SERIES



O.C. White Co.

[www.ocwhite.com](http://www.ocwhite.com)

These assembly instructions will help you get up and running quickly. The products covered with these instructions are depicted below. If these instructions do not match your product, or you are unable to find the information you need, please call customer service at (413) 289-1751.

## Super-Scope®

HD INTEGRATED INSPECTION



## MacroZoom

VIDEO INSPECTION SYSTEM



For troubleshooting or to report an issue please contact us at: [info@ocwhite.com](mailto:info@ocwhite.com) or call (413) 289-1751.

# Assembly Instructions

FOR SUPER-SCOPE® AND MACROZOOM SERIES



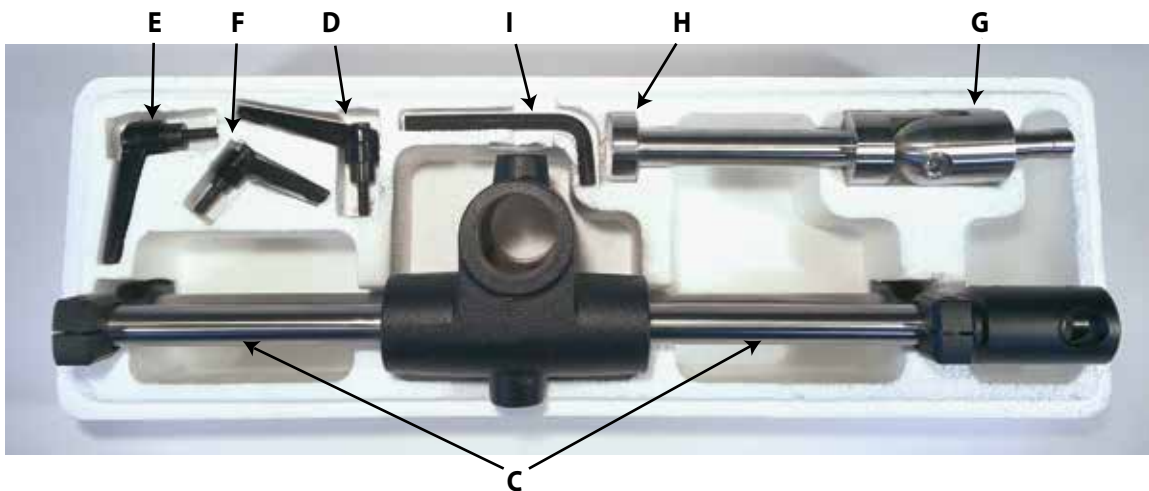
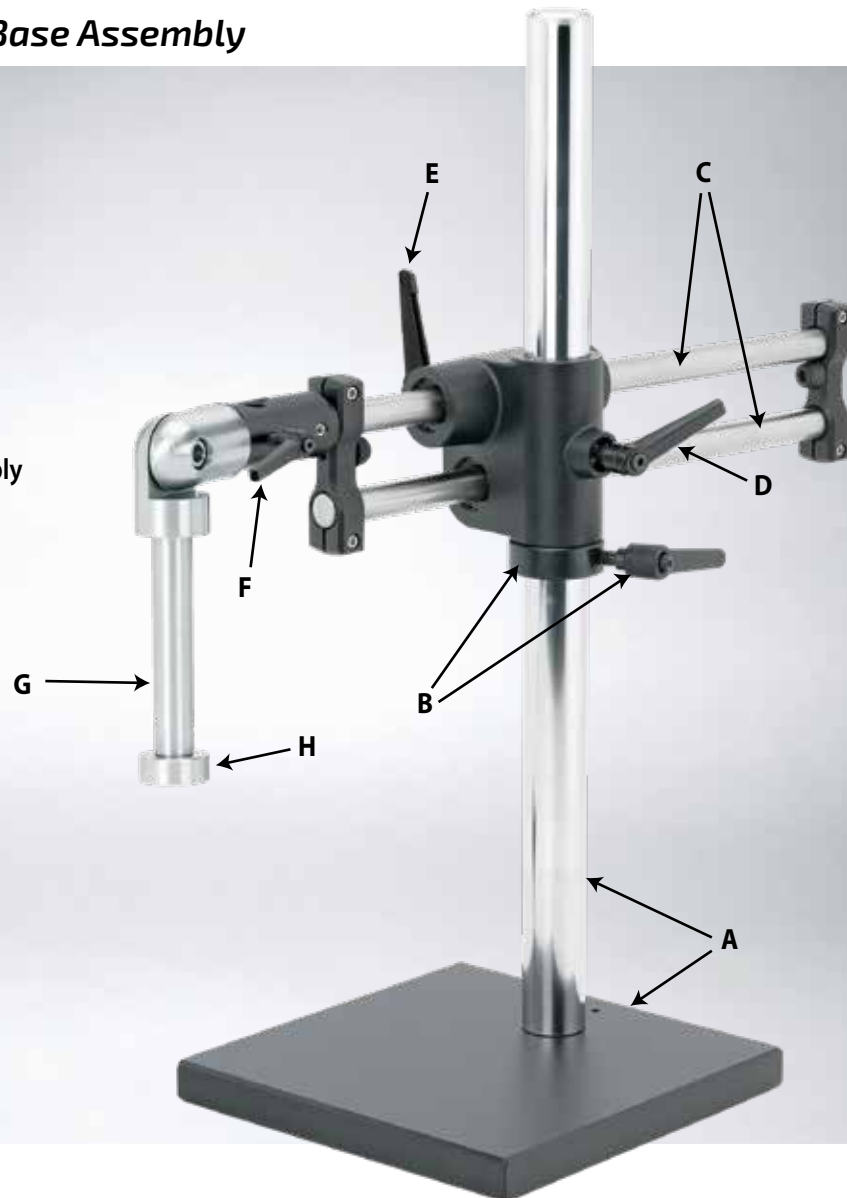
O.C. White Co.

www.ocwhite.com

## O.C. White Ball Bearing Base Assembly

### Parts List

- A) Base & Post Assembly
- B) Safety Collar & Handle
- C) Glide Arm Assembly
- D) Large Handle
- E) Large Handle
- F) Small Handle
- G) 20mm Drop Arm Assembly
- H) Safety Stop
- I) Hex Key - 8mm



For troubleshooting or to report an issue please contact us at: [info@ocwhite.com](mailto:info@ocwhite.com) or call (413) 289-1751.

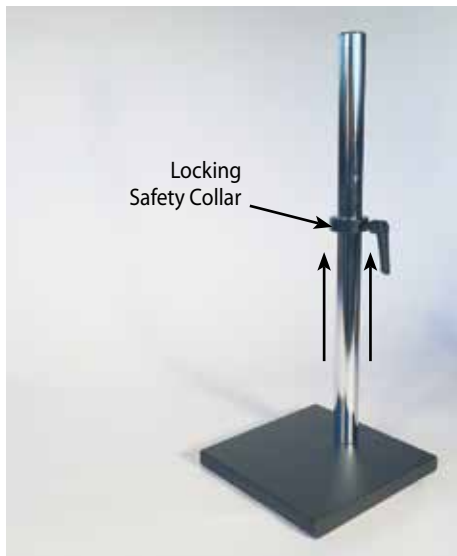
# Assembly Instructions

FOR SUPER-SCOPE® AND MACROZOOM SERIES



O.C. White Co.

www.ocwhite.com



1. Place the base stand on a sturdy level surface and position Safety Collar at approximate working distance. **Tighten lock handle firmly.**



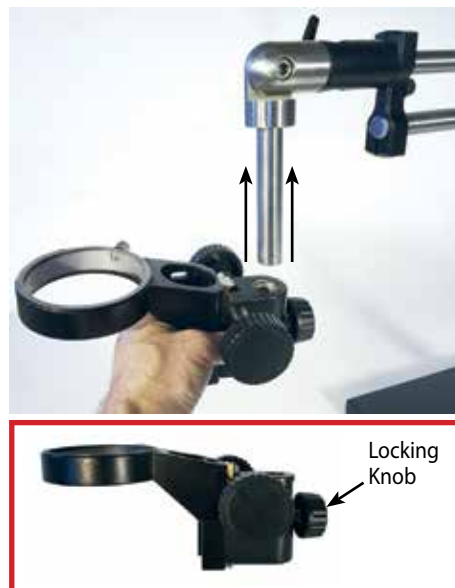
2. Insert Locking Handles into Glide Arm locations shown and screw in several turns. **Do not tighten.**



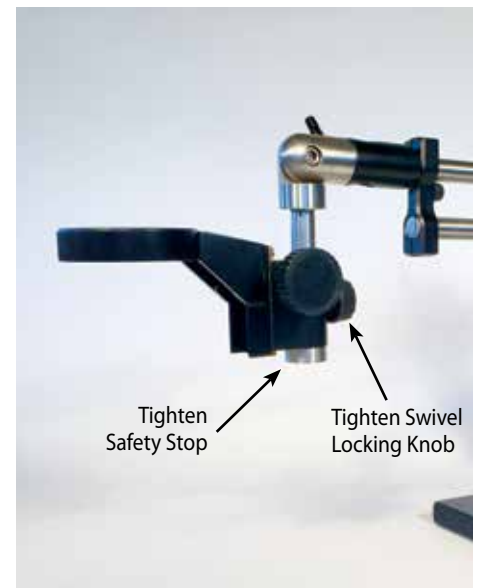
3. Slide Glide Arm down post to Safety Ring. Tighten post locking handle firmly.



4. Slide Drop Arm into socket at the end of the Glide Arm. Loosen the locking bolt with the 8mm Hex Key to position shaft plumb to the floor. **Tighten very firmly.**



5. Slide microscope Focusing Mount up onto shaft. Tighten the Locking Knob lightly.



6. Screw Safety Stop onto end of shaft tightly. Reposition Focusing Mount down to Safety Stop and tighten. Adjust position of Focusing Mount and tighten the Swivel Locking Knob.

# Assembly Instructions

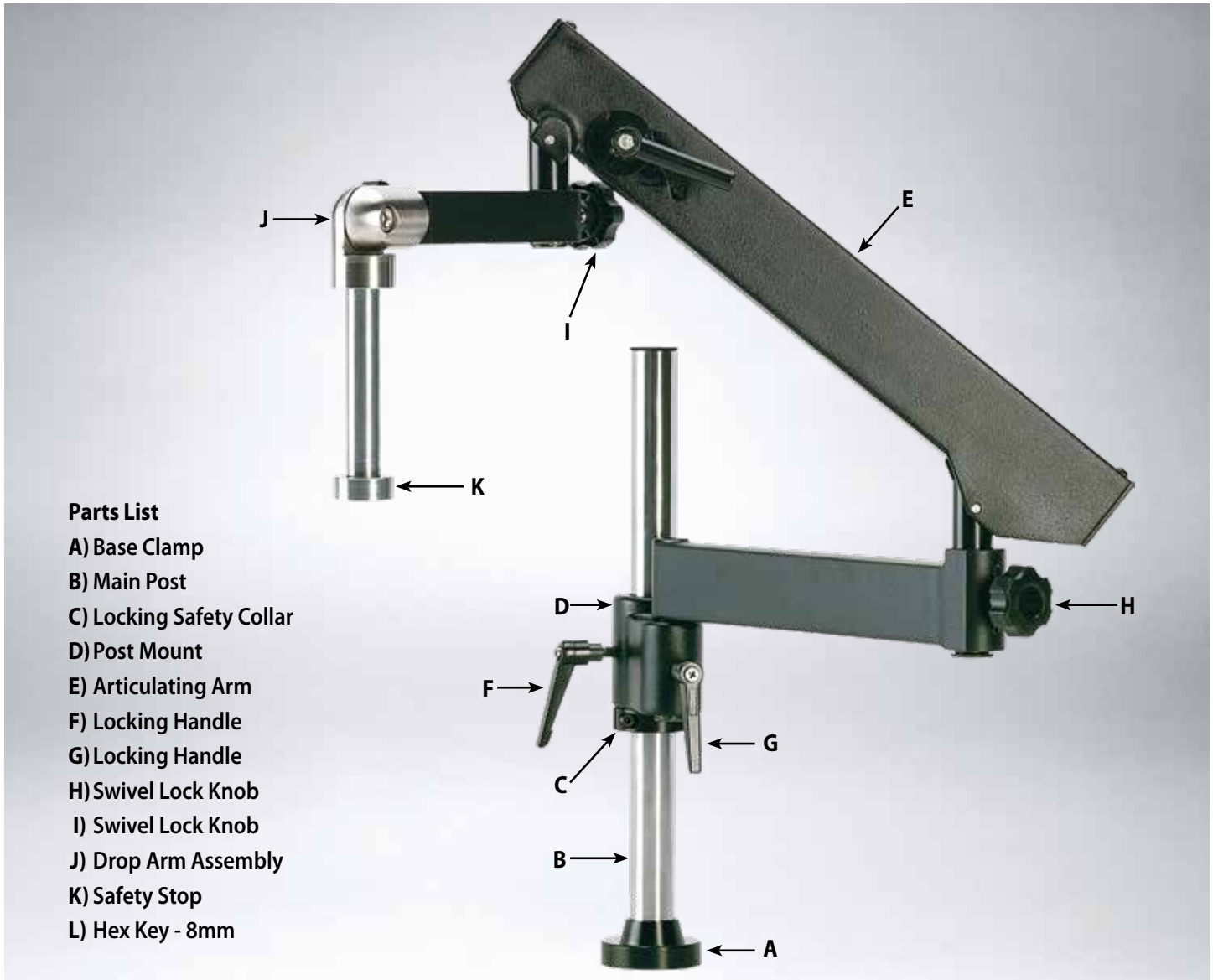
FOR SUPER-SCOPE® AND MACROZOOM SERIES



O.C. White Co.

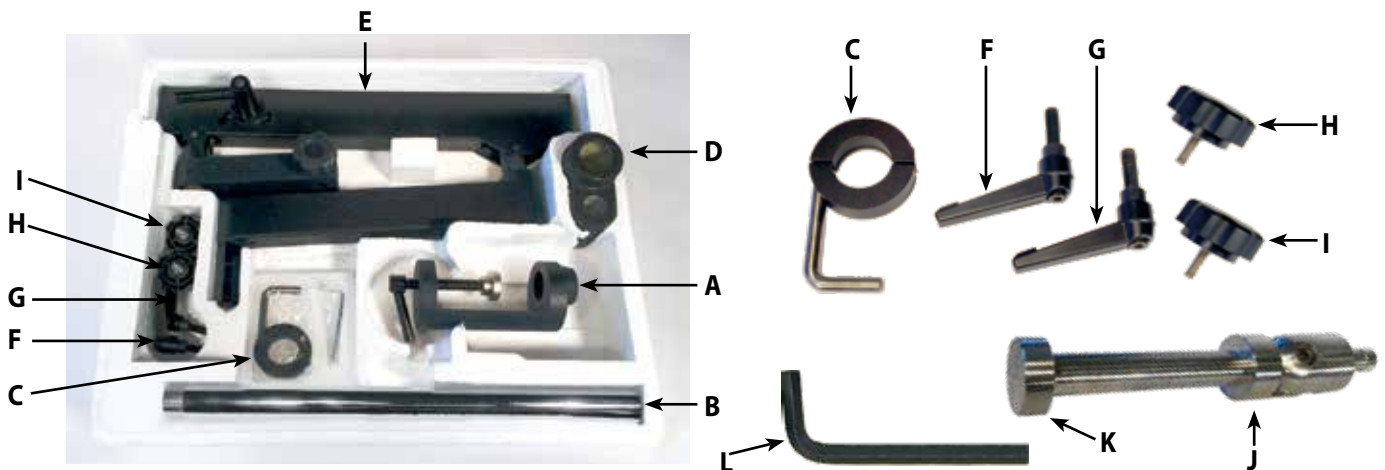
www.ocwhite.com

## O.C. White Articulating Arm Components



### Parts List

- A) Base Clamp
- B) Main Post
- C) Locking Safety Collar
- D) Post Mount
- E) Articulating Arm
- F) Locking Handle
- G) Locking Handle
- H) Swivel Lock Knob
- I) Swivel Lock Knob
- J) Drop Arm Assembly
- K) Safety Stop
- L) Hex Key - 8mm



For troubleshooting or to report an issue please contact us at: [info@ocwhite.com](mailto:info@ocwhite.com) or call (413) 289-1751.



# Assembly Instructions

FOR SUPER-SCOPE® AND MACROZOOM SERIES

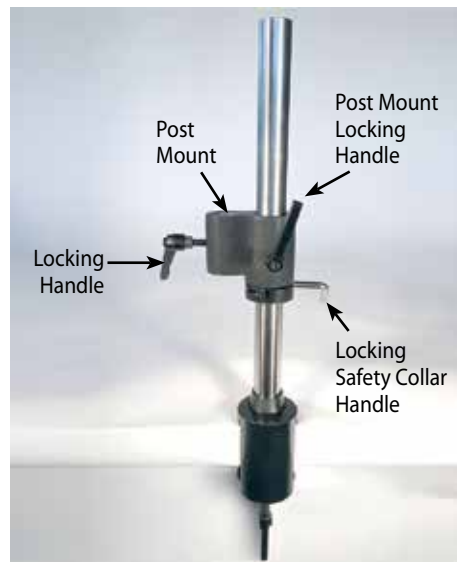


O.C. White Co.

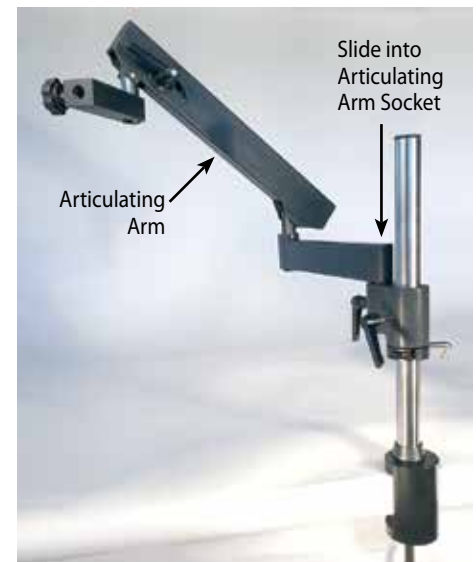
www.ocwhite.com



**1.** Screw Main Post into top of Base Clamp. Slide jaw of Base Clamp onto edge of table top. Ensure full contact of the clamp to the edge of the table. Tighten clamp handle firmly until unit is held securely.



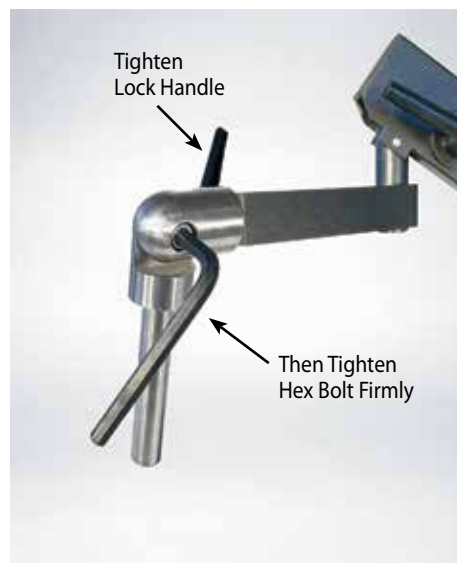
**2.** Position Safety Collar at approximate working distance. Tighten its locking handles firmly. Insert locking handles into Articulating Arm locations shown and screw in several turns, but **do not tighten**.



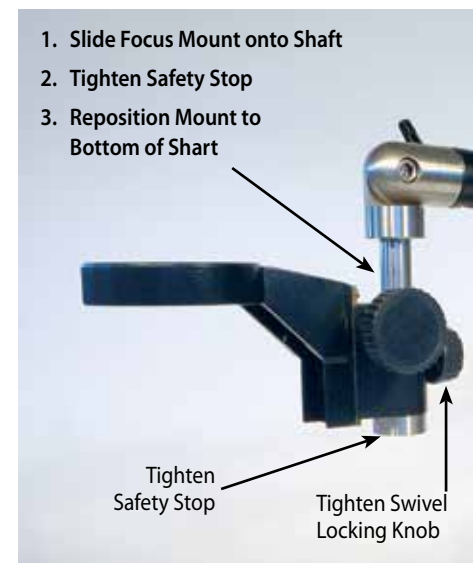
**3.** Slide Articulating Arm into Flex Arm socket. **Tighten post locking handle firmly.**



**4.** The angle adjustment of the Articulating Arm is secured by the Locking Handle. Loosen counter-clockwise to desired angle and **tighten firmly**.



**5.** Slide Drop Arm into socket at end of Articulating Arm. Loosen hex bolt and position shaft plumb to floor. Tighten locking handle first, then **tighten hex nut very firmly**.



**6.** Slide Focus Mount onto Drop Arm shaft. Lightly tighten knob. Screw Safety Stop onto end of shaft firmly. Reposition Focusing Mount down to Safety Stop and tighten knob. Slide microscope head into Focus Mount opening and secure small locking knob.

# Assembly Instructions

FOR SUPER-SCOPE® AND MACROZOOM SERIES



O.C. White Co.

www.ocwhite.com

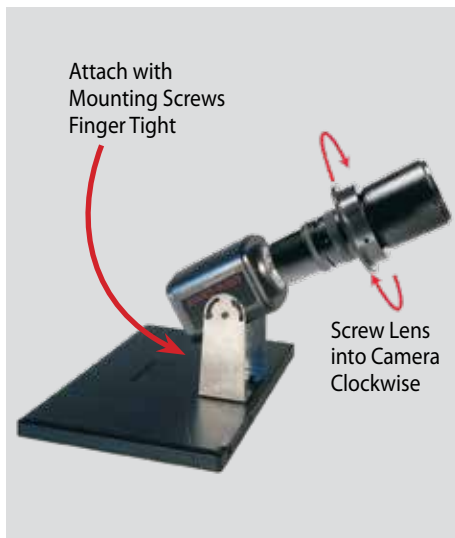
## Super-Scope® HD Video Components



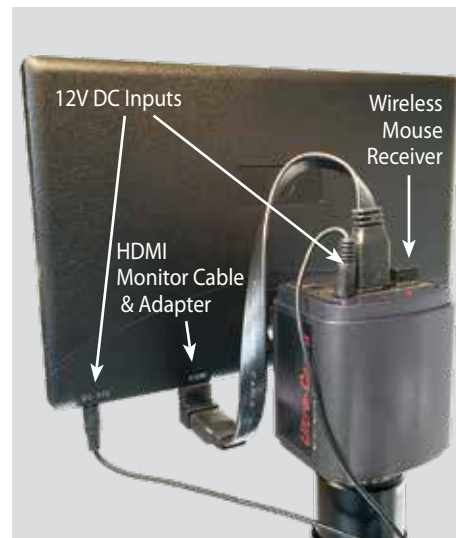
- A) 12" Monitor w/ Mount
- B) 5MP Hybrid Digital Camera
- C) Screen to Case Mounting Screws
- D) SD Card - 8 Gb
- E) Screen Mounting Bracket

- F) 100-240v (50/60hz) Transformer
- G) "Y" Power Splitter
- H) Cord for Transformer
- I) USB Cord
- J) HDMI "L" Adapter

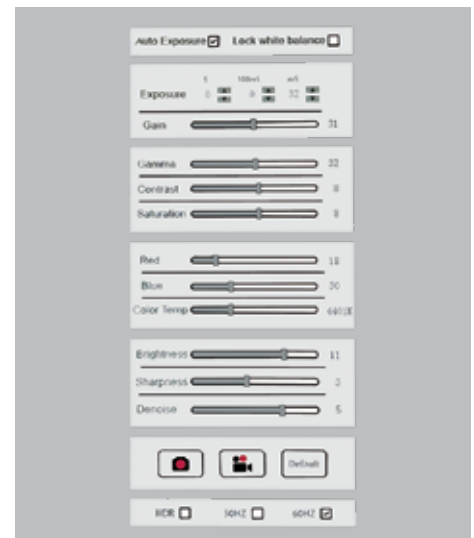
- K) Long HDMI Cable
- L) Short HDMI Cable
- M) Wireless Mouse
- N) Mouse Receiver *(Ships in bottom of mouse)*
- O) "AA" Mouse Battery



**1.** Attach monitor to camera with both mounting screws turned **finger tight**. Attach lens to camera by turning counter clockwise until seated.



**2.** Slide Camera & Monitor Assembly into the Stand Assembly Focus Mount. Attach cables as shown. Insert Wireless Mouse Receiver into USB port on camera.



**3.** Turn ON Camera & Screen. Using the mouse, toggle left hand side hidden window. Open the Settings tab, and select 60hz for optimum performance.

For troubleshooting or to report an issue please contact us at: [info@ocwhite.com](mailto:info@ocwhite.com) or call (413) 289-1751.

# Assembly Instructions

FOR SUPER-SCOPE® AND MACROZOOM SERIES

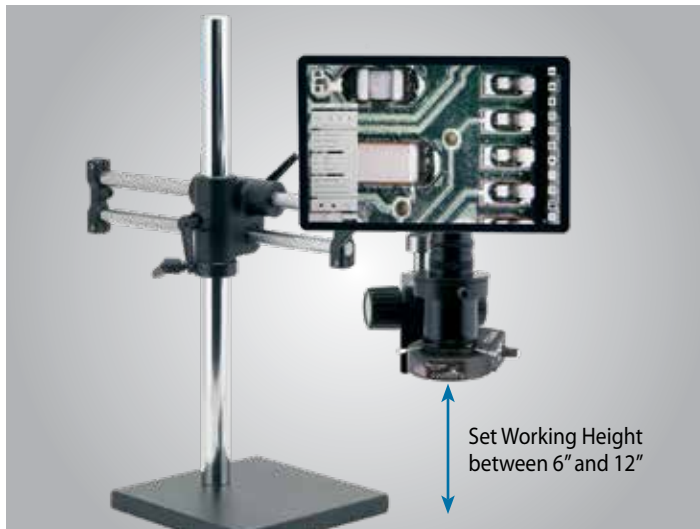


O.C. White Co.

www.ocwhite.com

## How to Parfocal your Super-Scope®

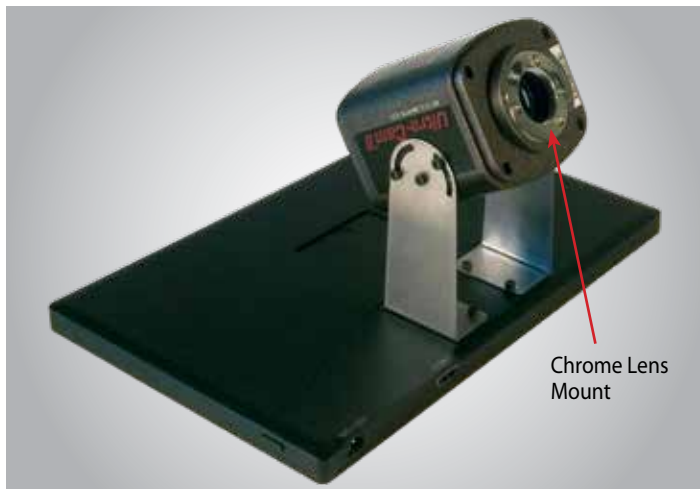
*Why Parfocal your Microzoom?* Parfocaling enables you to cycle through your microscope's zoom range without losing focus.



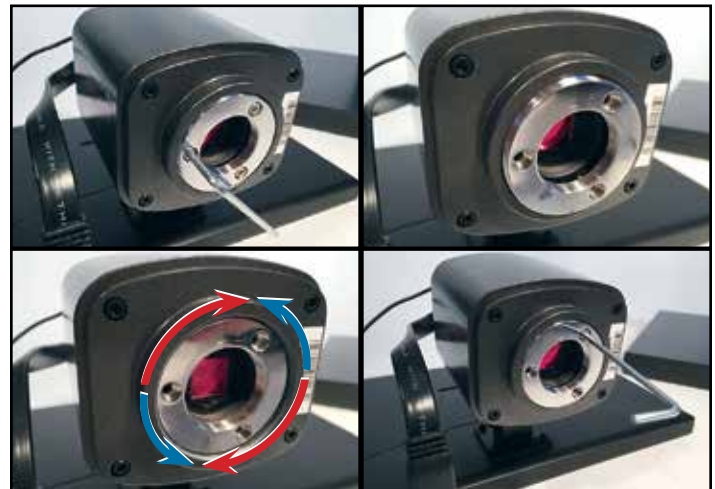
**1.** Set working height of Super-Scope® to preferred distance between 6-12". If 12"+ is required, remove lower Close-up lens.



**2.** Turn the Aperture Ring to First Indicator Dot (halfway open). Then close slightly as shown (white line before indicator). Rotate the Zoom Ring to its highest zoom setting. Turn the Focus Ring until image on screen is in focus.



**3.** Turn the Zoom Ring to its lowest zoom setting (do not adjust aperture or focus ring). If image is out of focus, you will need to adjust Chrome mount at bottom of camera. Remove lens from focusing arm and remove lens from camera.



**4.** Unscrew the 3 hex bolts from mount. Rotate chrome mount in or out and reinstall (1) bolt. Reassemble lens, camera, and screen and recheck focus using steps above. **Repeat and readjust** (if necessary) **until field is focused** at both high and low zoom (reinstall remaining bolts at this time).



# Assembly Instructions

FOR SUPER-SCOPE® AND MACROZOOM SERIES

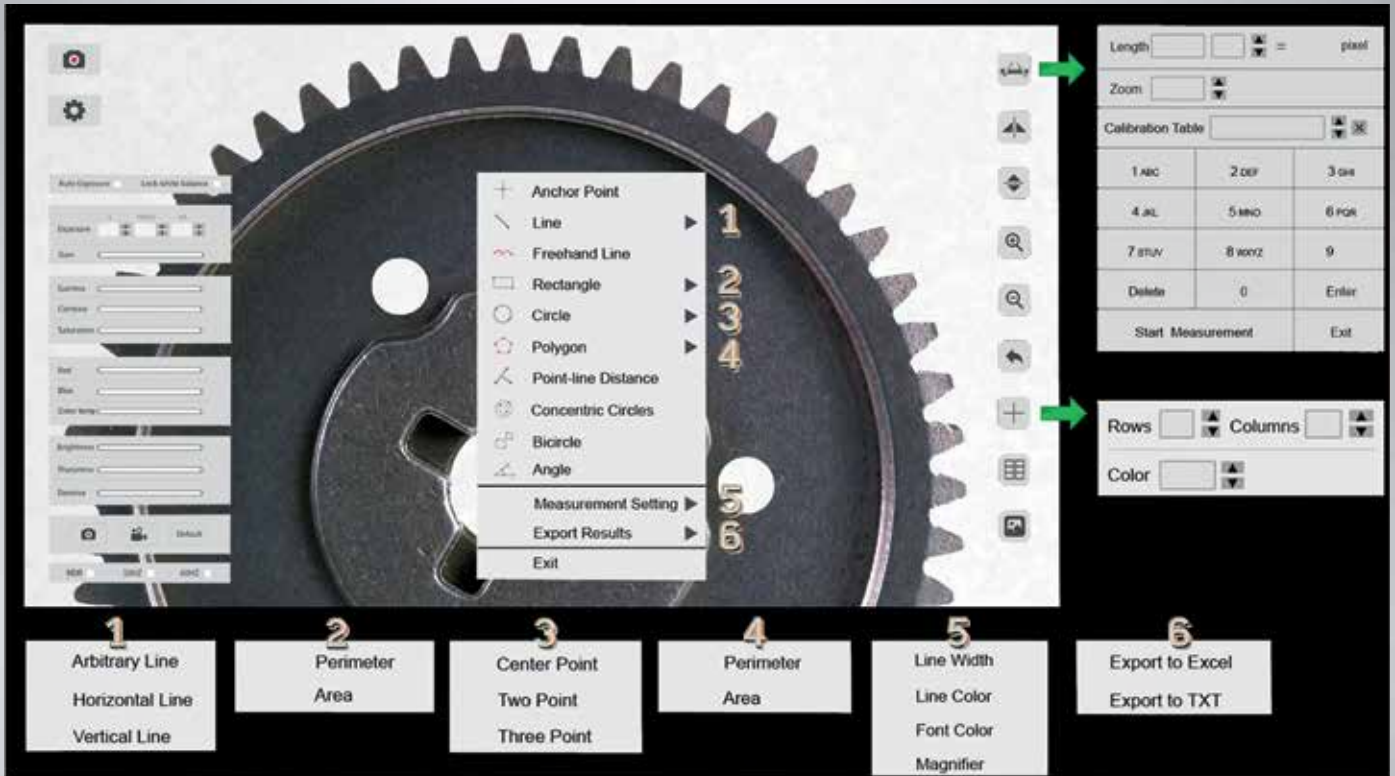


O.C. White Co.

www.ocwhite.com

## AIMS Advanced Imaging & Measurement Suite

INTEGRATED SOFTWARE FUNCTIONS FOR ALL CAMERA BASED SYSTEMS



Our exclusive **Ultra-Cam II™ 5MP Hybrid HDMI/USB Camera** pulls double duty for both production and quality assurance needs. The AIMS System's Software documentation as well as PC software suite are available for download at <https://support.ocwhite.com>. Featuring both HDMI and USB outputs, its **integrated smart camera controls** include a host of onboard software features including:



### Image Capture

Quickly capture image and videos while inspecting directly to the 8GB SD card. Sort and archive to a PC.



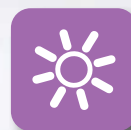
### Calibrated Measure

An entire array of Measurement Tools for high precision and repeatable measurements without a PC!



### Real Time Compare

Compare live video feed with previous captured images. Search and sort for instant comparison.



### Ultra-High Sensitivity

Industry leading low light sensitivity allows for crystal clear images where competitors cameras fail. More sensitivity requires less light for less glare!

## NEW! AIMS PC SUITE ADDS REMARKABLE FEATURES TO AIMS FOR MAXIMUM PRODUCTIVITY AND PRECISION!



### Extended Depth of Focus

This specialized tool allows for 'stacking' of multiple image captures of tall objects taken at various focal lengths, into a single super high clarity image.



### Ultra-High Sensitivity

Inspecting something that is just too big to view all at once? Capture multiple images of the object, then 'stitch' them together digitally to create a single extra-large image.

For troubleshooting or to report an issue please contact us at: [info@ocwhite.com](mailto:info@ocwhite.com) or call (413) 289-1751.