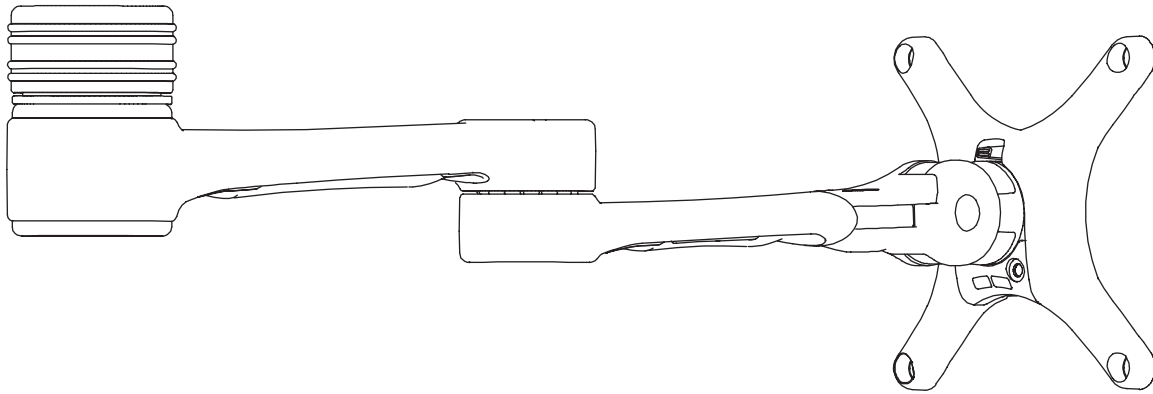
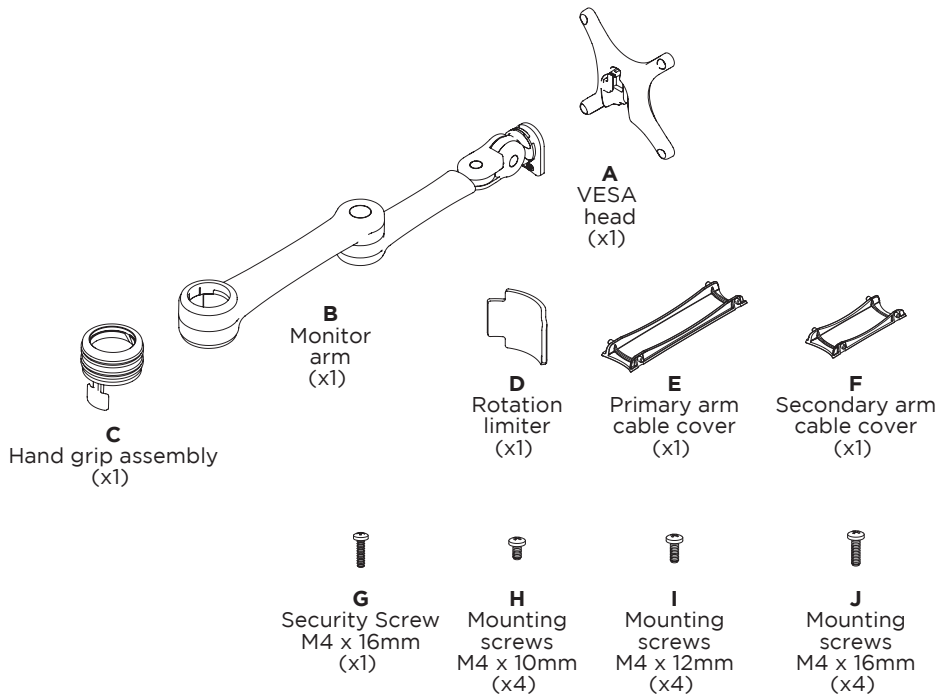


Accessory Arm



COMPONENT CHECKLIST

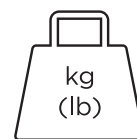


Desk

REQUIRED TOOLS

- Phillips Head Screwdriver

WEIGHT RANGE

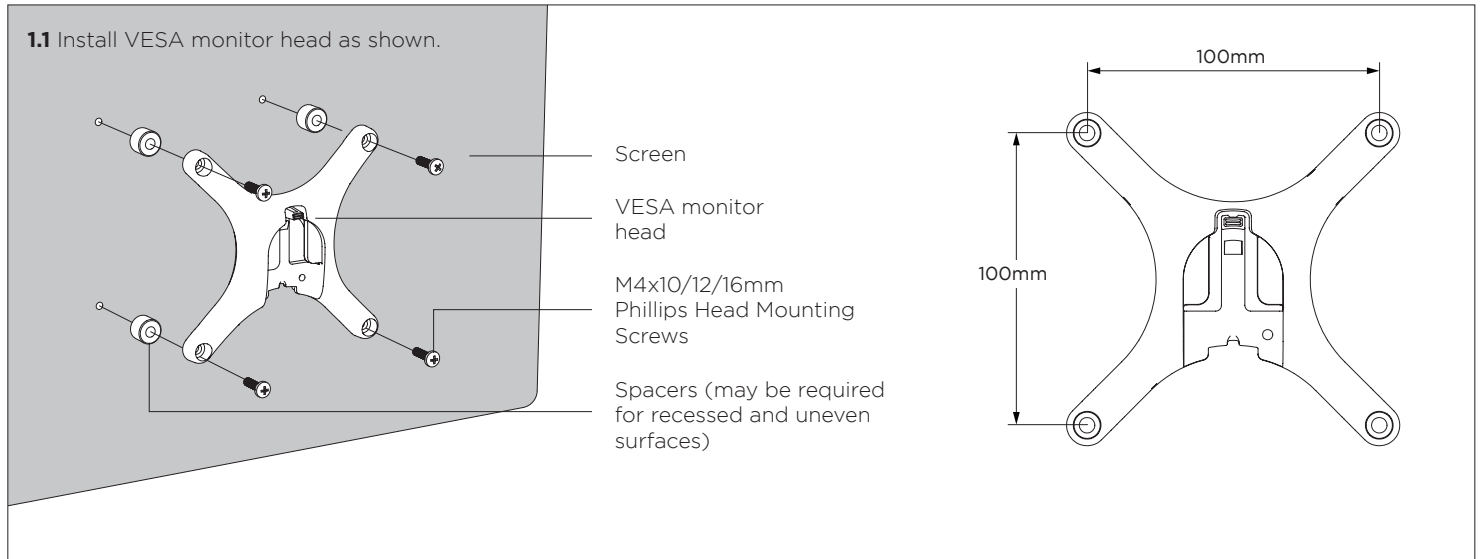


kg (lb)
0 - 8kg
(0 - 17.6lbs)

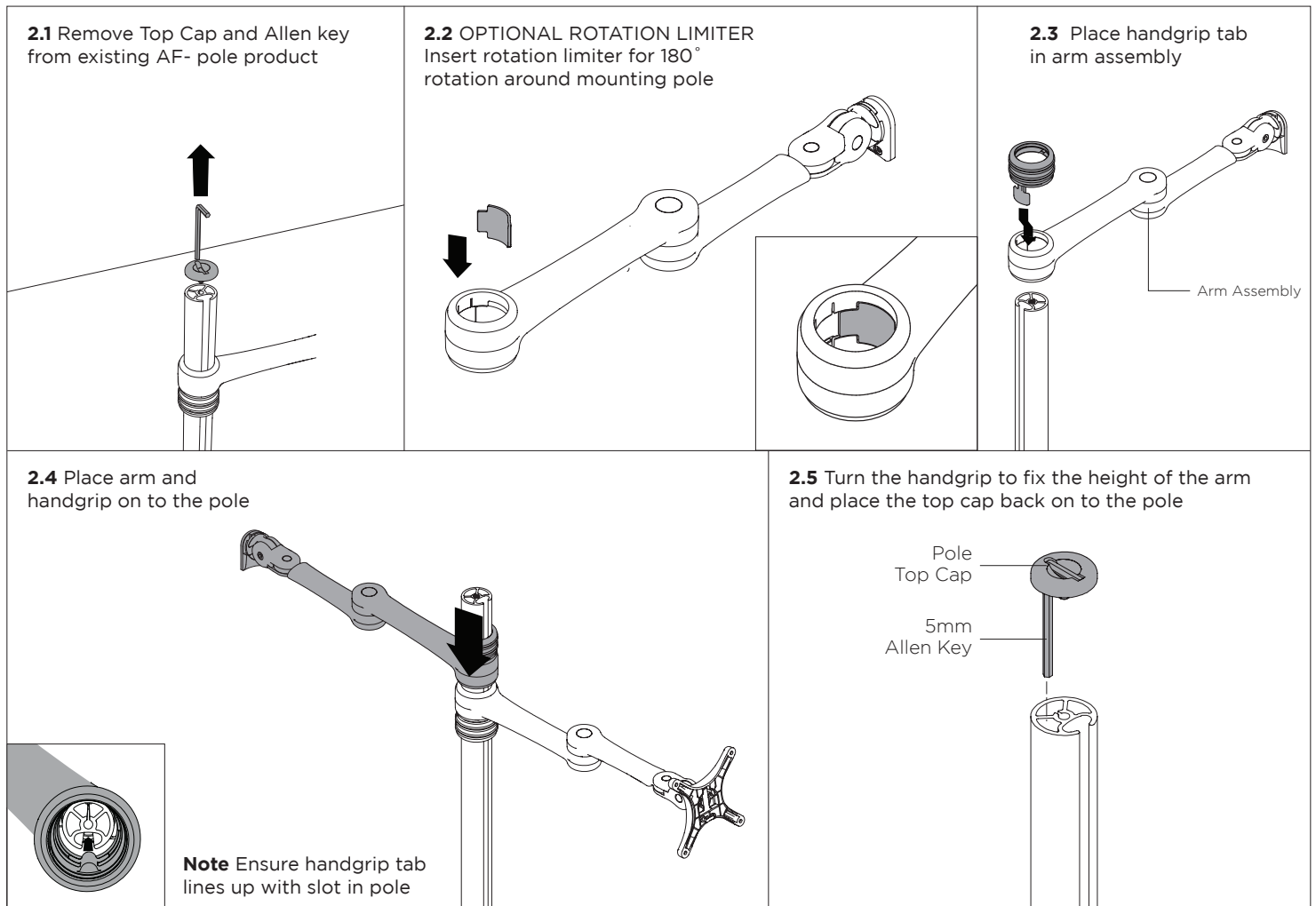
IMPORTANT INFORMATION

- ! Please ensure this product is installed as per these installation instructions.
- ! This product is compatible with the range of AF Poles and arms.
- ! The manufacturer accepts no responsibility for incorrect installation.

1. Install VESA monitor head

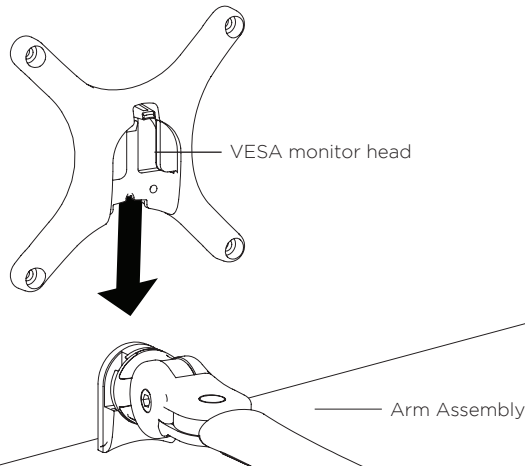


2. Install arm assembly



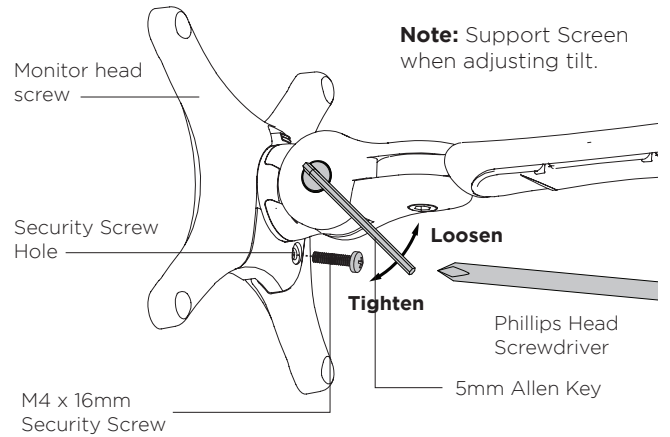
3. Mounting Monitor

3.1 Insert VESA monitor head into the receptacle in the Arm Assembly



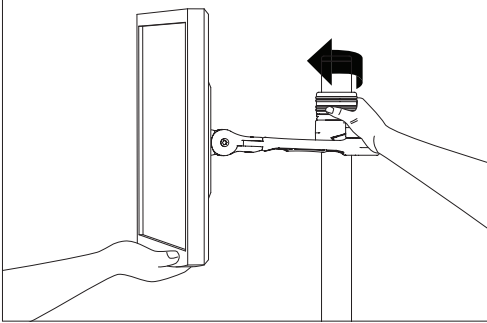
3.2 OPTIONAL SECURITY SCREW

Ensure the Monitor is supported, then loosen the Monitor head screw with the 5mm Allen Key and tilt screen up before installing the M4 x 16mm Security Screw into the Security Screw hole

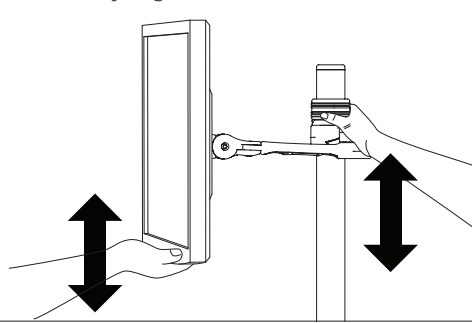


4. Adjusting Height

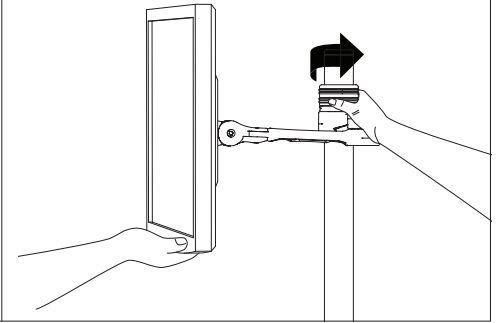
4.1 Unlock Handgrip ensuring both the screen and arm assembly are supported



4.2 Lift/Lower the Screen to the desired height. Move both Screen and Arm assembly together

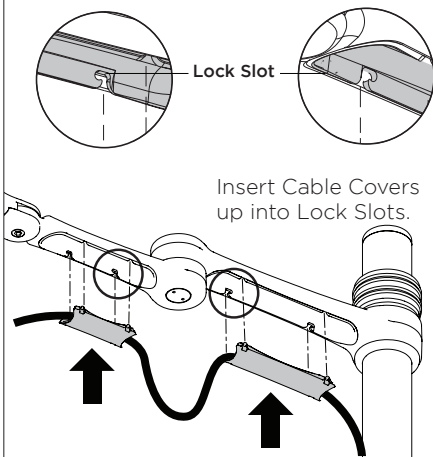


4.3 Lock Handgrip firmly

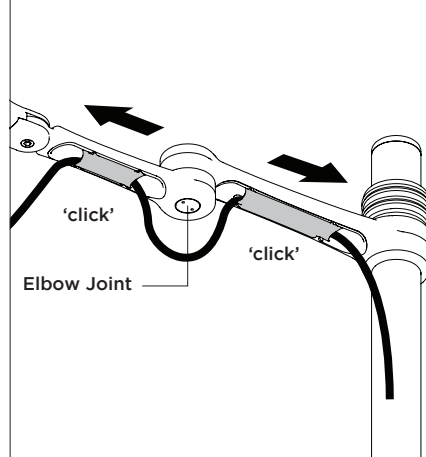


5. Cable Management

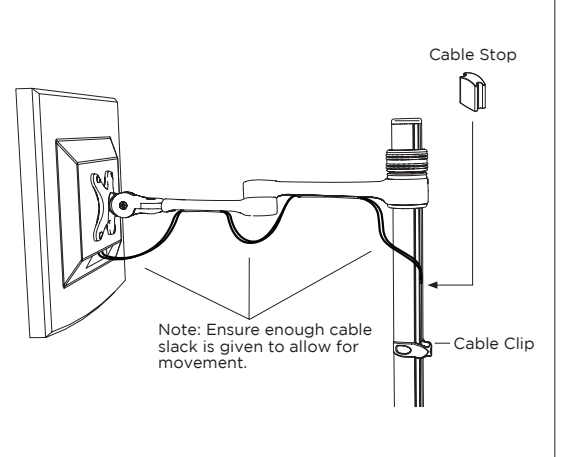
5.1 After plugging in your cables, install the Cable Covers.



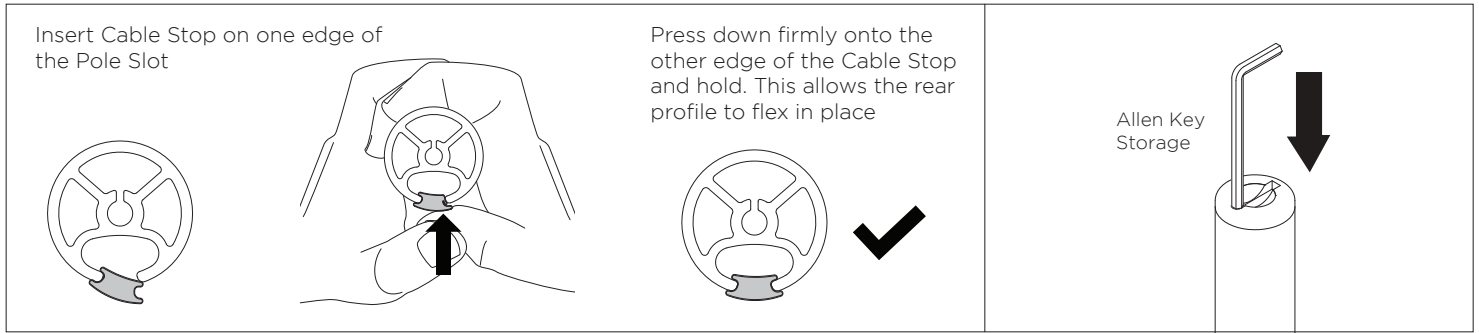
5.2 Push Cable Covers away from Elbow Joint to secure in place.



5.3 Cable Clips and Cable Stops can be installed to further manage cables.



5. Cable Management (Cont)



Adjusting the Display Bracket

