

Accessory Arm

Mounting Options

The product is designed to be installed on an existing AF range pole mount

Display Mounting Options

Suits 100mm x 100mm mounting hole pattern

Display Weight Compatibility

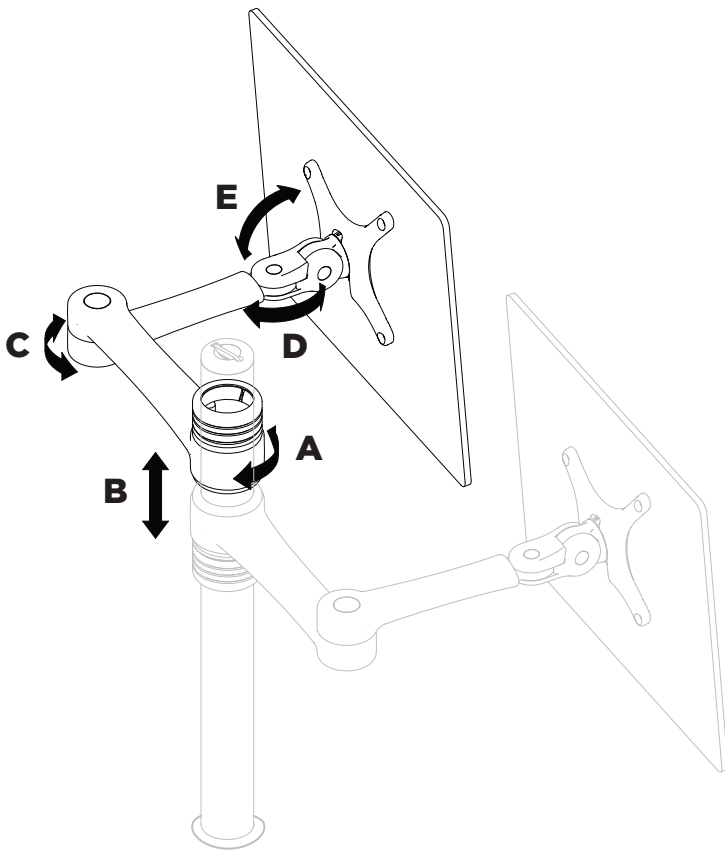
Max. 8kg (17.6lbs)

Consist of

Monitor Arm
Fasteners
Mounting Hardware

Warranty

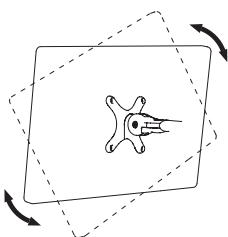
10 years limited



A	360° rotation around mounting pole/ 180° with rotation limiter
B	430mm (16.9") height adjustment range
C	360° articulation of arms
D	Pan 180°
E	Tilt ± 70°
F	± 95° Portrait/ Landscape Adjustment

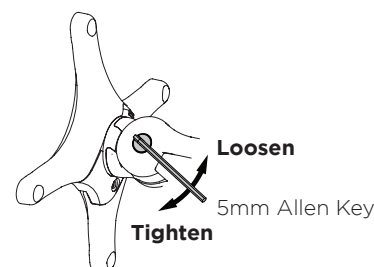
Pole and arm assembly shown for reference only.

Portrait/ Landscape



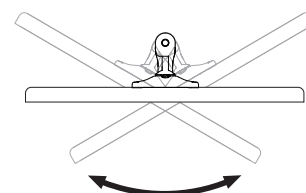
No Allen Key necessary

Tilt (Screen angle up/down)



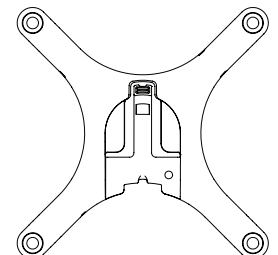
Note: Support Screen when adjusting tilt.

Pan (Screen angle left/right)

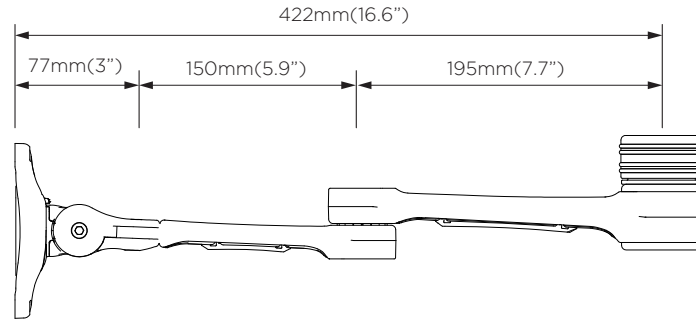


No Allen Key necessary

100mm x 100mm VESA hole pattern



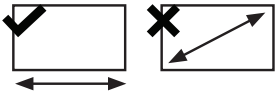
Dimensions



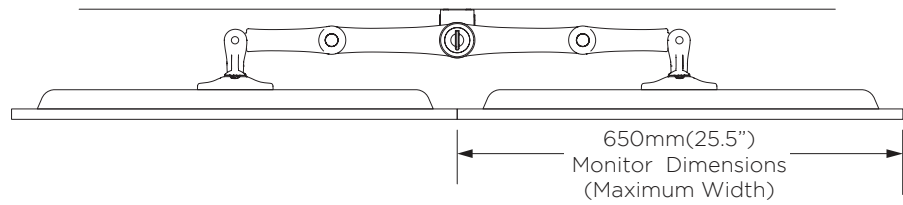
Dual configuration

Note:

- 1. All dimensions are dependant on the size and shape of the monitor used.
- 2. Monitor Dimensions (Maximum Width) relates to the actual width of a monitor not the diagonal viewing size.



Monitor Flat



Monitor Angled

