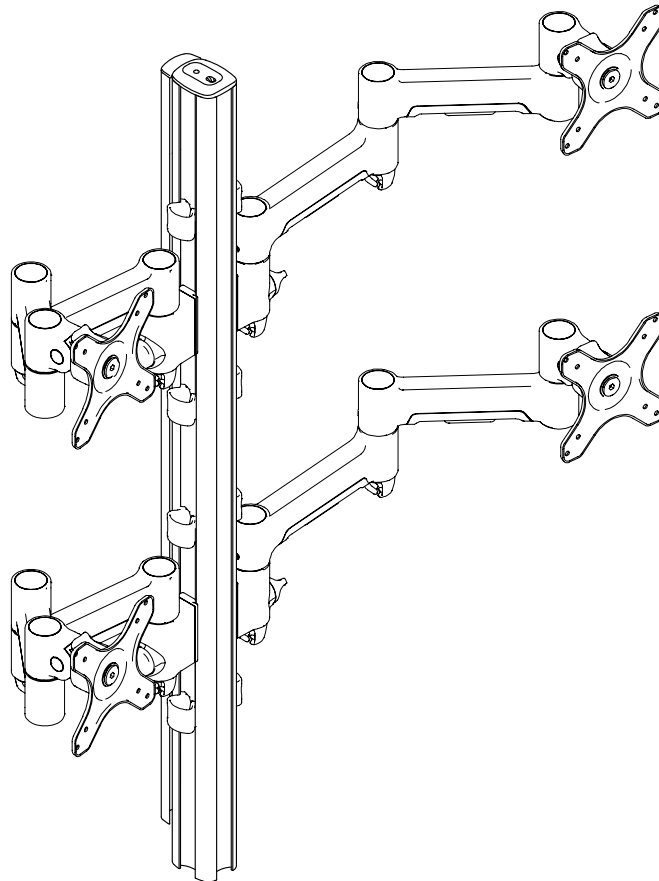


Quad Monitor Mount on 750 Post



FEATURES

- Supports four monitors up to 30". Larger monitors may be compatible, refer to Monitor Size (page 2).
- Larger screens compatible when upgraded with sliders. Refer to AWM-HS Technical Specification for details.
- Monitor quick release mechanism.
- Integrated, optional 180° rotation limiter to prevent interference with desk mounted panels and dividers.
- Cable management with generous capacity guides cables discreetly down the arm to the work surface.

Monitor weight range

Flat monitor

0-12kg (0 - 26.5lb)*

Curved monitor

0-8kg (0 - 17.6lb)*

Tilt angle

+45 /- 25°

Monitor rotation

360°

VESA mounting

75x75 | 100x100

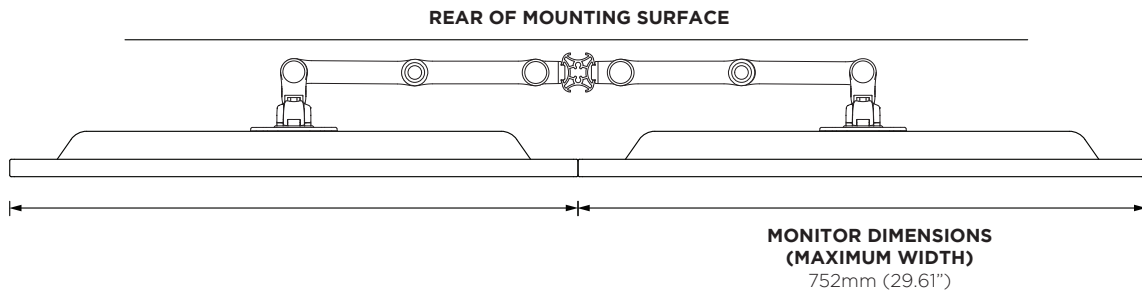
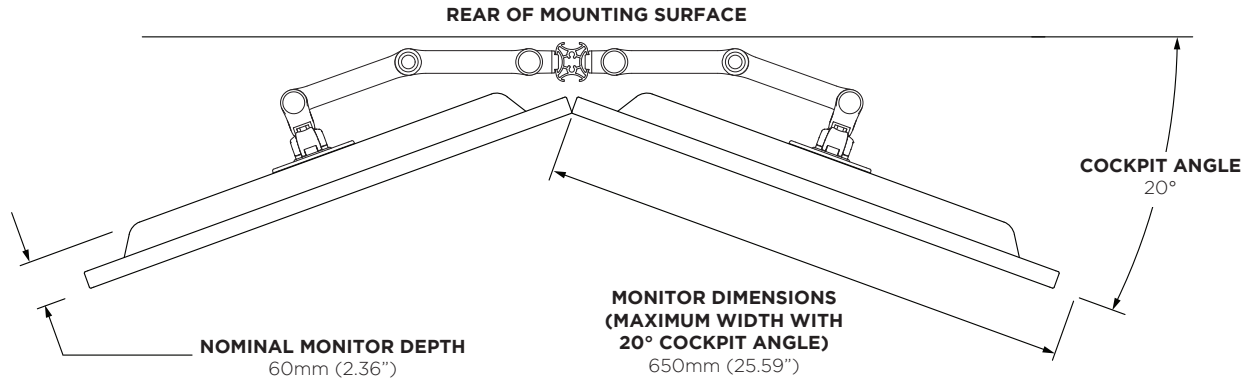
*Monitor weight should be within the weight range of all modular elements that make up the complete monitor mounting solution.

*Curved monitors, deep devices (such as all-in-one PCs) and offset VESA locations exert additional leverage that can exceed the capacity of the mount even though the monitor weight may be within the stated range. Please contact Atdec if you would like further information.

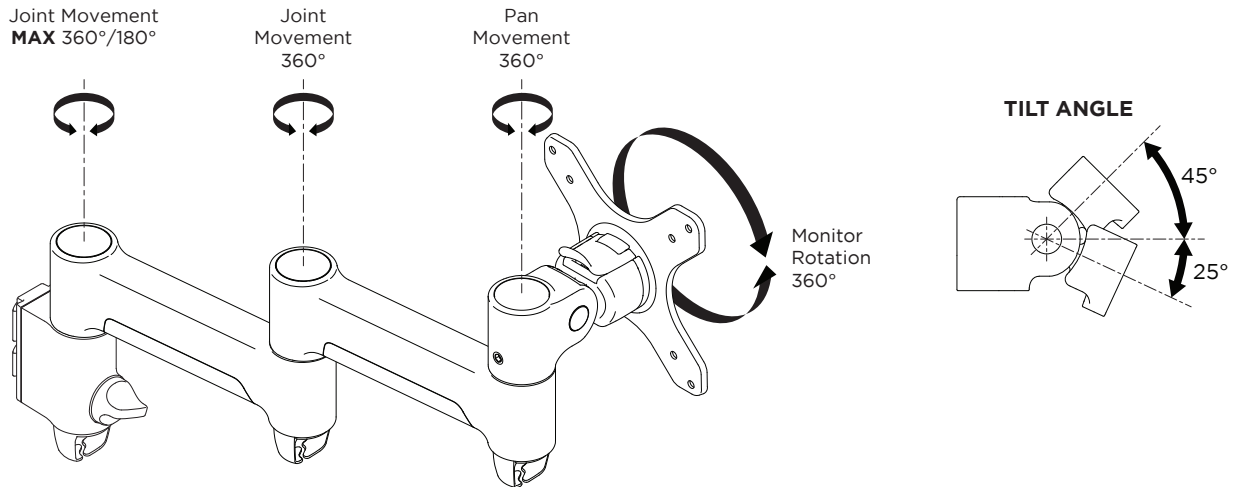
WARRANTY

10 years limited

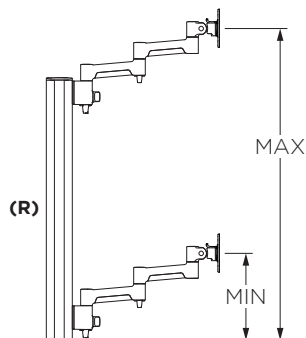
MONITOR SIZE



MOVEMENT - 460 ARM



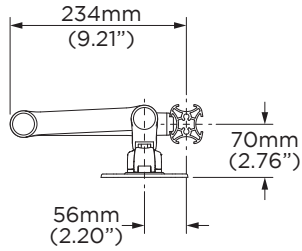
DIMENSIONS - 460 ARM ON 750 POST



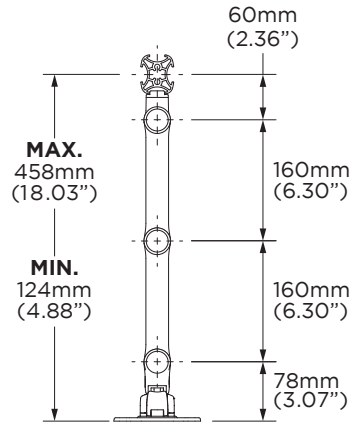
HEIGHT ON 750 POST *C CLAMP INCREASES MINIMUM HEIGHT ON POST BY 26MM (1")	MIN	MAX	RANGE (R)
	233mm* (9.17")	901mm* (35.47")	668mm* (26.30")

DIMENSIONS - 460 ARM ON POST

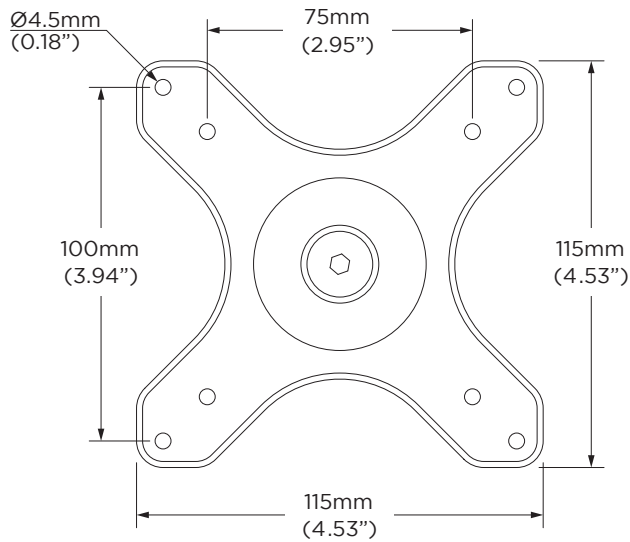
POST SIDE ATTACHMENT



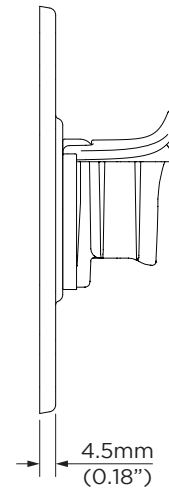
POST FRONT ATTACHMENT



DIMENSIONS - VESA HEAD



FRONT VIEW



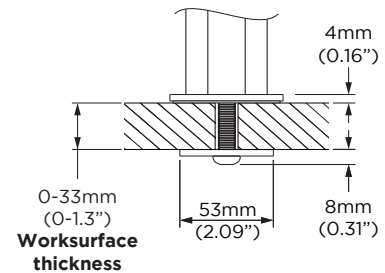
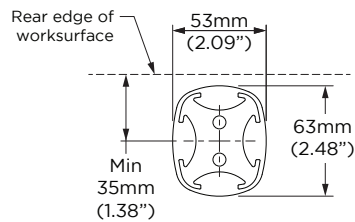
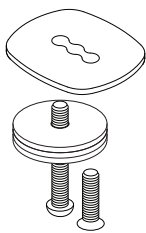
SIDE VIEW

DESK FIXING OPTIONS

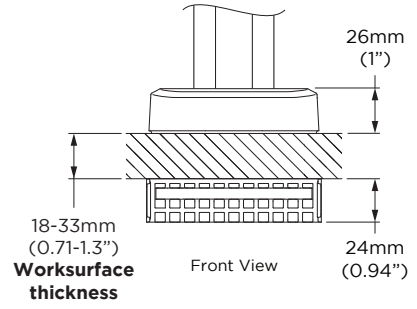
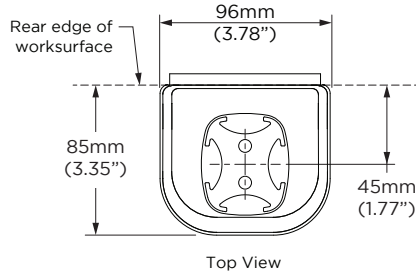
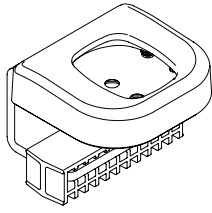
Below are the fixing options available for this solution. For more information and detailed specifications for these products please see the separate Technical Specifications available on the Atdec website.

Note: Chosen desk fixing must be added to this solution code when ordering.

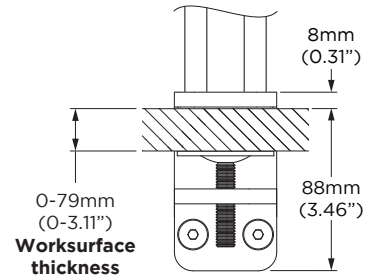
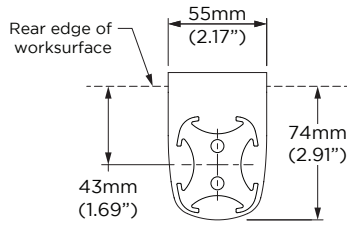
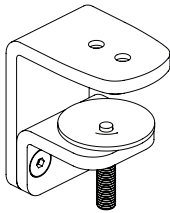
BOLT THROUGH AWM-FB



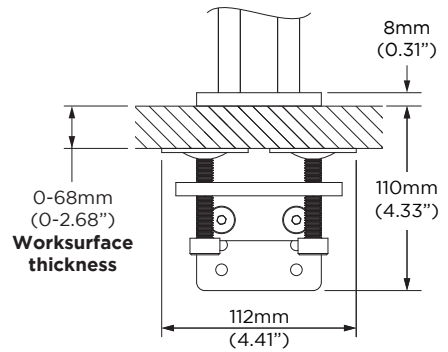
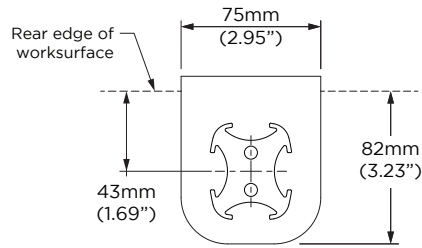
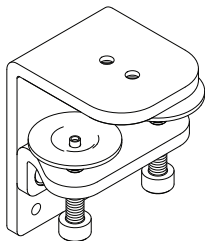
C CLAMP AWM-FC



F CLAMP AWM-FF



HEAVY DUTY F CLAMP AWM-FH



GROMMET CLAMP AC-GC

