

SYSTEMA

Systema Range

General Features

Consist of:

4X SA46
 1X SP75

Colours:

Silver and Anodized Aluminium

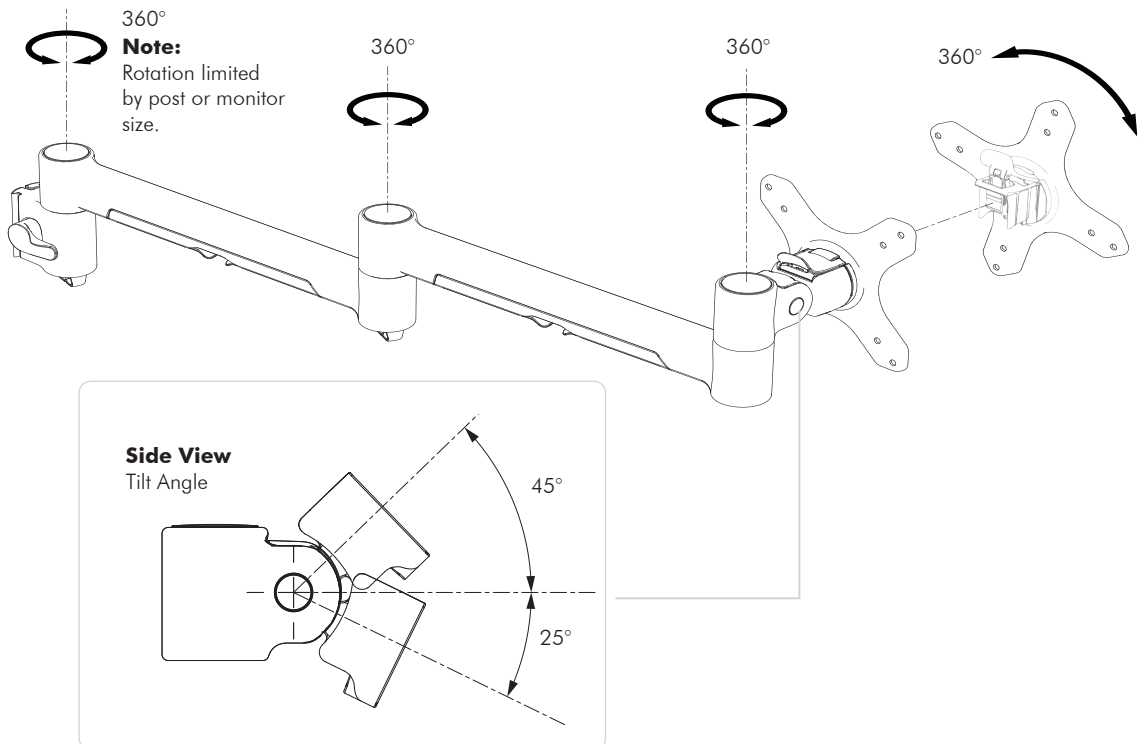
Warranty:

10 years limited

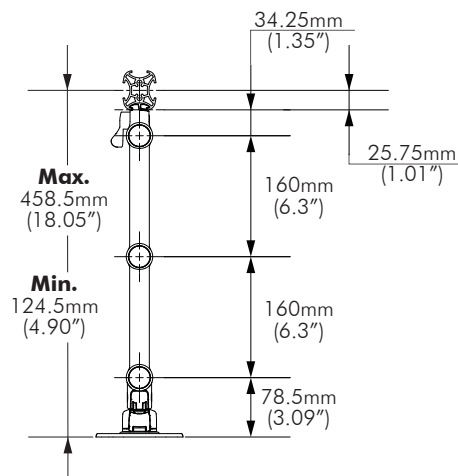
Max Load:

12kg (26.46 lbs) per arm

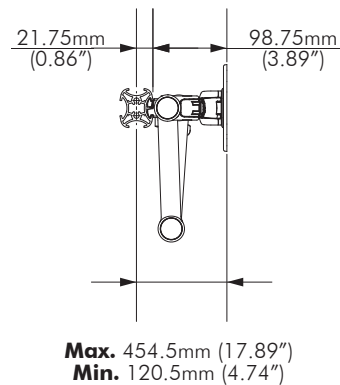
Range Of Movement



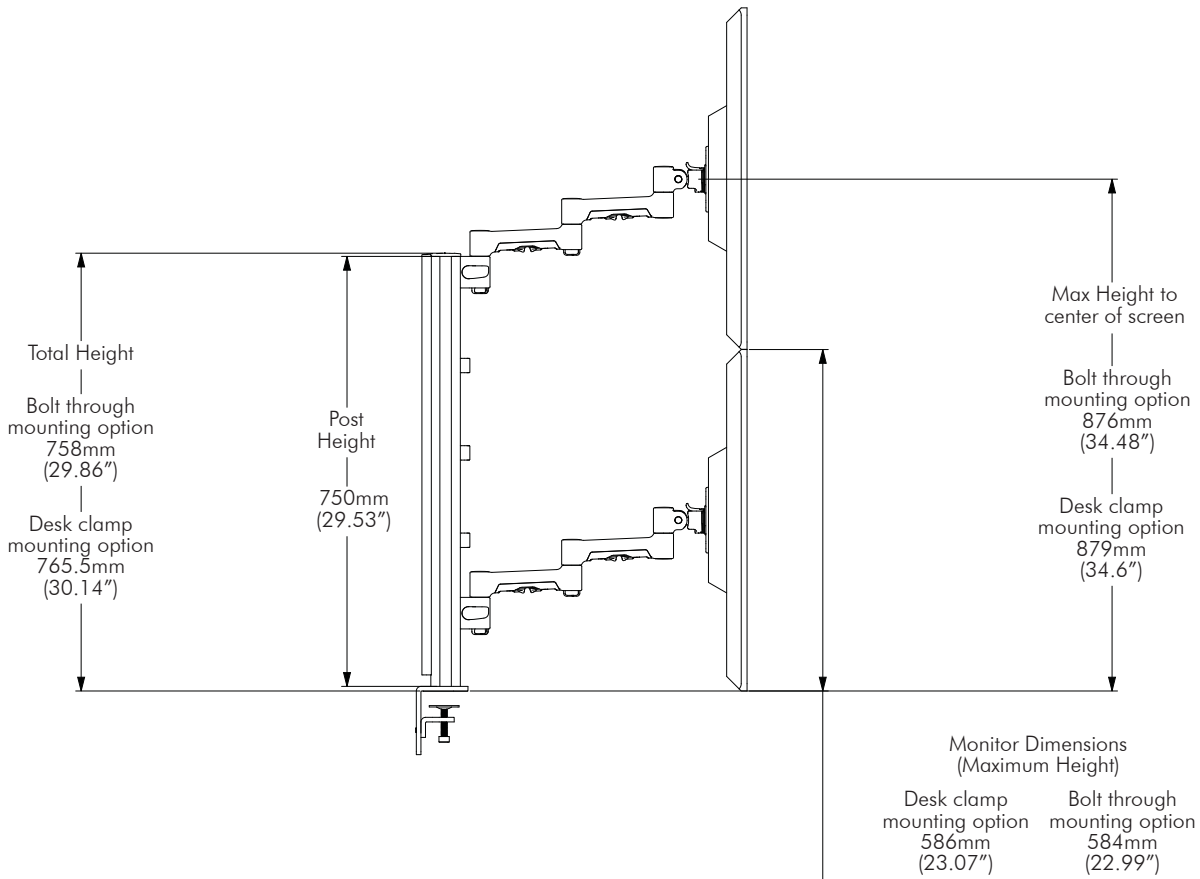
Front Attachment
 (Maximum Extension shown)



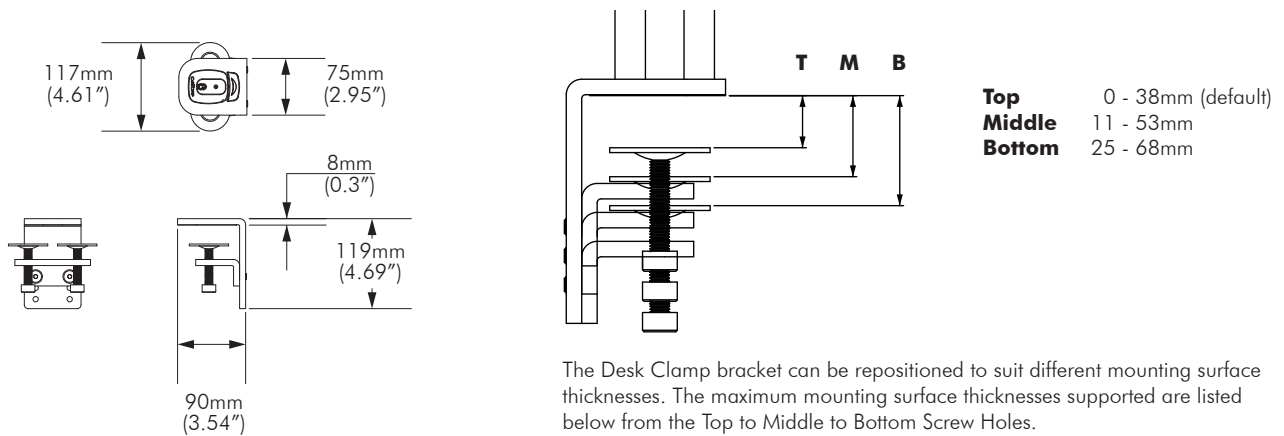
Side Attachment
 (Minimum Extension shown)



Side View



Desk Clamp Mounting Options-Dimensions



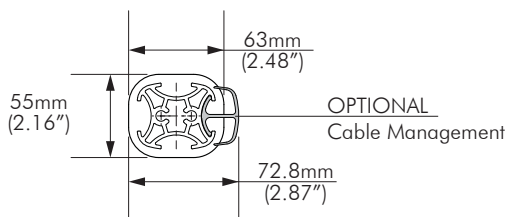
The Desk Clamp bracket can be repositioned to suit different mounting surface thicknesses. The maximum mounting surface thicknesses supported are listed below from the Top to Middle to Bottom Screw Holes.

Important! Any mounting surface must be capable of supporting the combined weight of all Systema products and attached monitors/devices. If in doubt, contact your mounting surface supplier.

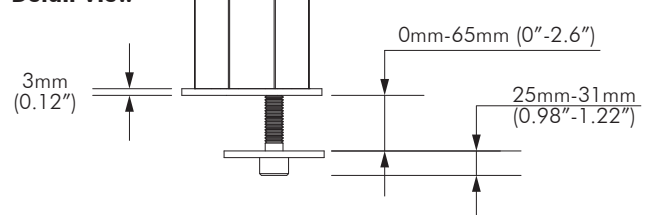
Bolt Through Mounting Options- Dimensions

Top View

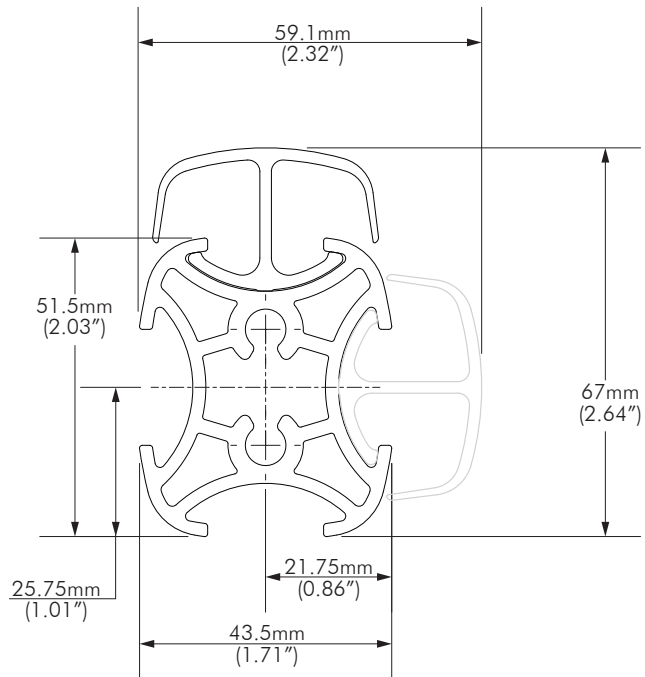
Bolt Through Desk Plate



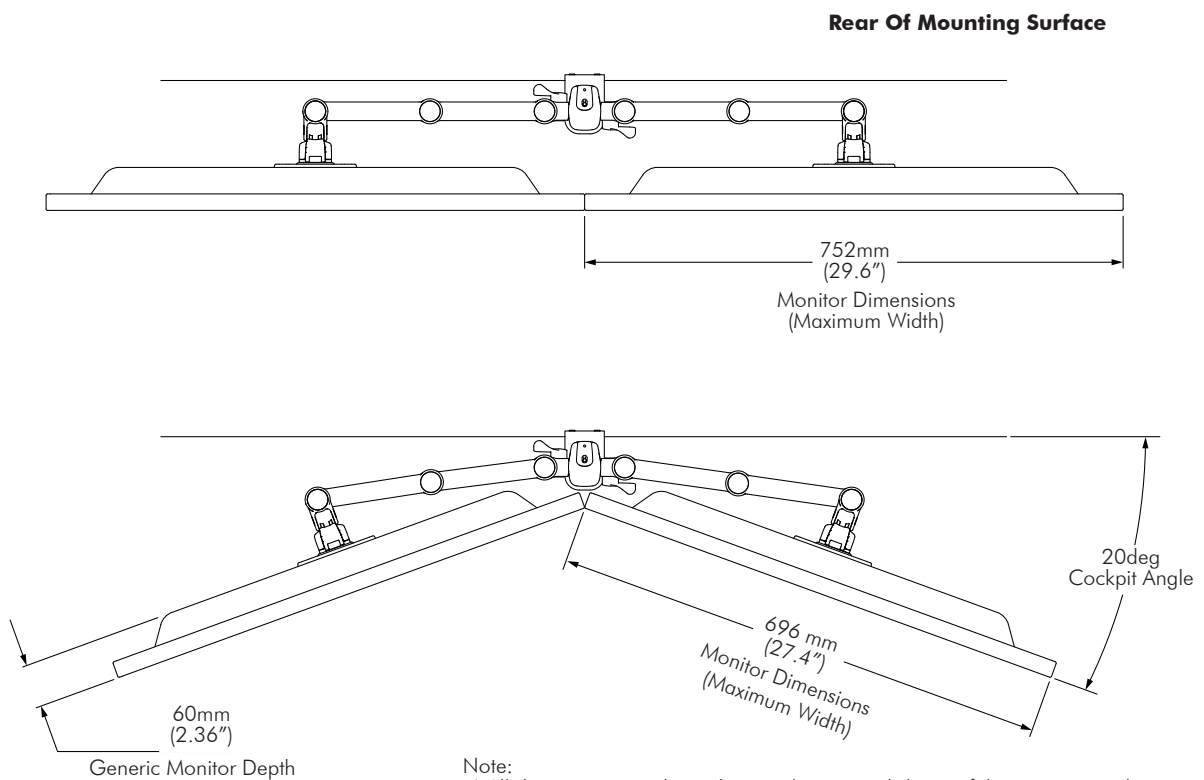
Detail View



Post Cross Section - Dimensions

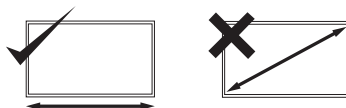


Plan View

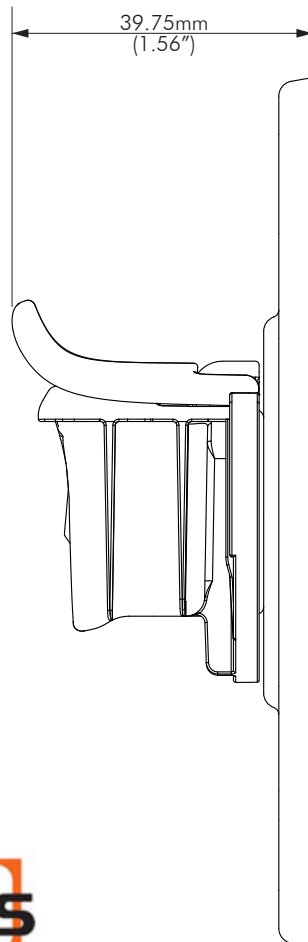
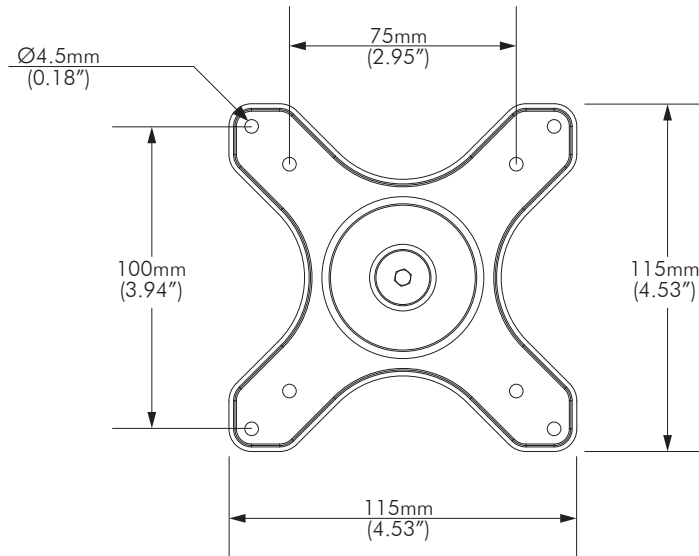


Note:

- 1) All dimensions are dependant on the size and shape of the monitor used.
- 2) Monitor Dimensions (Maximum Width) relates to the actual width of a monitor not the diagonal viewing size.



Monitor Arm | Height Adjustment on Post



Touchboards

205 Westwood Ave, Long Branch, NJ 07740
Phone: 866-94 BOARDS (26273) / (732)-222-1511
Fax: (732)-222-7088 | E-mail: sales@touchboards.com

