

Touchboards

205 Westwood Ave, Long Branch, NJ 07740
Phone: 866-94 BOARDS (26273) / (732)-222-1511
Fax: (732)-222-7088 | E-mail: sales@touchboards.com

THE MODULAR TECHNOLOGY
MOUNTING SOLUTION.



SYSTEMA
create adapt upgrade

AN **INNOVATIVE MOUNTING SYSTEM** THAT CAN BE INTEGRATED QUICKLY AND EASILY IN ANY OFFICE, STUDIO, CONTROL ROOM OR PUBLIC PLACE.



SYSTEMA is designed to achieve flexible, functional and ergonomic workspaces.

Beautifully designed, easy to install and of course built to last, being constructed from die-cast aluminum and steel. SYSTEMA is the most versatile display mounting range on the market today. SYSTEMA is built to professional standards and comes with a 10 year warranty.

The SYSTEMA modular mounting range is a masterpiece of functional design, built to enhance your working environment, productivity and performance - giving you the control and confidence now and as your needs and technology change over time.

CREATE

HOT-DESKING, ACTIVITY BASED WORKPLACES, MULTI-USER ENVIRONMENTS, MULTI-SCREEN OPTIONS - SYSTEMA allows you to create efficient, productive yet ergonomic, collaborative and comfortable workspaces. Create a multitude of variations using our range of modular parts, allowing you to custom-build your perfect workspace with virtually endless possibilities to mount multiple screens and combine them with notebooks and tablet devices.

ADAPT

Flexible range of movement, effortless monitor landscape to portrait rotation and ability to support touch screens makes SYSTEMA extremely adaptable to any working environment. Swap the arms at any time to change the configuration of the devices. For those on the move, swapping your screens with notebook trays is easy while stationary users can securely fix displays for added security and peace of mind.

UPGRADE

Technology is a fast changing game and SYSTEMA ensures that investments made today will work for you for many years to come. The ability to upgrade your mounting configuration is the integral characteristic of SYSTEMA. The range of interchangeable parts gives you the freedom to expand and upgrade your mount at any time to include additional devices.

RESPONSIBLE DESIGN.

The SYSTEMA range is designed to minimize its impact on the environment. As such the range has been "Designed for Disassembly (DFD)" and manufactured from recyclable materials so that at the end of its life the product can be taken apart easily for recycling.

It is designed for durability, strength and extended use. Tested through 10,000 repetitive movements to ensure each mount will survive intensive use.

The future proof design of the SYSTEMA range also helps to minimize its impact on the environment by reducing the need to replace entire products as technology changes.



BETTER RANGE OF MOTION.



STYLISH & CONTEMPORARY, **SYSTEMA** COMPLIMENTS THE MODERN WORKPLACE.

CORPORATE OFFICE

Whether it's a single display or multi-user workstation SYSTEMA provides an ergonomic and flexible solution.

ACTIVITY BASED WORKSPACES,
HOT-DESKING, TRADITIONAL
WORKSTATIONS, PRESENTATION



CONSOLE & CONTROL ROOMS



In intensive multi-screen environments SYSTEMA's range of height and viewing angle adjustment helps to achieve a highly ergonomic solution while quick release mounting heads enable rapid changes of displays. Up to 6 displays in two rows (3x3) can be supported per post & the horizontal expansion possibilities are limitless by combining additional solutions.

TECHNICAL MULTI-SCREEN
CONFIGURATIONS, SURVEILLANCE,
TRANSPORT CONTROL ROOMS,
FINANCIAL APPLICATIONS

PRESENTATION & DISPLAY

The simple and secure lever-action attachment/release system locks the modular pieces into position. Designed to support touch screens, SYSTEMA makes screen sharing so easy.

POINT OF SALE, PUBLIC PRESENTATION,
BANKS, INTERACTIVE KIOSKS



SYSTEMA MODULARITY.

CHOOSE...

the mounting option – desk or wall. Desk Clamp and Bolt Through mounting options are both included with each desk post.

SELECT...

the optimum combination of arms that fit your display motion range requirements. The universal post design allows the arm attachment in any of 4 post channels so you can arrange your displays in the best possible way.

CONSIDER...

accessories such as notebook or tablet holders. These devices can be attached to any SYSTEMA arm at any time.

THINK...

about future upgrades. If you are planning to expand you may want to select parts that allow attaching additional screens

SINGLE DISPLAY DESK MOUNT.

THE SSK IS THE FLAGSHIP PRODUCT OF THE SYSTEMA RANGE, CARRYING UP TO 8KG & 29" MONITORS. THIS SPRING ASSISTED AND DYNAMIC MONITOR ARM IS THE MOST FUNCTIONAL ARM ON THE MARKET.



SSKS Single display desk mount (Silver)



SSKPB Single display desk mount (Polished)

ACCESSORIES



SNBT Notebook tray

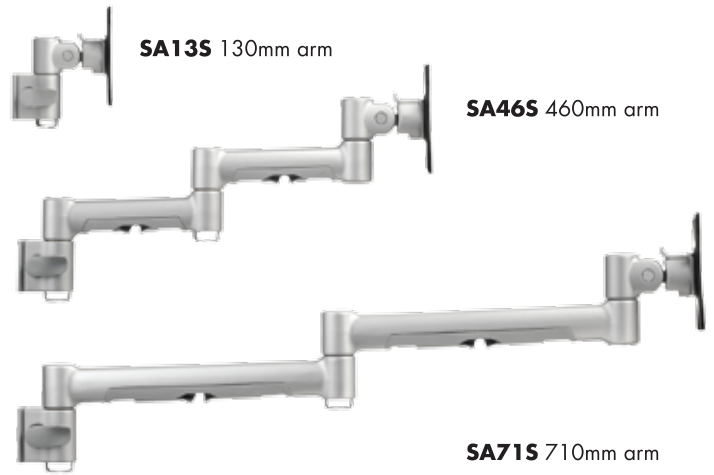
Universal channel design



Quick attachment



MONITOR ARMS



MIX N' MATCH THE SYSTEMA RANGE OF INTEGRATING ARMS & MOUNTING OPTIONS.

SYSTEMA gives you the ability to create, adapt or upgrade easily, anywhere at any time in the future.

MOUNTING OPTIONS

DESK MOUNTED POSTS



SP75S
750mm post



SP40S
400mm post



SP10S
100mm post

WALL CHANNELS



SW35S
350mm wall channel



SW6S
60mm wall channel

Visual gauge

Easy installation

Desk clamp

Cable management



Multi-user options

A GREAT SOLUTION
FOR SHARED
MONITORS,
MULTI-USER AND
MULTI-SCREEN
APPLICATIONS.



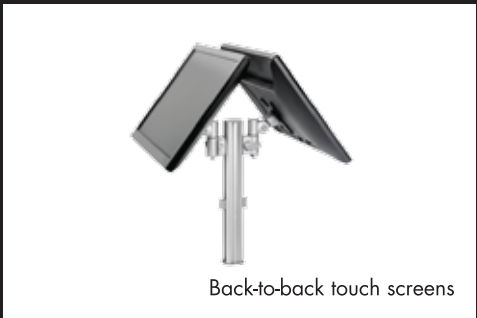
Advanced cable management



Multiple arm configurations



Ergonomic



Back-to-back touch screens

Atdec Pty Ltd
Level 1, 26 Castlereagh Street
Liverpool NSW 2170
Australia
Email: info@atdec.com
Phone: +61 2 87295000



www.atdec.com

SYSTEMA is manufactured from 100% recyclable materials (Steel, Plastic and Aluminium), is compliant with major international standards and is designed so that it can be separated at the end of its life.