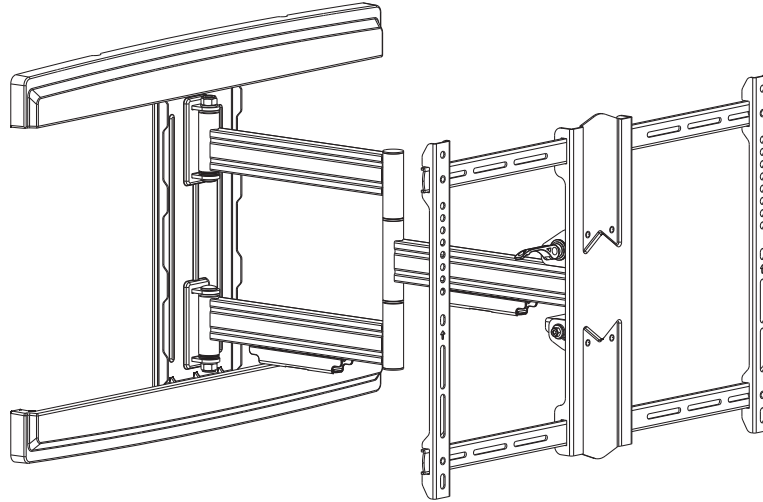
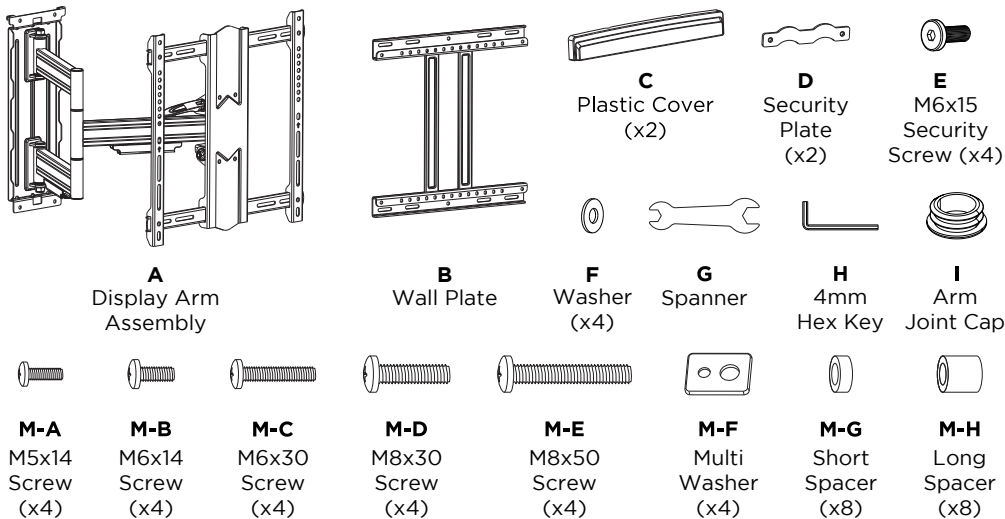


## Full Motion Wall Mount 5060



### COMPONENT CHECKLIST



### REQUIRED TOOLS

- Phillips head screwdriver
- Socket wrench set
- 5mm hex key
- Power drill
- Suitable drill bit
- Driver bit for selected wall fasteners
- Stud finder
- Spirit level

### WEIGHT RANGE

0 - 50kg  
(0 - 110lbs)

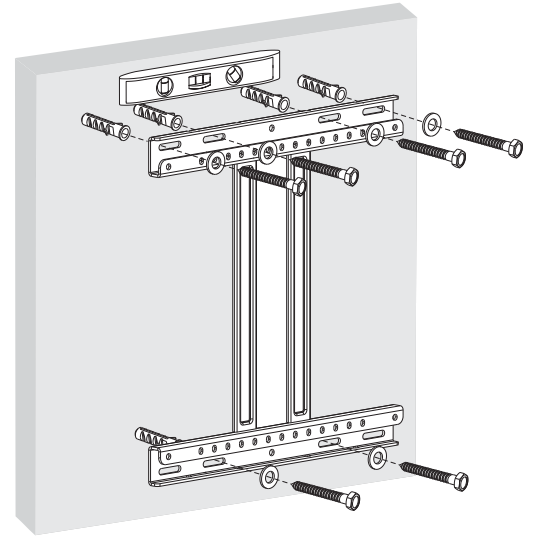
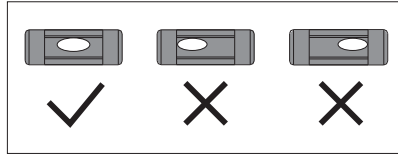
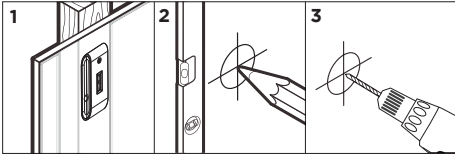
#### NOTE:

- ! Wall Plate Mounting Fasteners are **NOT** supplied with Wall Mounts. Professional installer to ensure correct Mounting Fastener type, location & quantity to suit structure where Wall Mount is installed.
- ! **ALWAYS** use a washer between the chosen fastener and the wall plate.
- ! Mounting fasteners to be used as per manufacturers instructions, including minimum engagement to achieve necessary performance.

### IMPORTANT INFORMATION

- ! **Please ensure this product is installed as per these installation instructions.**
- ! The manufacturer accepts no responsibility for incorrect installation.
- ! Failure to mount this product correctly may cause serious injury/death during or following installation.
- ! This product is not suitable for outdoor use.
- ! Do not use this product for mobile applications.
- ! This product supports a maximum load of 50kg (110lbs).
- ! Wall Plate only achieves maximum weight rating when appropriately fastened to a wall of adequate structural capacity.
- ! Professional installer to ensure adequate structural capacity of wall (including appropriate safety factor) to support total weight of all equipment being mounted.
- ! Drilling into electrical wires can cause death - use appropriate equipment and caution when drilling holes in walls to avoid electrical cables, water pipes and gas pipes. Do not drill into structures unless you have established it's safe to do so.
- ! Suits displays with mounting hole patterns from 200mm to 600mm wide by 100mm to 400mm high.

## 1. Mount the Wall Plate



\*Fasteners shown for example only

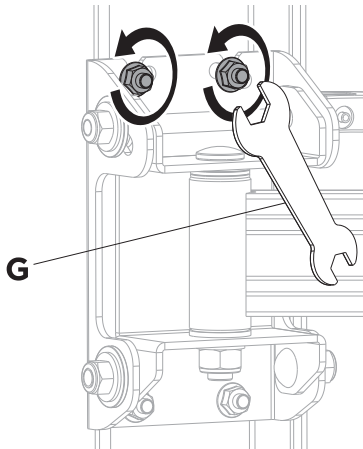
### NOTE:

- Choice and supply of appropriate wall plate fasteners is the responsibility of the installer.
- Consult a preferred fastener supplier or a structural engineer to select fasteners which are most appropriate for the weight of the display and wall construction method.
- Wall plate must be level. Verify using a quality spirit level tool.
- On a Stud Wall or Drywall use a good quality Stud Finder to position mounting fasteners in the centre of studs.
- On a Masonry Wall avoid positioning Wall Plate mounting fasteners in a mortar joint.

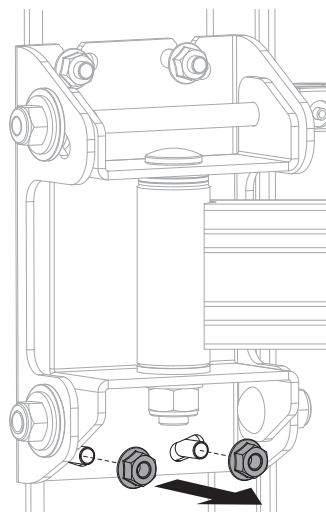
## 2. Detach the Display Bracket from the Arm Assembly

**2.1.** Using Spanner **G**, loosen the upper bolts on the rear of the display bracket.

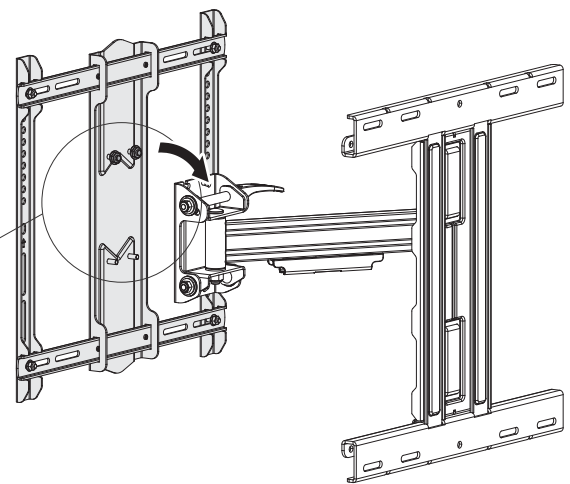
**DO NOT FULLY REMOVE.**  
Ensure nuts remain fully engaged on thread.



**2.2.** Fully remove the lower bolts from the rear of the display bracket.



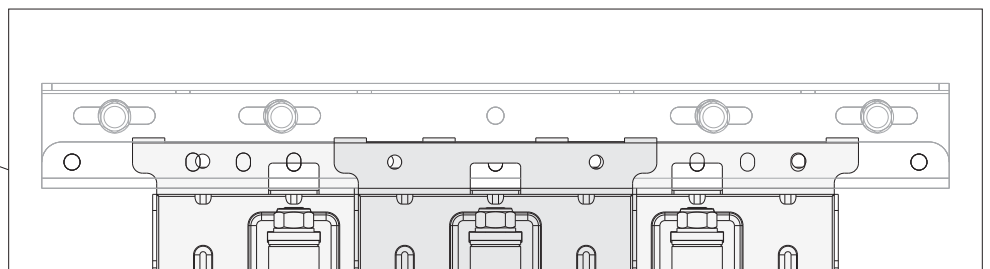
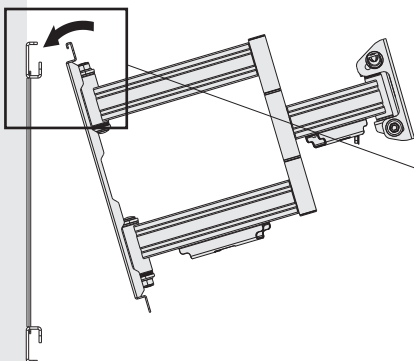
**2.3.** Unhook the display bracket from the main arm assembly.



## 3. Attaching Arms to Wall Plate

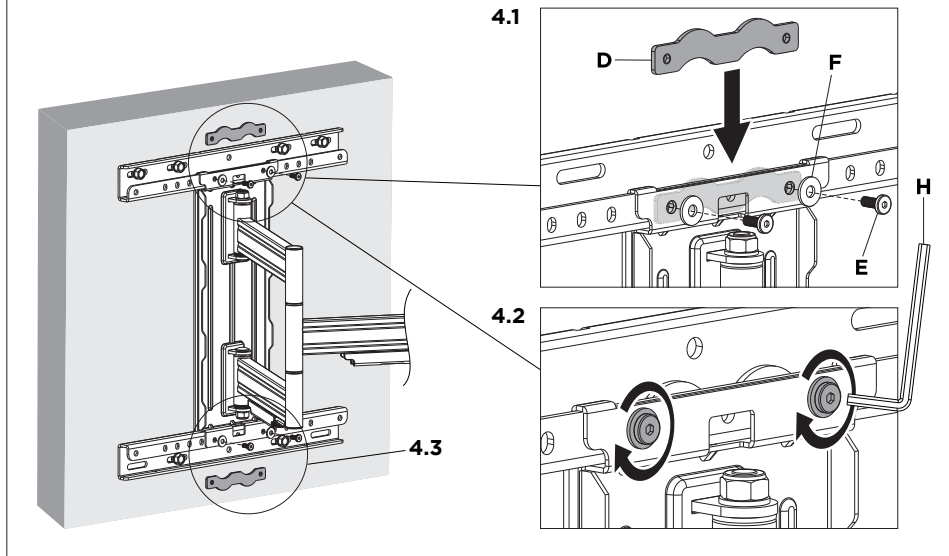
**3.1.** Angle the arm and hook the assembly over the top of the Wall Plate.

**3.2. (OPTIONAL)** At this stage, you may choose to fine tune the final alignment of the display by horizontally sliding the arm assembly left or right within the allowable range - where the holes on the display bracket align with those on the wall plate.



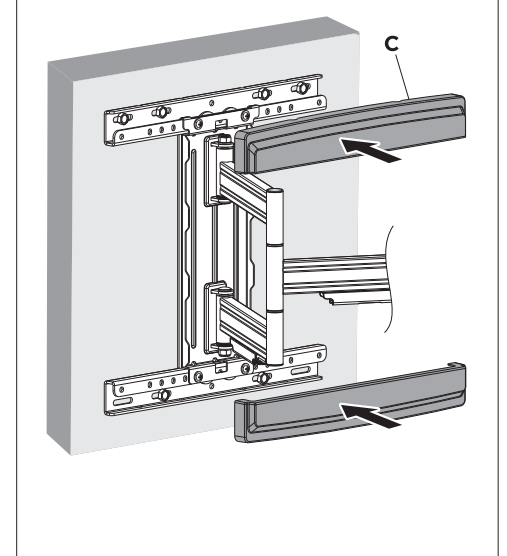
## 4. Attaching Mounting Plates

- 4.1. Position Security Plate **D** inside the upper Wall Plate rail, behind the Arm Assembly. Ensure the holes on the Arm Assembly, Wall Plate and Security Plate are aligned.
- 4.2. Screw the two Security Screws **E** through the Arm Assembly **A** and Wall Plate **B** into the Security Plate, using Washers **F** between the screws and the assembly.
- 4.3. Repeat with the second Security Plate **D** and the lower holes on the lower half of the Arm Assembly.



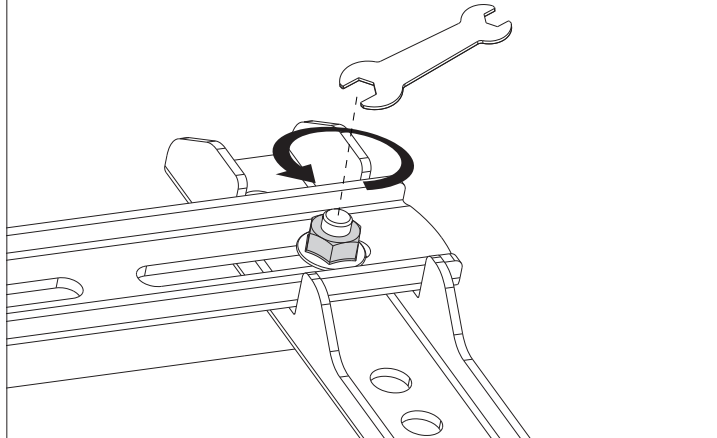
## 5. Attaching Covers to Mount

- 5.1. Conceal wall plate fasteners using Plastic Covers **C**. Gently apply even pressure until they snap in place.

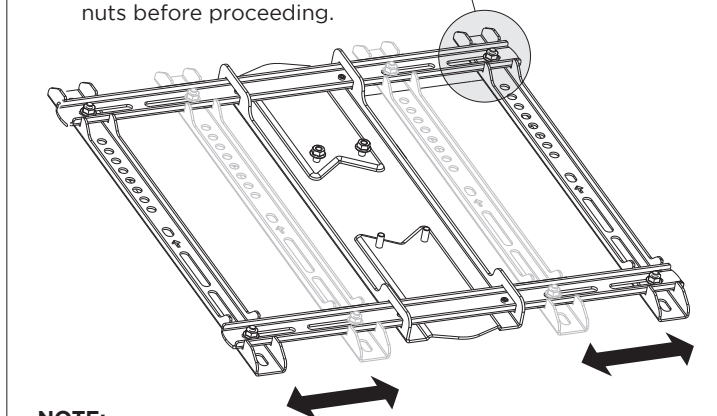


## 6. Adjust the width of the Display Bracket

- 6.1. Loosen the four nuts at each corner of the display bracket using Spanner **G** or a quality socket wrench tool.



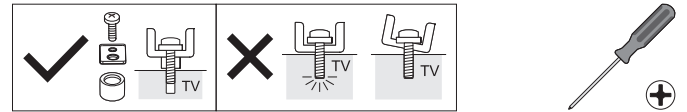
- 6.2. Adjust the spacing of the vertical brackets to suit your display and tighten the four nuts before proceeding.



**NOTE:**

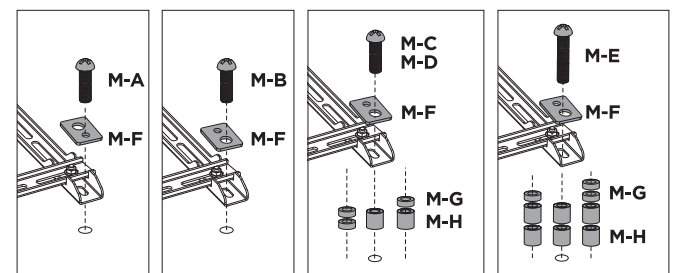
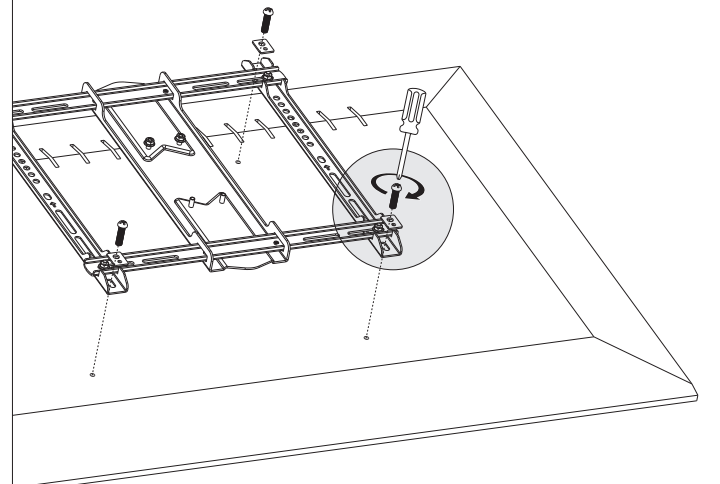
- Ensure vertical brackets are equispaced from the centre.

## 7. Attach the Display Bracket to the Display



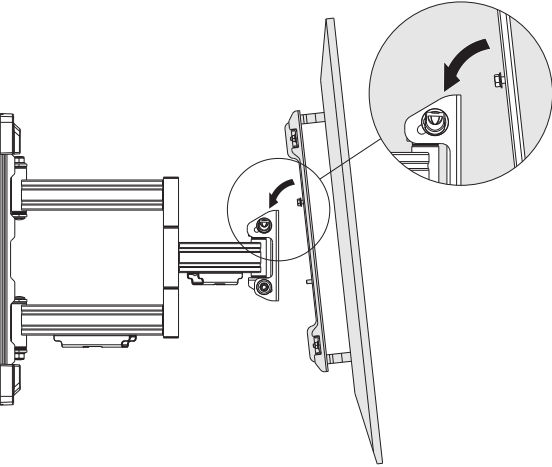
**NOTE:**

- Always use a multi-washer.
- Use the shortest combination of spacers (if necessary) ensuring the display is not loose and screws are not forced too deep into the display.

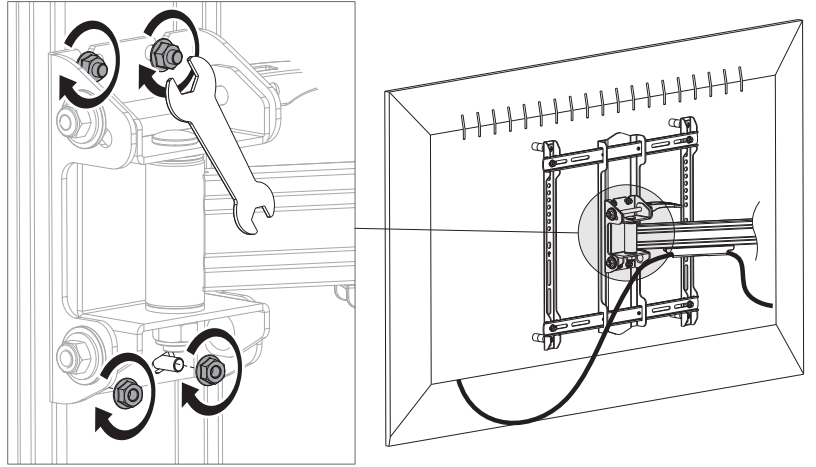


## 8. Hook the Display onto the Arm Assembly

**8.1.** Angle the display and hook the upper nuts on the rear of the Display Bracket to their corresponding slots on the Arm Assembly. See Step 2.1. This should be completed by two people.

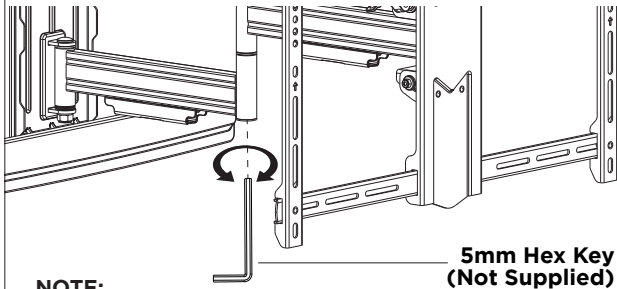


**8.2.** Securely tighten the upper nuts on the Display Bracket and replace the lower nuts removed in Step 2.2 using Spanner **G**.



## 9. Adjust the Arm Joint tension

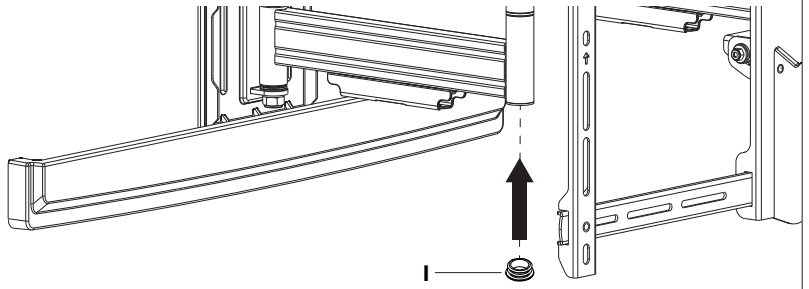
**9.1. (OPTIONAL)** To vary the force required to move the the display - use a 5mm Hex Key to tighten or loosen the Hex Screw at the bottom of the arm.



**NOTE:**

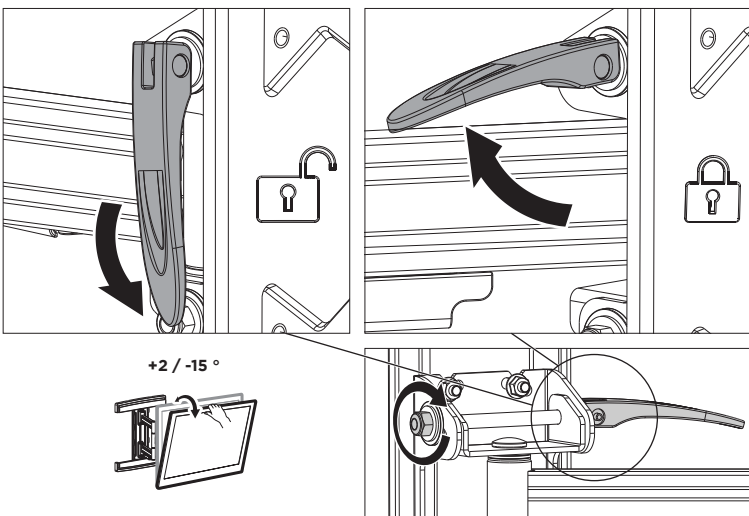
- Factory setting should suit a majority of installations.

**9.2.** To complete installation, use Arm Joint Cap **I** to conceal the the Arm tension screw.



## ADJUSTMENTS

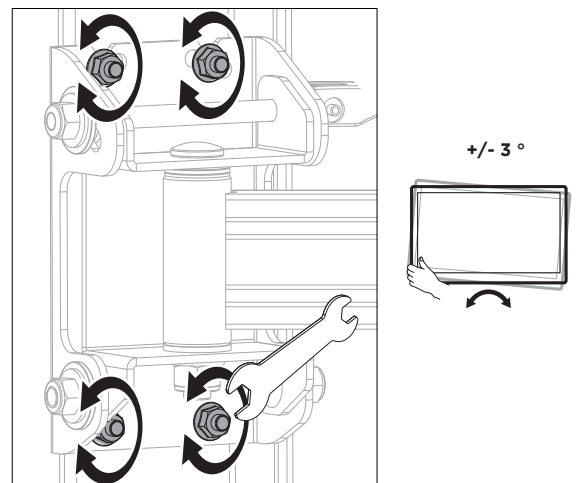
Display Tilt



**NOTE:**

For heavier displays, you may need to tighten the nut opposite the Lever using a Socket Wrench tool (not supplied).

Display Level / Rotation



**WARNING:**

Only loosen, do not remove the four nuts.