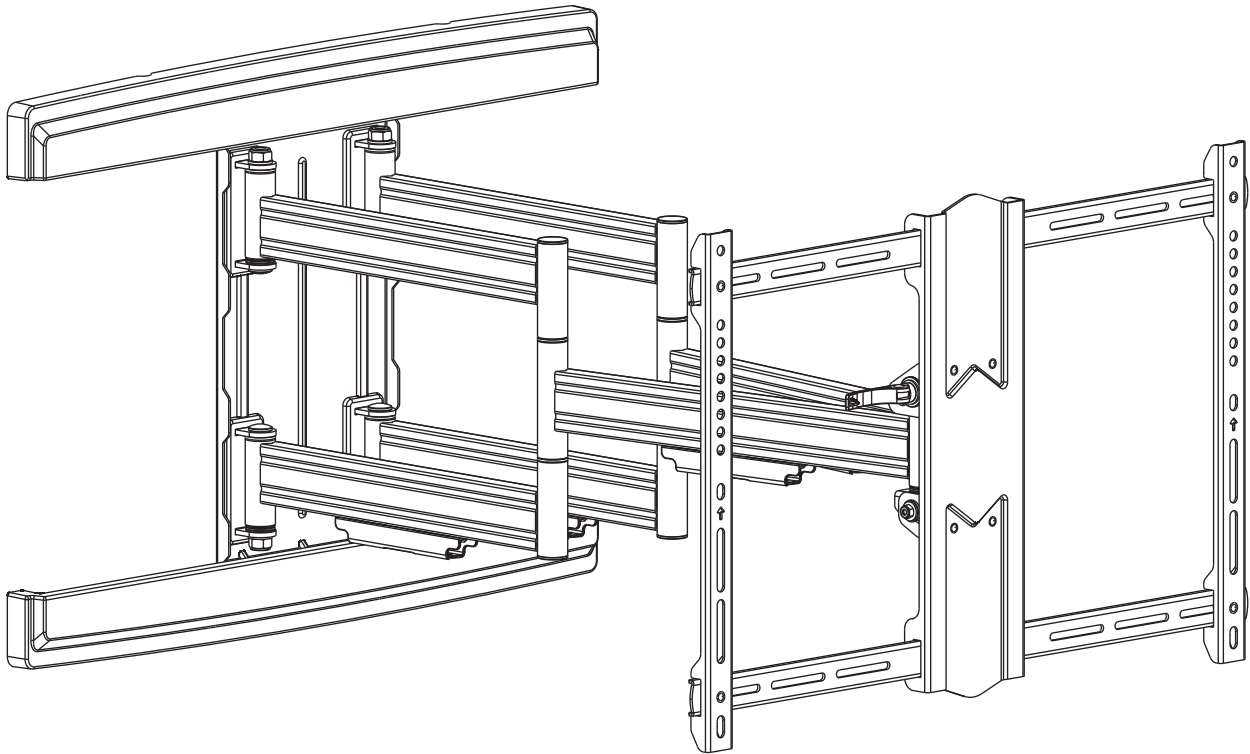


Full Motion Wall Mount 7060



FEATURES

- Slim profile suitable for contemporary interiors
- Designed for flexible operation with provision for adjustment of horizontal display position after installation
- Discreet cable management
- Toolless tilt tension adjustment
- Suitable for installation on most types of wall construction when paired with appropriate hardware (wall mounting hardware not included)
- Supplied with display mounting hardware and installation guide

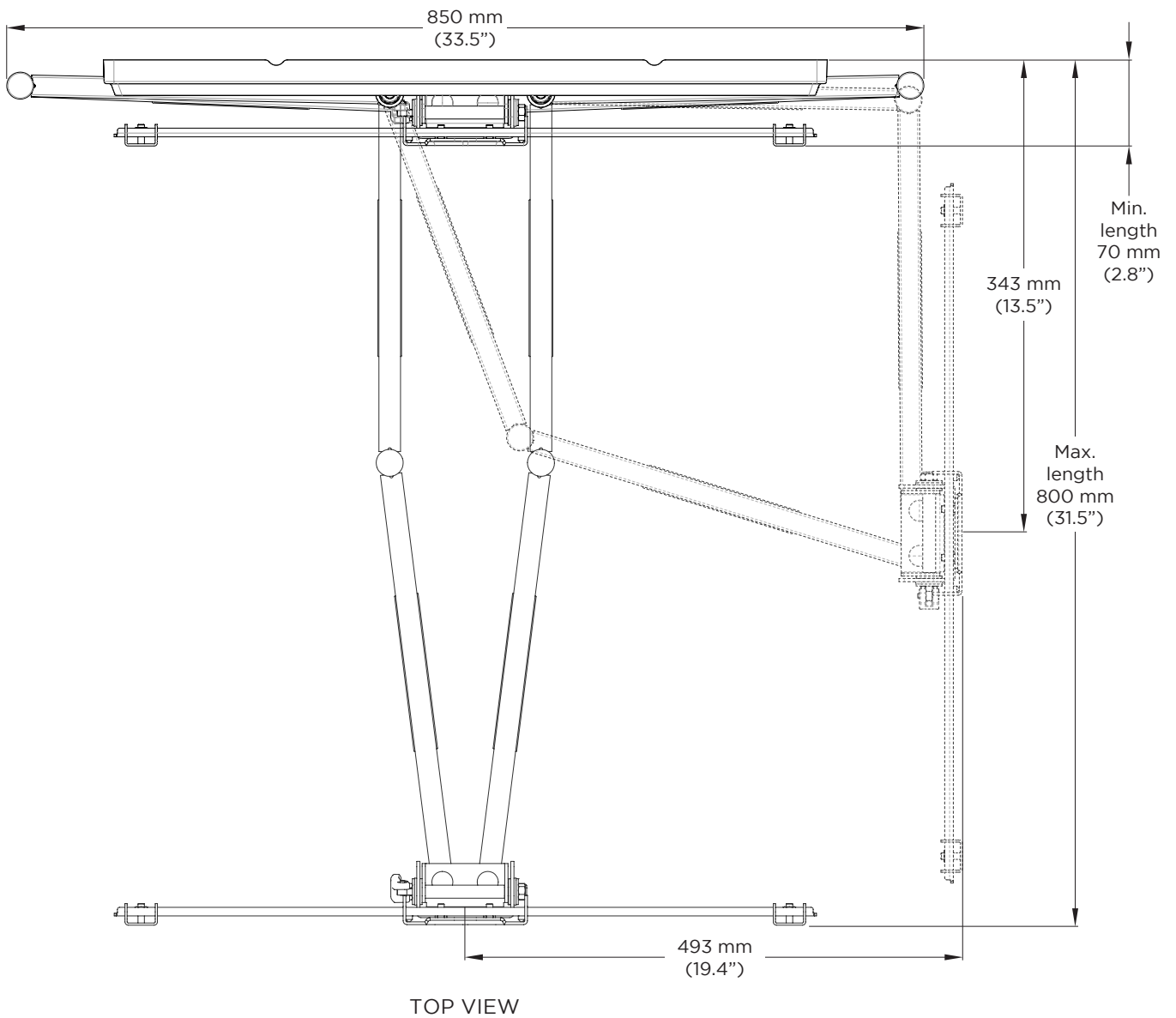
Display weight	0 - 70kg (0 - 154lb)*
Display size	32" - 70"
Minimum profile to wall	70mm (2.8")
Maximum extension	800mm (31.5")
Tilt adjustment	
Pan adjustment	+ 2° to - 15°
Rotation adjustment	+/- 90°
VESA mounting	+/- 3° 200x100 to 600x400

*Curved displays, deep devices, VESA mounted accessories (such as mini PC brackets and mounts), and offset VESA locations exert additional leverage that can exceed the capacity of the mount even though the display weight may be within the stated range. Please contact Atdec if you would like further information.

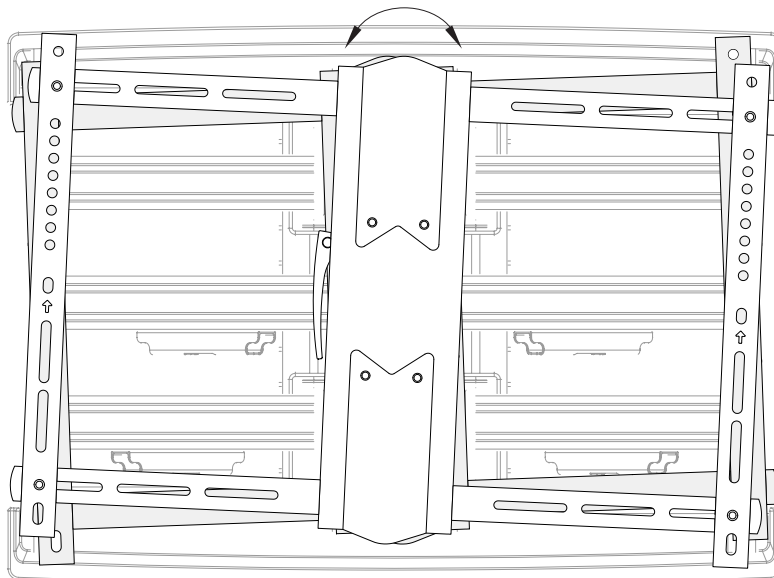
WARRANTY

10 years limited

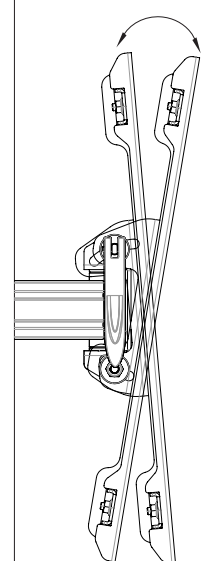
MOVEMENT



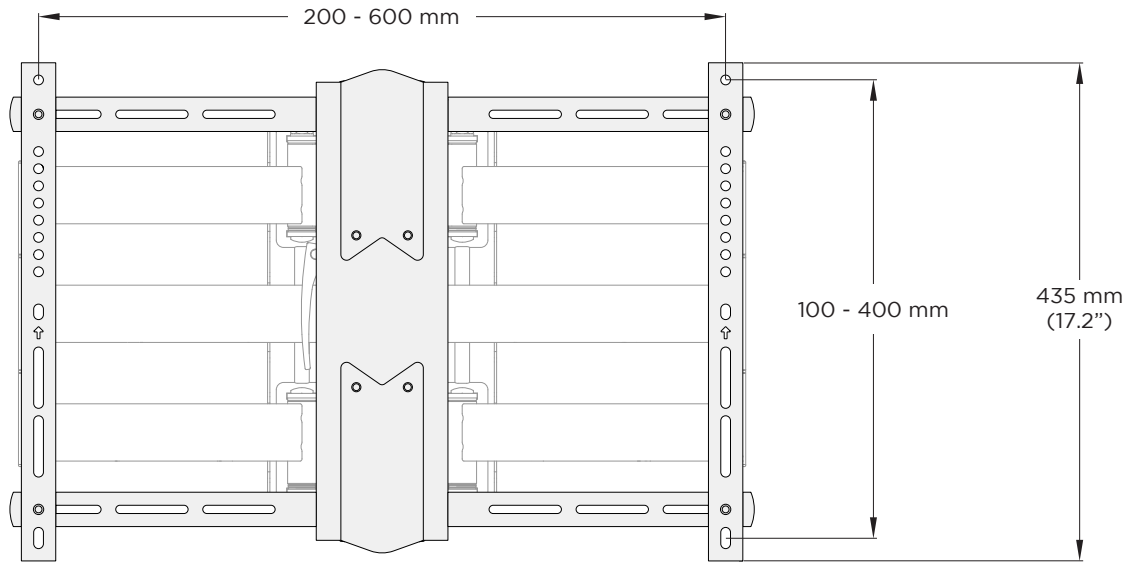
Rotation angle - 3° to + 3°



Tilt angle + 2° to - 15°



VESA DISPLAY BRACKET DIMENSIONS



WALL PLATE DIMENSIONS

