

The Telehook TH-TVCH heavy duty mobile TV cart is designed specifically for heavy weight touch screen up to 125kgs (275lbs). It allows for unobstructed access to touch screen displays by removing obstructive front mount supports and media shelves (Telehook media shelves, TH-TVS, can be purchased separately if required). It is designed for quick and easy assembly, includes internal cable management, lockable castors and can be upgraded to support a video conferencing camera shelf (TH-TVCB-CM). Mobile TV carts allow displays to be maneuvered between rooms quickly and easily, helping to cut down on costs by reducing the need to buy multiple displays.



Mounting hole pattern:
From 200mm to 800mm wide
From 200mm to 800mm high



Maximum weight carrying capacity:
125kg (275lbs)



Product key features:

- The perfect mobile mounting solution for large touch screen displays, presentations and digital signage
- Designed for heavy displays weighing up to 125kg (275lbs)
- Large universal mounting hole pattern to maximise compatibility
- Up to a 30° of adjustable tilt for a perfect viewing angle



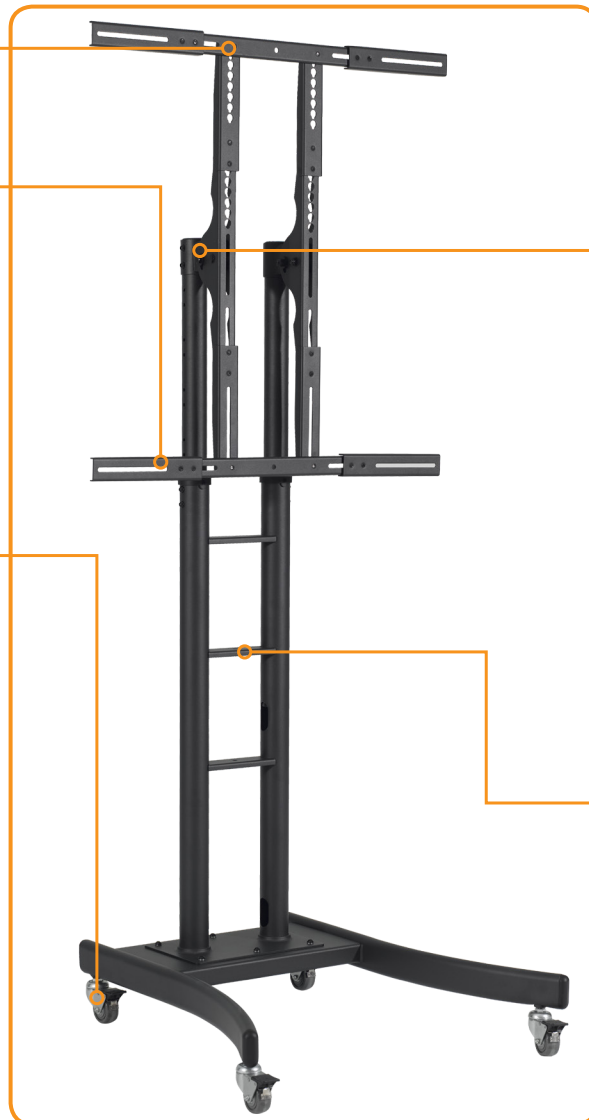
Portrait or Landscape TV Installation

From 1.1m up to 1.8m of display height adjustment

Easy to maneuver with lockable castors to secure the position



Internal cable management for clean and professional look



Can be upgraded to support a video conferencing camera shelf (TH-TVCB-CM), sold separately



Can be upgraded to support an AV shelf (TH-TVS) with three height adjustment positions, sold separately

Product information

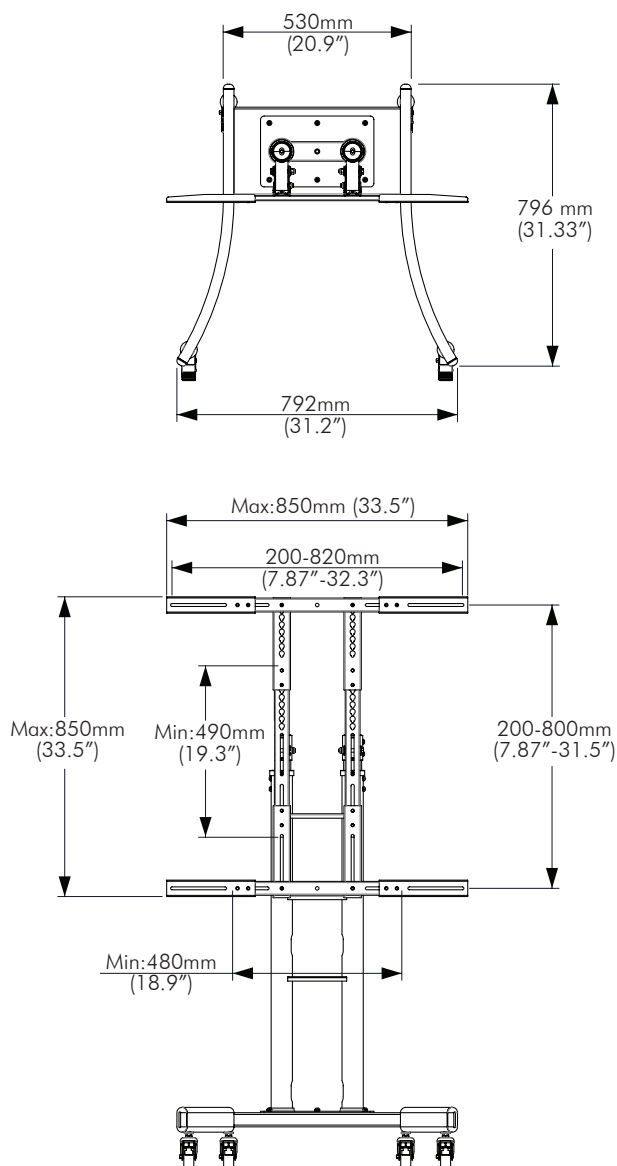
Product Code	Load capacity	Material	Colour
TH-TVCH	125kg (275lbs)	Steel	Dark Grey

Package information, single unit

Size	Ship weight	UPC code	Contents
109.5cm x 45cm x 83cm (43.1" x 17.7" x 32.7")	42.2kg (93lbs)	881493008601	All hardware required for installation supplied

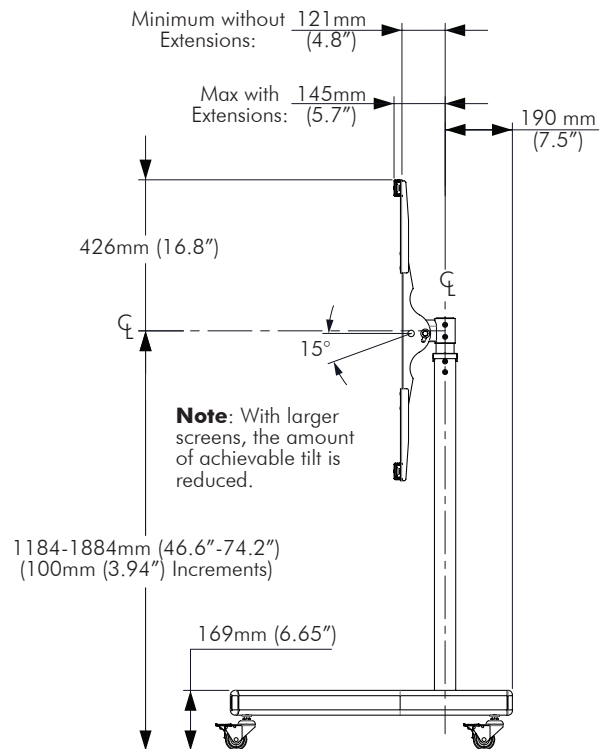
Technical drawings

Dimensions



Touchboards

205 Westwood Ave, Long Branch, NJ 07740
 Phone: 866-94 BOARDS (26273) / (732)-222-1511
 Fax: (732)-222-7088 | E-mail: sales@touchboards.com



Atdec mounts are designed, developed and tested in Australia. While all efforts have been made to ensure the information in this brochure was correct as of the date of printing, we reserve the right to change specifications without notice. Please refer to the website for our full range along with the latest details on specifications, compatibility and dealer location. Atdec and Telehook are registered trademarks with all rights reserved. Copyright January 2014.



Atdec Global www.atdec.com.au
 Atdec North America www.atdec.com