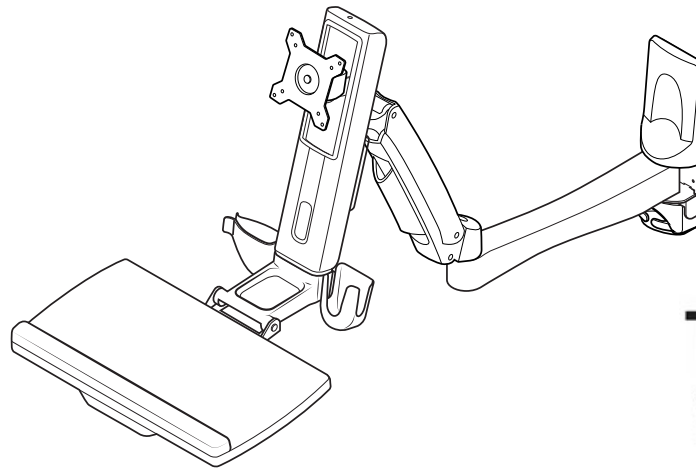


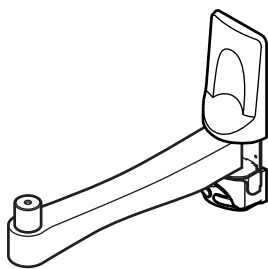
# Installation Instructions Sit-to-Stand Workstation

Wall Mounted

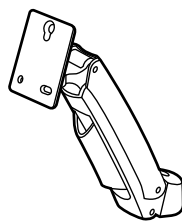


205 Westwood Ave, Long Branch, NJ 07740  
Phone: 866-94 BOARDS (26273) / (732)-222-1511  
Fax: (732)-222-7088 | E-mail: sales@touchboards.com

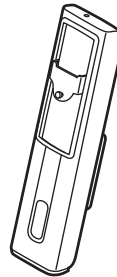
## Component Checklist



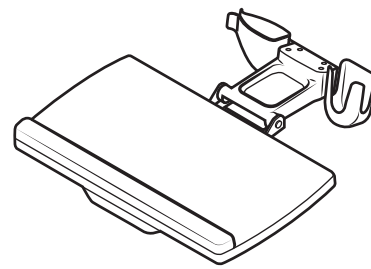
**A** Lower Arm



**B** Upper Arm



**C** Vertical Screen Slider



**D** Keyboard Tray

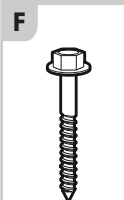


**E** Tilt Head

### Tools Required

- 8mm wrench
- Drill
- 10mm masonry bit
- 4.5mm drill bit
- Ratchet
- Spirit Level
- Stud Finder
- Pencil

### Wall Mounting Hardware

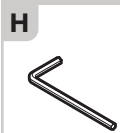


Coach Screw (x6)

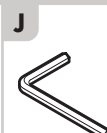


Nylon Anchor (x6)

### Hardware



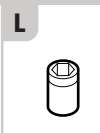
2.5mm Allen



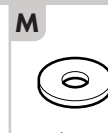
5mm Allen



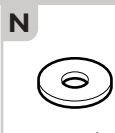
6mm Allen



8mm  
1/4" Drive



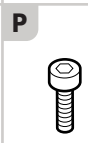
Plastic Washer (x1)



Metal Washer (x1)



M8X20 (x1)



M6X12 (x4)



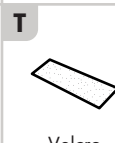
M6X10 (x3)



M6X8 (x1)



M4x10 (x4)



Velcro Strip (x2)

## IMPORTANT INFORMATION

### ! IMPORTANT - Install as per Installation Instructions

! The manufacturer accepts no responsibility for incorrect installation.

! This product supports a maximum load 8Kg (17.6lbs.)

! The wall mount can be installed on vertical, flat, solid concrete or brick walls, or timber stud walls only.

! The wall should be strong enough to sustain a weight of at least four times that of the display and wall mount bracket combined. If in doubt, consult a structural engineer.

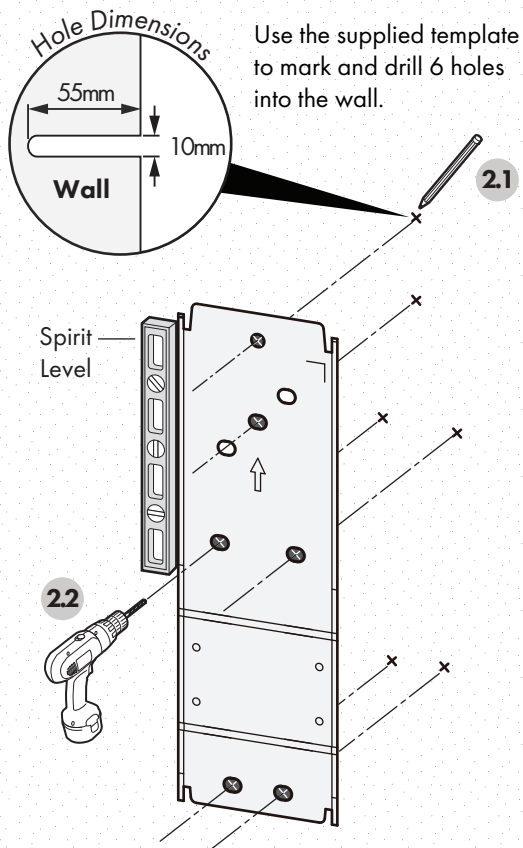
! Check wall anchors and screws every 3 months from the time of installation to ensure the workstation is firmly fixed to the wall.

! Tighten all screws (do not exert excessive force to avoid breaking the screws or damaging their thread)

## Step 1. Check Components

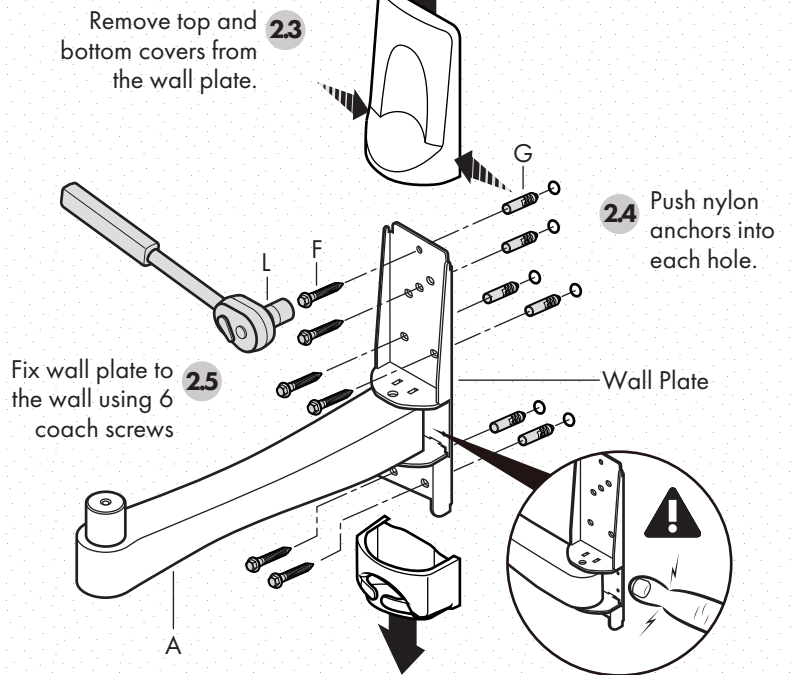
Check that you have received all parts against the Component Checklist.

**Step 2. Option A - Masonry or cement wall installation**



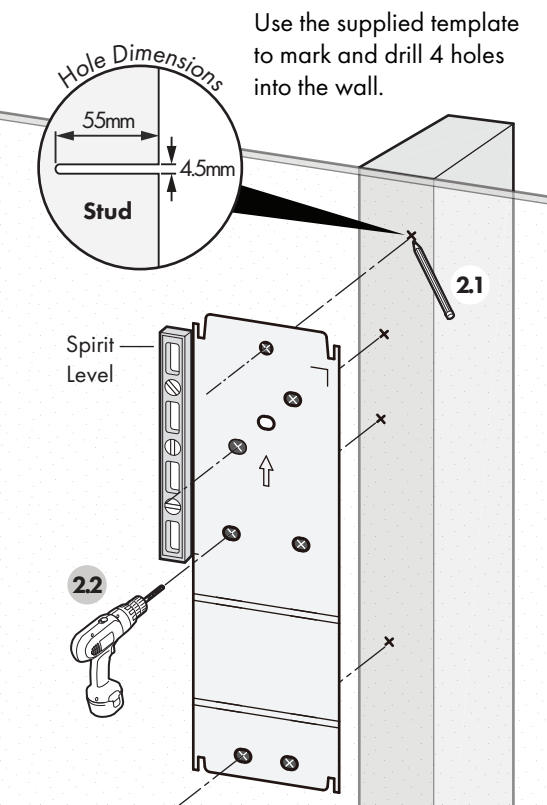
**Note:** For optimum performance, use a spirit level to ensure straight installation.

Two people required



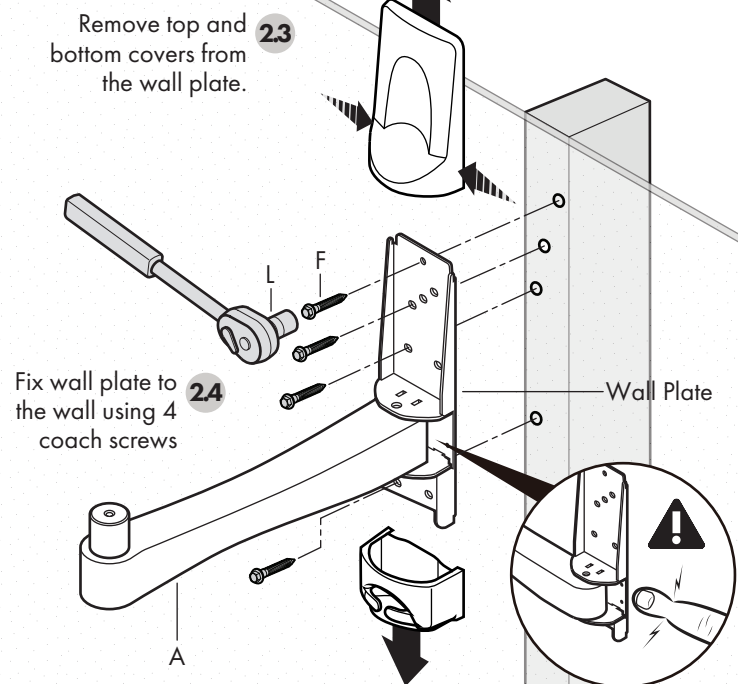
**Tip:** Screw in the top coach screw first.

**Step 2. Option B - Stud wall installation**



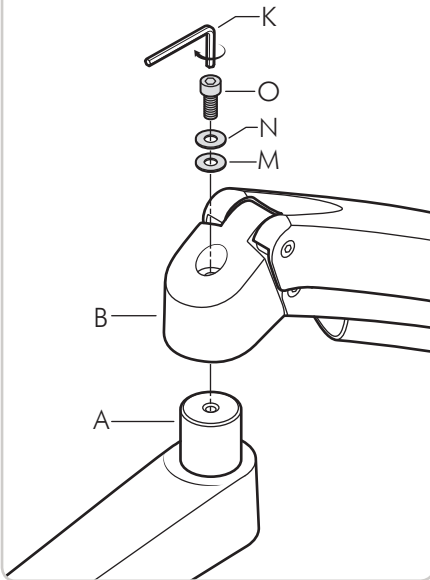
**Note:** Use a stud finder to ensure all holes are drilled into the stud.

Two people required

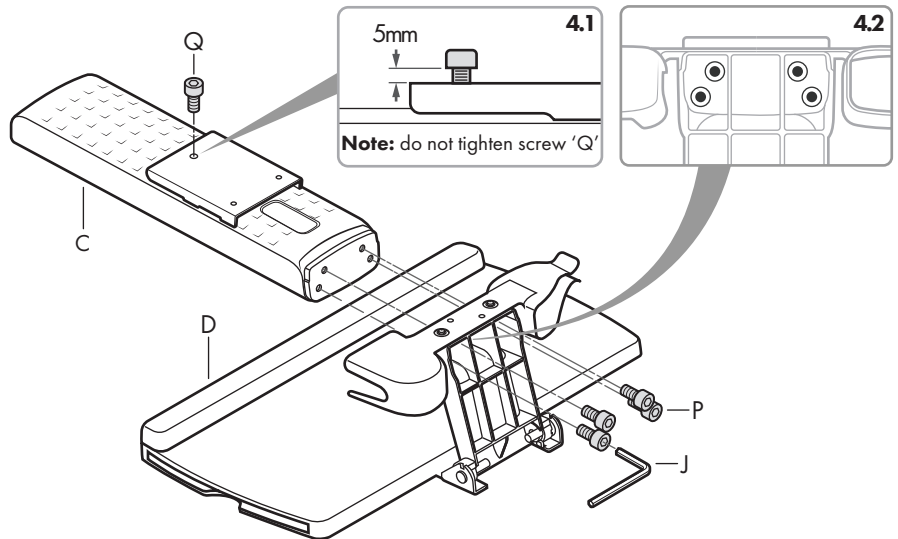


**Tip:** Screw in the top coach screw first.

### Step 3. Assemble upper arm

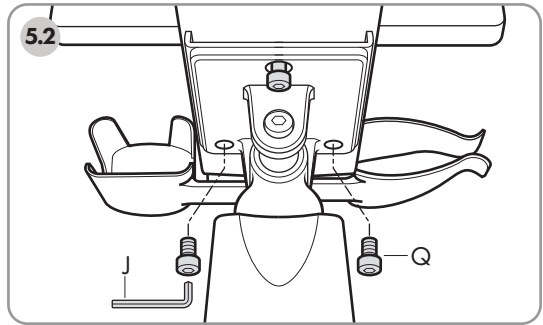
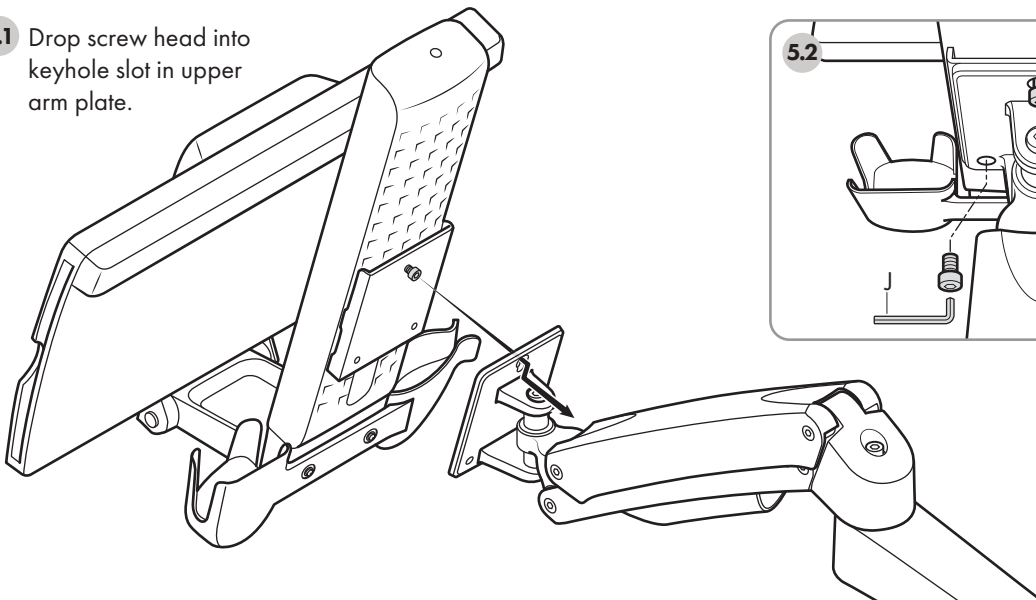


### Step 4. Assemble slider to keyboard tray

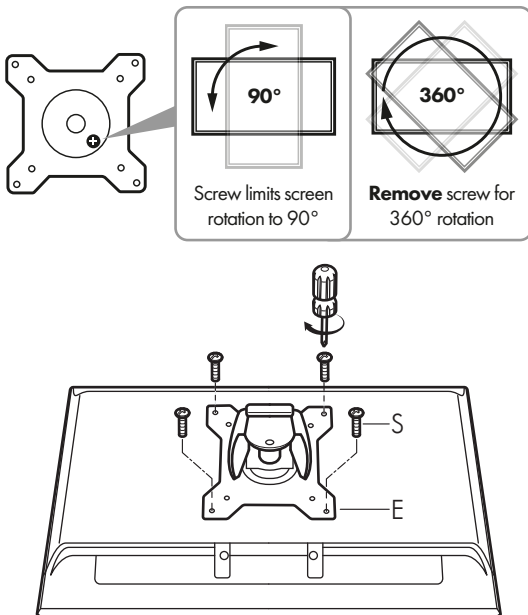


### Step 5. Assemble slider to keyboard tray

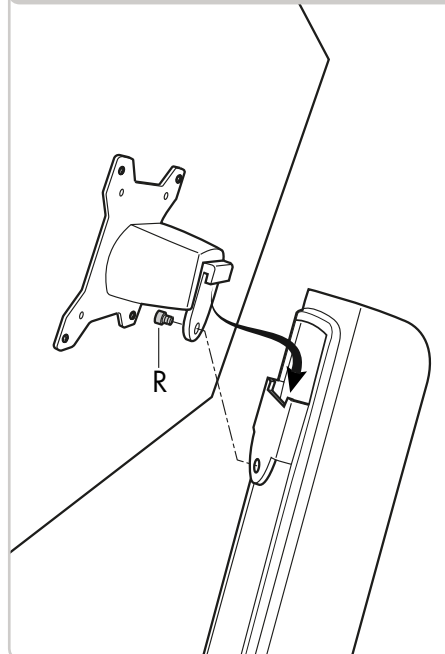
- 5.1 Drop screw head into keyhole slot in upper arm plate.



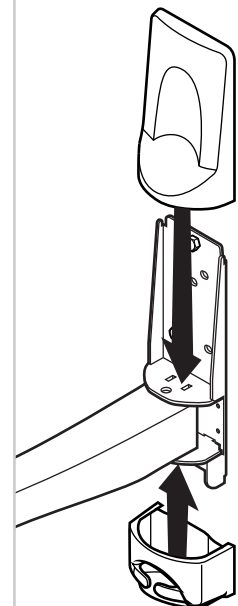
### Step 6. Attach tilting head to screen



### Step 7. Attach screen to arm

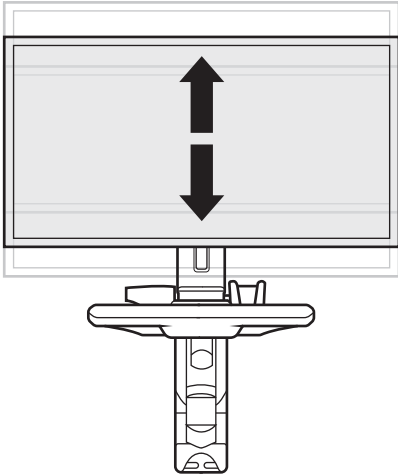


### Step 8. Replace covers

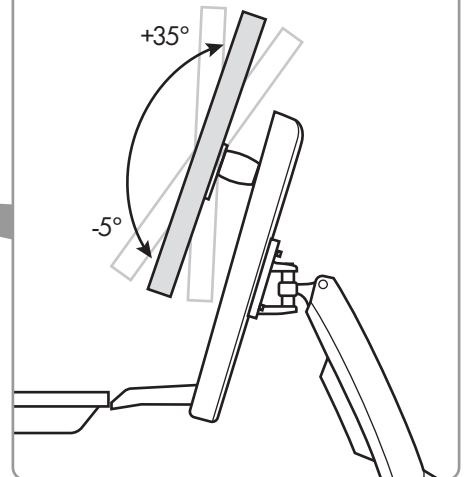


## Adjusting

### Screen Height Tension



### Screen Tilt Tension

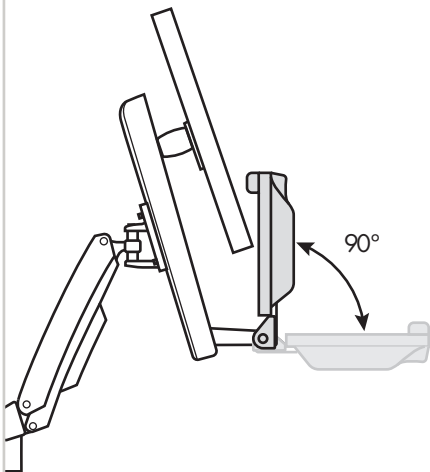


Tension Adjustment Points



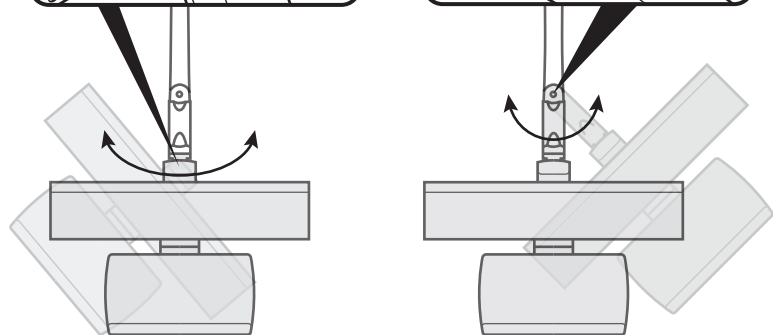
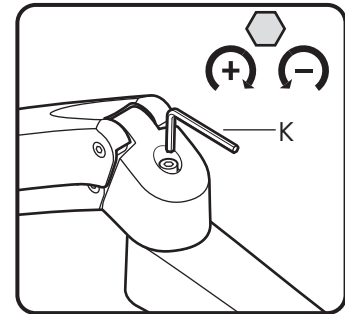
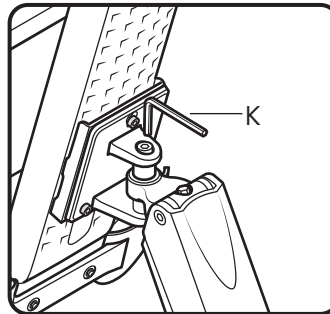
### Keyboard Tray Storage

The keyboard tray can be folded away for storage.



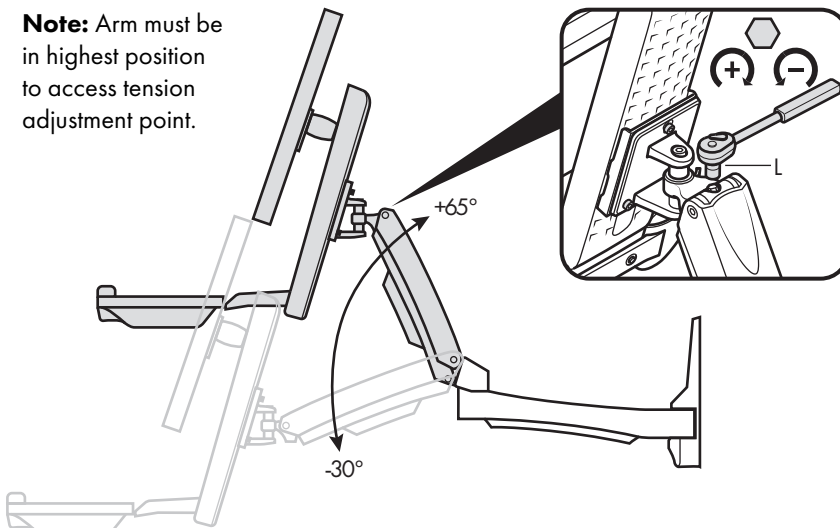
**Note:** Supplied velcro strips secure the keyboard when stowed.

### Arm Rotation Joint Tension

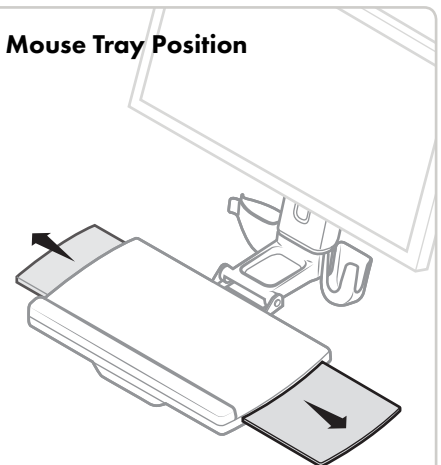


### Arm Height Tension

**Note:** Arm must be in highest position to access tension adjustment point.



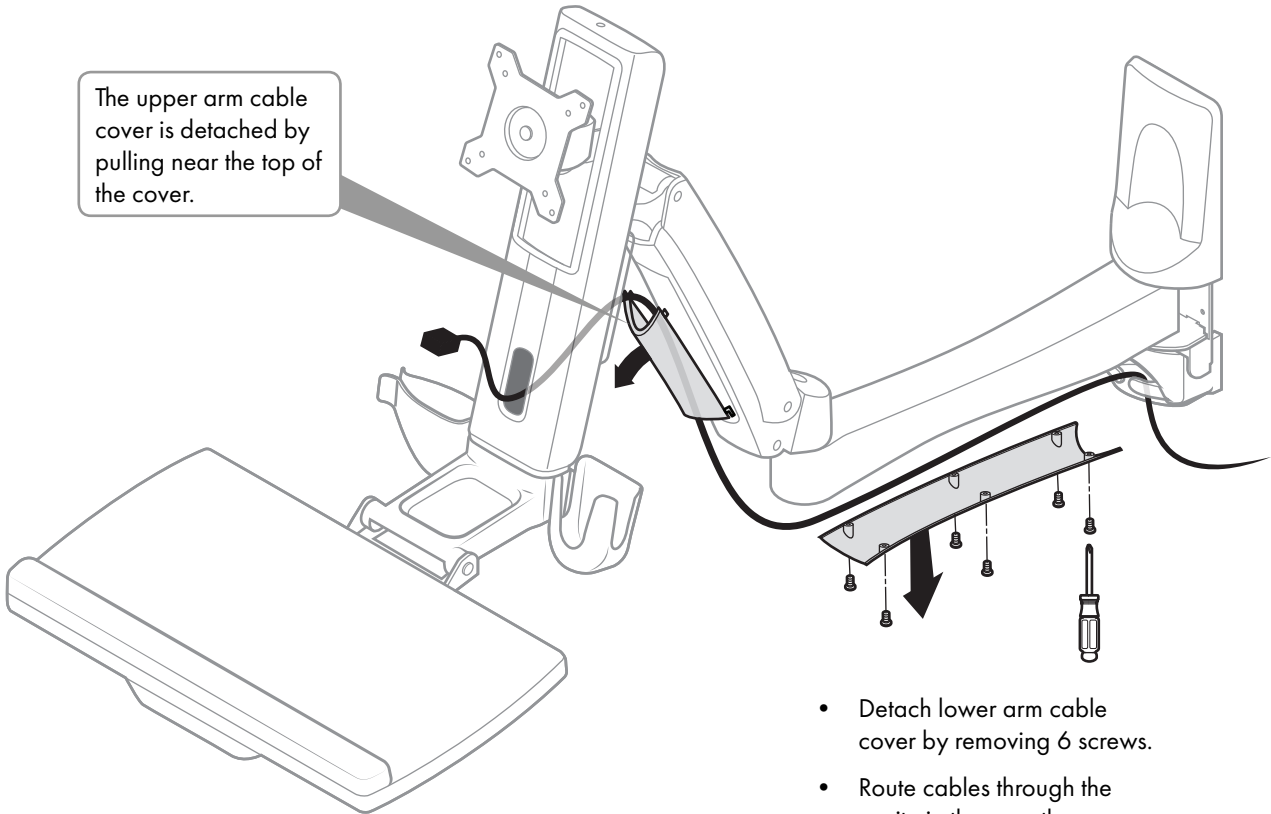
### Mouse Tray Position



The mouse tray can be positioned on the left or right of the keyboard tray.

### Cable Management. Route cables through arm.

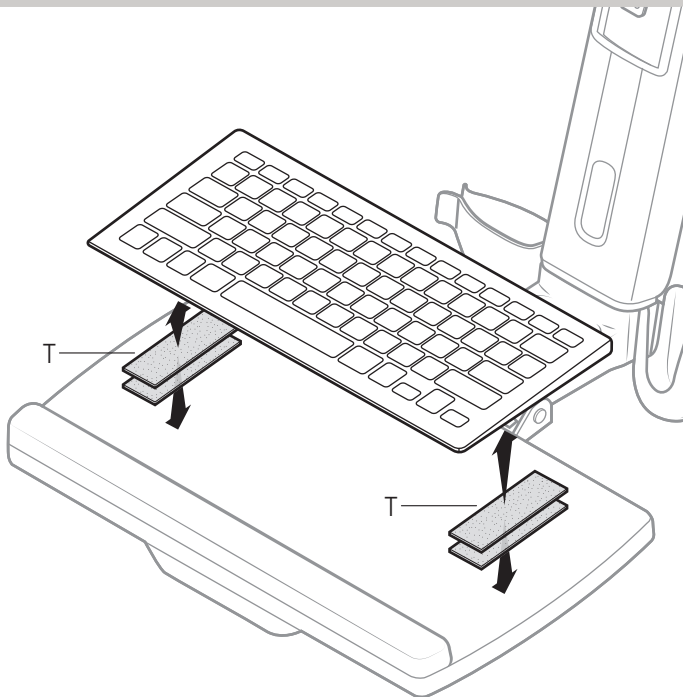
The upper arm cable cover is detached by pulling near the top of the cover.



- Detach lower arm cable cover by removing 6 screws.
- Route cables through the cavity in the arm, then reattach the cover.

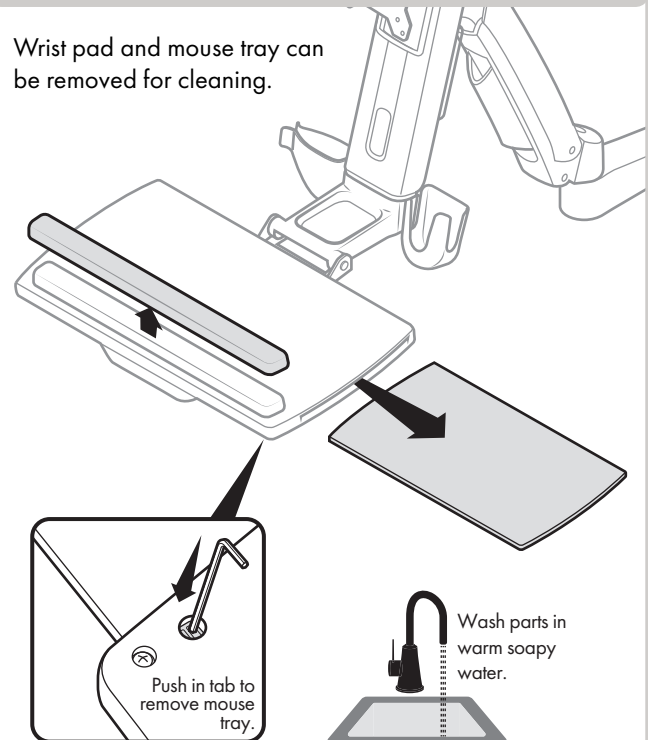
**Note:** Ensure there is sufficient slack in the cables to accommodate the workstation's range of movement.

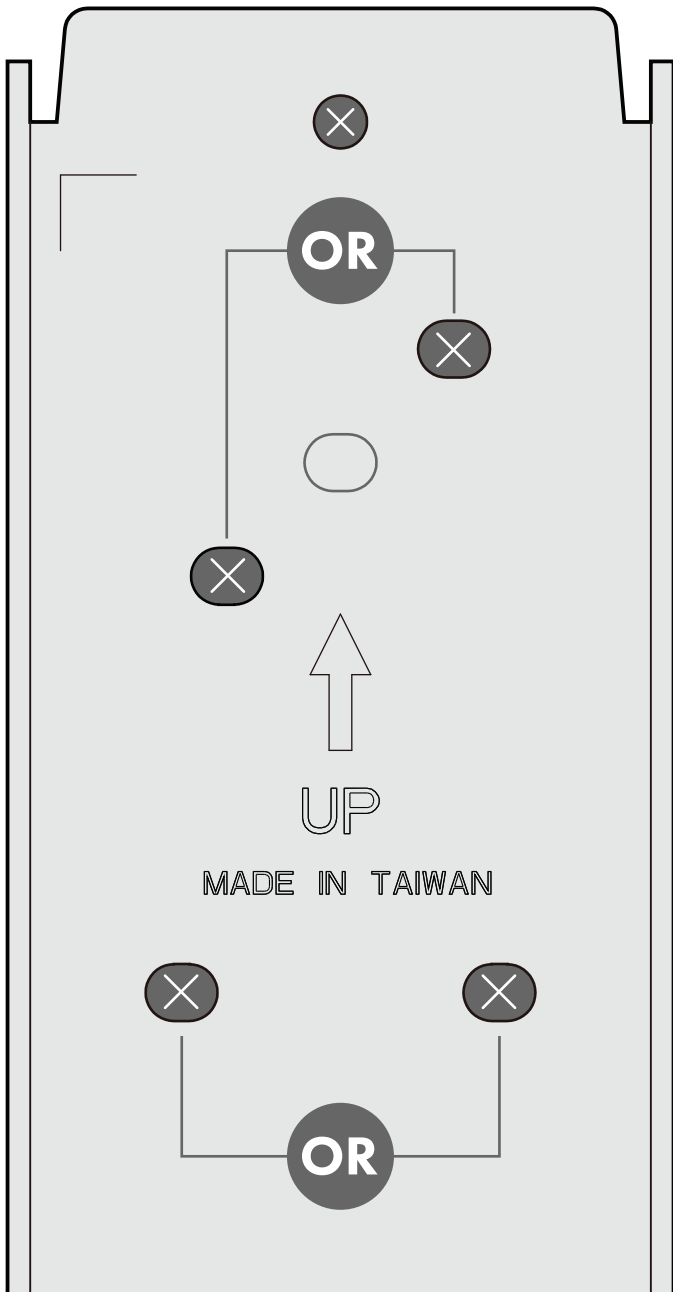
### Secure Keyboard Attach velcro to keyboard and tray



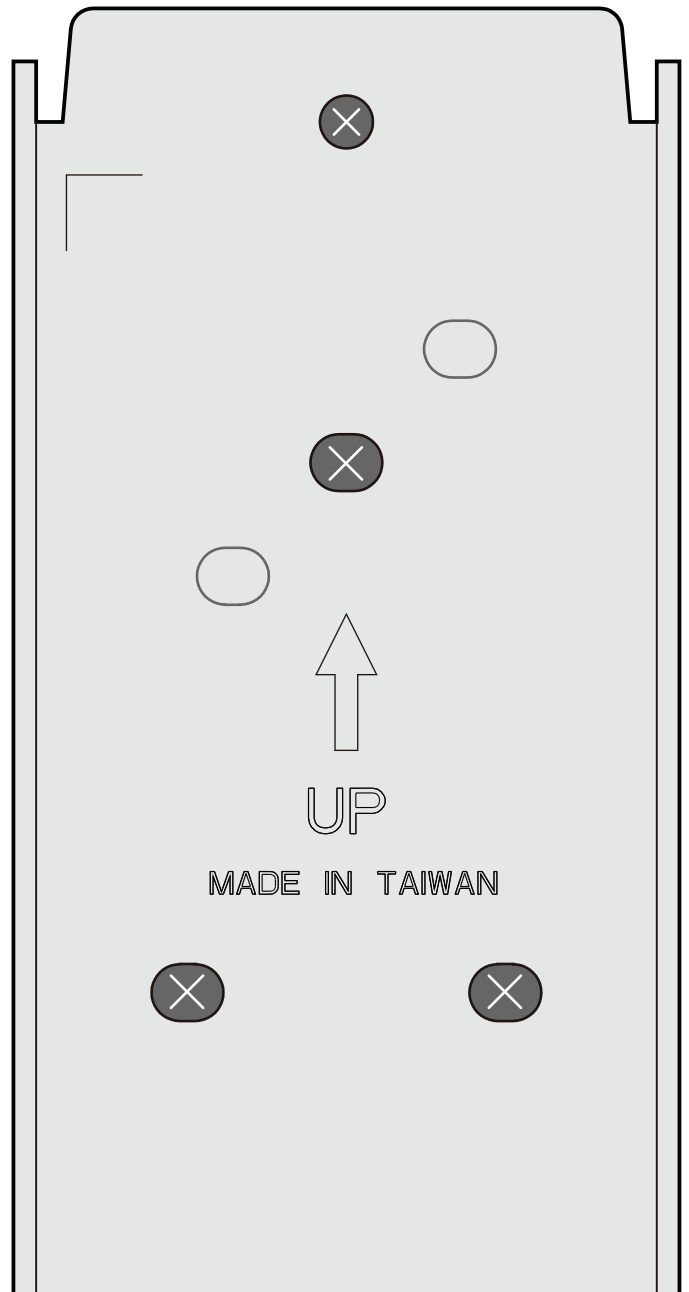
### Cleaning

Wrist pad and mouse tray can be removed for cleaning.





MADE IN TAIWAN



MADE IN TAIWAN



**Stud Wall**  
**Drilling Template**

Only drill holes marked with an 'X'



**Masonry Wall**  
**Drilling Template**

Only drill holes marked with an 'X'

