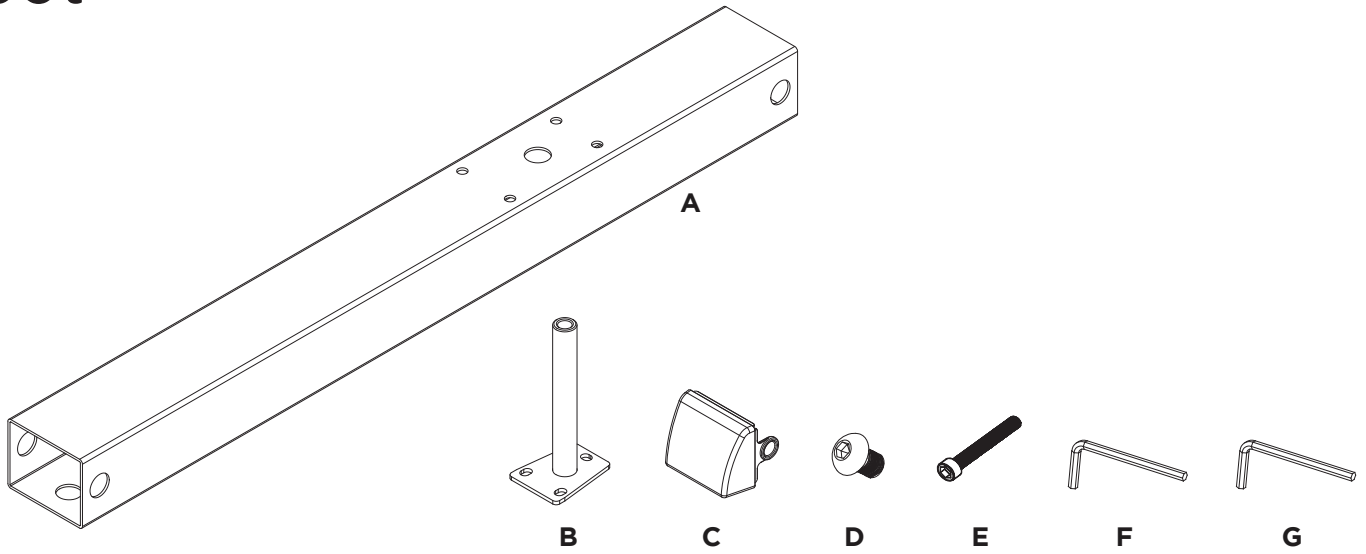


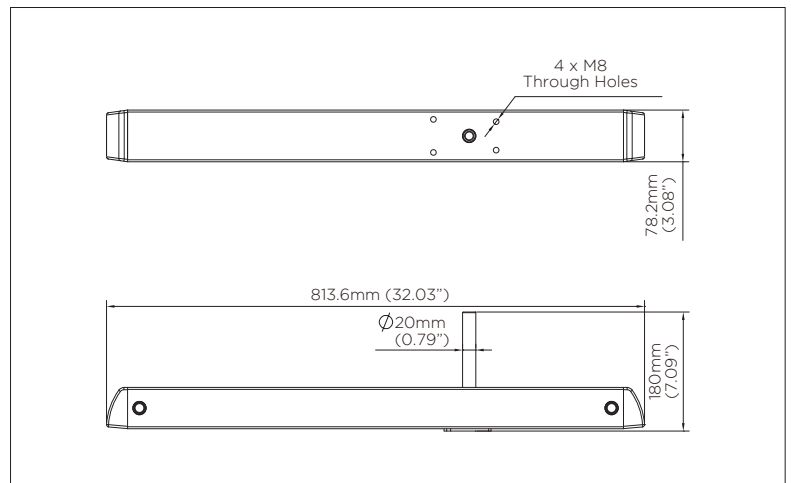
## Foot



### COMPONENT CHECKLIST

Item	Name	QTY
A	Foot Tube	1
B	Post Support	1
C	End Cap	2
D	M8 x 12mm Screw	3
E	M8 x 45mm Screw	4
F	5mm Allen Key	1
G	6mm Allen Key	1

### PRODUCT DIMENSIONS



### INSTALLATION INSTRUCTION

