

ADB-VWP

Pop-out video wall mount

The ADB-VWP is designed to make video wall installations as quick and simple as possible, this modular video wall mount can be used to create unlimited video wall configurations in both landscape and portrait format.

ADB VWP pop-out video video wall mount



From 100 to 400 wide
From 100 to 400 high
or up to 600 using
included brackets

110lb

Landscape or portrait
display installation

Simple "hook-on"
display attachment

Push to open/close
spring-assisted
design

Ideal video wall mount
for recessed walls

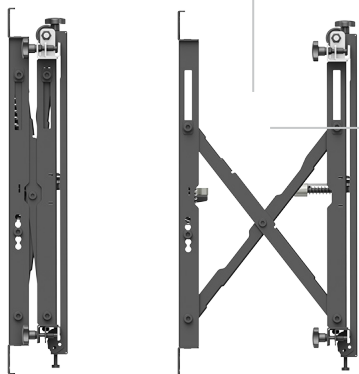


Tool-free post installation
adjustment at 4 corners:

- Horizontal +/- 0.28"
- Vertical travel of 0.39" up
- In-out +/- 0.39"

Adjustable pop-out force
with 5 position settings
for varying screen weights

Optional padlock security
(padlock not included)



Distance from wall:

- 3.46" closed
- 10.91" fully extended
- Provides space for wall-mounted devices up to 2.75" deep



10 year warranty

Technical Specification

ADB-VWP pop-out video video wall mount

Product code: ADB-VWP

Max load: 110lb

Material: steel

Colour: black

Warranty: 10 years

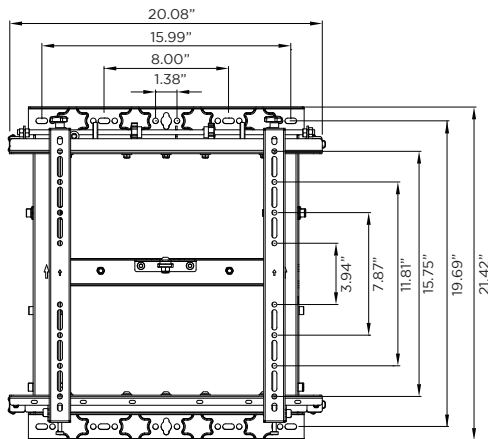
Packaging dimensions:

26" (L) x 23.6" (W) x 4.2" (H)

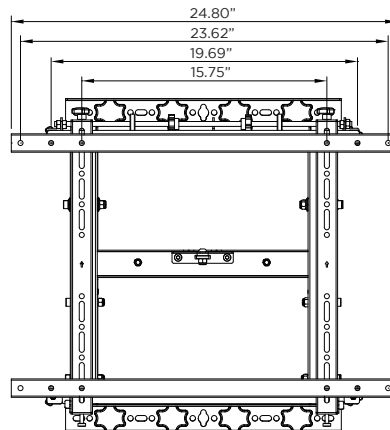
Ship weight: 34.2lb

UPC code: 881493016231

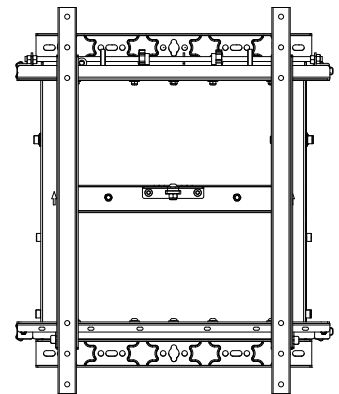
Front View



Without VESA Adaptor

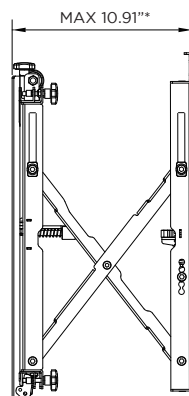


With VESA Adaptor (Landscape)

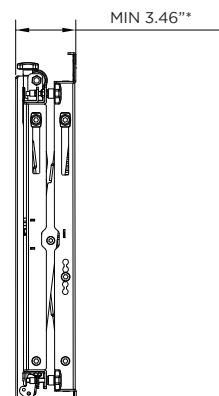


With VESA Adaptor (Portrait)

Side View



Extended



Closed

Note:

*Additional 0.59" when the VESA Adaptors are installed



Atdec Uncover™ is where our infinite mounting possibilities become your specific mounting solutions.



Call us on 888 303 4252
to discuss your next project or visit
atdec.com/digital-signage

ATDEC Infinite Mounting Possibilities

20427 - 87th Ave
South Kent WA 98031

Phone: 888 303 4252
Email: usasales@atdec.com