

## Single Arm Desktop Monitor Mount

### Mounting Options

Single Arm Desktop Monitor Mount includes Bolt Through and Desk Clamp mounting options.

#### Desk clamp

Suits desktop thicknesses of 0-76mm (0"-3")

#### Bolt Through

Suits desktop thicknesses of 12-40mm (0.5"-1.5")

### Display Mounting Options

Suits 100mm x 100mm mounting hole pattern

### Display Weight Compatibility

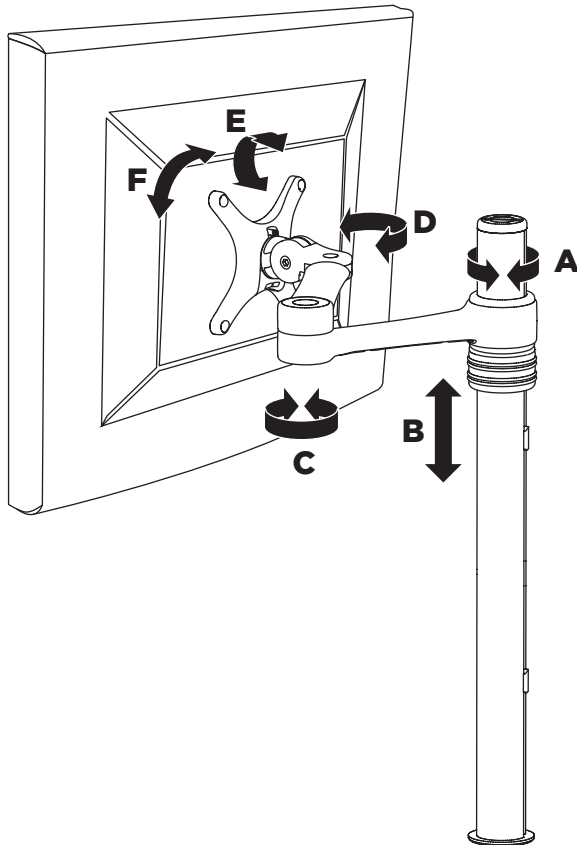
Max. 8kg (17.6lbs)

### Consist of

Monitor Arm  
Fasteners  
Mounting Hardware

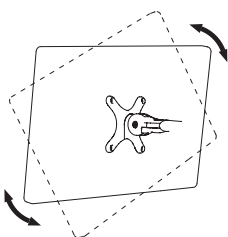
### Warranty

10 years limited



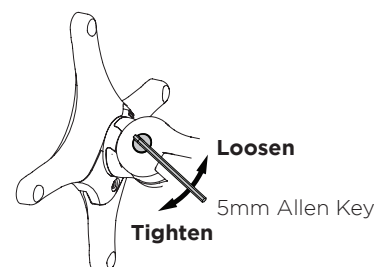
<b>A</b>	360° rotation around mounting pole/ 180° with rotation limiter
<b>B</b>	430mm (16.9") height adjustment range
<b>C</b>	360° articulation of arms
<b>D</b>	Pan 180°
<b>E</b>	Tilt ± 70°
<b>F</b>	± 95° Portrait/ Landscape Adjustment

#### Portrait/ Landscape



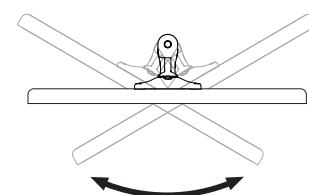
No Allen Key necessary

#### Tilt (Screen angle up/down)



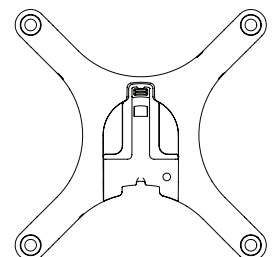
Note: Support Screen when adjusting tilt.

#### Pan (Screen angle left/right)

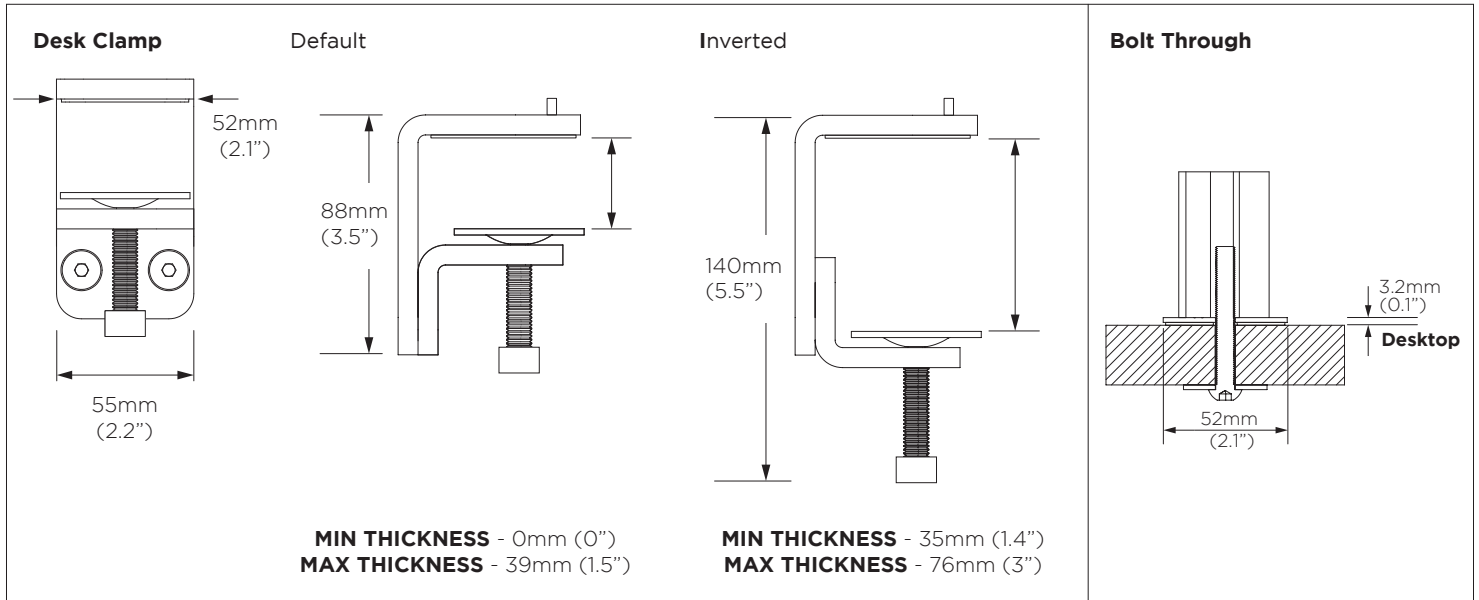


No Allen Key necessary

#### 100mm x 100mm VESA hole pattern



# Mounting Options



# Overall Dimensions

